

## XMLA300E2S11

lačna sklopka XMLA 300 bara – 1 fiksni prag – 1 C/O



### Glavno

|   |  |
|---|--|
| Range of product  | OsiSense XM  |
| Product or component type                               | Electromechanical pressure sensor  |
| Pressure sensor type                                    | Electromechanical pressure sensor  |
| Device short name                                       | XMLA   |
| Pressure sensor size                                    | 300 bar  |
| Controlled fluid  | Fresh water (0...160 °C)   |
| Fluid connection type                                   | G 1/4 (female) conforming to ISO 228   |
| Electrical connection                                   | Screw-clamps terminals 1 x 0.5...2 x 2.5 mm <sup>2</sup>   |
| AWG gauge   | AWG 20...AWG 14  |
| Cable entry   | Cable gland 9...13 mm  |
| Contacts type and composition                           | 1 C/O  |
| Product specific application                            | -  |
| Pressure switch type of operation                       | Detection of 1 single threshold  |
| Electrical circuit type                                 | Control circuit  |
| Scale type  | Fixed differential   |
| Local display   | With   |
| Adjustable range of switching point on rising pressure  | 20...300 bar   |
| Adjustable range of switching point on falling pressure | 3.5...265 bar  |
| Maximum permissible accidental pressure                 | 675 bar  |
| Destruction pressure                                    | 1350 bar   |
| Pressure actuator                                       | Piston   |
| Materials in contact with fluid                         | Brass<br>FPM, FKM<br>PTFE<br>316L stainless steel  |
| Enclosure material                                      | Zinc alloy   |
| [In] rated current                                      | 3 A, B300, AC-15 (U <sub>e</sub> = 120 V) conforming to EN/IEC 60947-5-1<br>1.5 A, B300, AC-15 (U <sub>e</sub> = 240 V) conforming to EN/IEC 60947-5-1<br>0.1 A, R300, DC-13 (U <sub>e</sub> = 250 V) conforming to EN/IEC 60947-5-1 |

### Komplementarno

|  |   |
|--|---|
| Natural differential at low setting      | 16.5 bar (+/- 3 bar)  |
| Natural differential at high setting     | 35 bar (+/- 6 bar)  |
| Maximum permissible pressure - per cycle | 375 bar   |
| Terminal block type                      | 4 terminals   |
| Operating rate                           | 60 cyc/mn   |
| Repeat accuracy                          | < 2 %   |
| [Ui] rated insulation voltage            | 500 V conforming to EN/IEC 60947-1<br>300 V conforming to UL 508<br>300 V conforming to CSA C22.2 No 14 |
| [Uimp] rated impulse withstand voltage   | 6 kV conforming to EN/IEC 60947-1   |
| Auxiliary contacts operation             | Snap action   |
| Contacts material                        | Silver contacts   |
| Resistance across terminals              | < 25 mOhm conforming to IEC 255-7 category 3  |

Informacije dane u ovoj dokumentaciji sadrže opće i/ili tehničke karakteristike o performansama ovdje sadržanih proizvoda. Ova dokumentacija nije namijenjena kao zamjena za niti bi se trebala koristiti za određivanje prikladnosti ili pouzdanosti predmetnih proizvoda za konkretne korisničke primjene. Svaki takav korisnik ili integrator dužan je provesti odgovarajuću i popunivu analizu rizika, procjenu i ispitivanje proizvoda u odnosu na odgovarajuću specifičnu primjenu ili uporabu istog. Niti društvo Schneider Electric Industries SAS niti bilo koje od njegovih povezanih poduzeća ili podružnica neće preuzeti obvezu ili snositi odgovornost za pogrešnu upotrebu ovdje sadržanih informacija.

|                          |  |
|--------------------------|--|
|                          | < 25 mOhm conforming to NF C 93-050 method A |
| Short-circuit protection | 10 A cartridge fuse type gG (gl)             |
| Mechanical durability    | 3000000 cycles                               |
| Setting                  | External                                     |
| Height                   | 113 mm                                       |
| Depth                    | 75 mm  |
| Width                    | 35 mm  |
| Product weight           | 0.75 kg                                      |

## Okolina

|                                       |  |
|---------------------------------------|--|
| standards                             | CE<br>EN 60947-5-1<br>EN/IEC 60947-5-1<br>IEC 60947-5-1<br>UL 508<br>CSA C22.2 No 14                 |
| product certifications                | BV<br>CCC<br>CSA<br>LROS (Lloyds register of shipping)<br>UL<br>EAC                                  |
| protective treatment                  | TC (standard version)  |
| ambient air temperature for operation | -25...70 °C  |
| ambient air temperature for storage   | -40...70 °C  |
| operating position                    | Any position   |
| vibration resistance                  | 4 gn (f = 30...500 Hz) conforming to IEC 60068-2-6   |
| shock resistance                      | 50 gn conforming to IEC 60068-2-27   |
| electrical shock protection class     | Class I conforming to IEC 1140<br>Class I conforming to IEC 536<br>Class I conforming to NF C 20-030 |
| IP degree of protection               | IP66 conforming to EN/IEC 60529  |

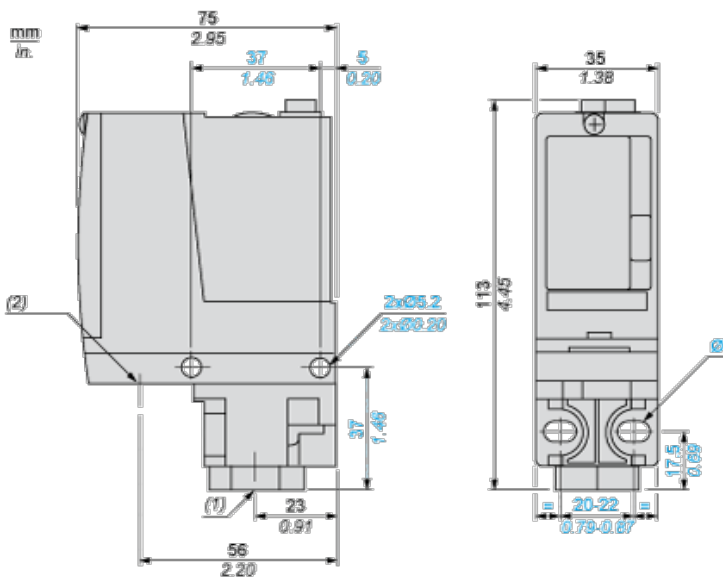
## Offer Sustainability

|   |   |
|---|---|
| Not Green Premium product   | Not Green Premium product   |
| Compliant - since 0928 - Schneider Electric declaration of conformity | Compliant - since 0928 - Schneider Electric declaration of conformity |
| Reference not containing SVHC above the threshold                     | Reference not containing SVHC above the threshold                     |
| Need no specific recycling operations                                 | Need no specific recycling operations                                 |

## Contractual warranty

|                 |           |
|-----------------|-----------|
| Warranty period | 18 months |
|-----------------|-----------|

## Dimensions



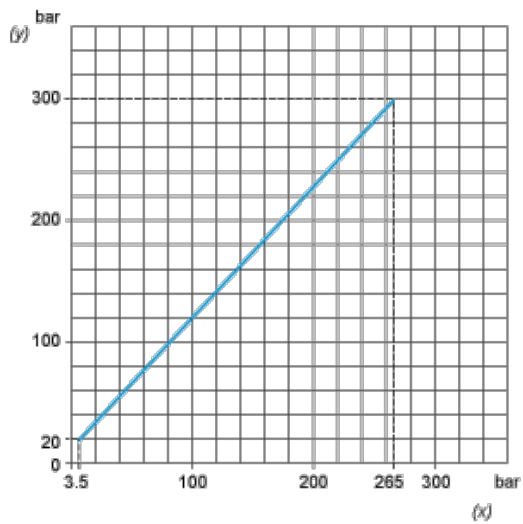
- (1) 1 fluid entry, tapped G1/4 (BSP female)
- (2) 1 electrical connections entry, tapped Pg 13.5
- Ø : 2 elongated holes Ø 5.2 x 6.7

## Wiring Diagram

### Terminal Model



## Operating Curves



- (y) Rising pressure
- (x) Falling pressure



(y) Pressure

(x) Time

(1) Adjustable value

(2) Non adjustable value

PH : High point

PB : Below point