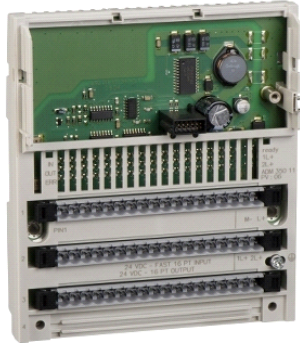


## 170ADM69051

odvojeni U/I modul Modicon Momentum – 10U / 8I  
poluvodič



### Glavno

|                           |  |
|---------------------------|--|
| Range of product          | Modicon Momentum automation platform         |
| Product or component type | Discrete triac I/O base AC                   |
| Group of channels         | 1 group of 10 inputs<br>1 group of 8 outputs |
| Discrete input number     | 10 IEC 1131-2 Type 2                         |
| Discrete input logic      | Positive                                     |
| Discrete input voltage    | 120 V AC                                     |
| Discrete output number    | 8  |
| Discrete output type      | Triac  |
| Discrete output voltage   | 120...132 V DC                               |
| Discrete output logic     | Positive                                     |
| Protective treatment      | TC   |

### Komplementarno

|                                    |  |
|------------------------------------|--|
| [Us] rated supply voltage          | 120 V AC   |
| Input voltage limits               | 74...132 V   |
| Network frequency                  | 47...63 Hz   |
| Voltage state 0 guaranteed         | < 20 V   |
| Voltage state 1 guaranteed         | > 74 V   |
| Current state 0 guaranteed         | <= 2.6 mA  |
| Current state 1 guaranteed         | >= 6 mA  |
| Input resistance                   | 4 kOhm   |
| Discrete output current            | 2 A per group<br>4 A per module<br>30 mA...0.5 A per point   |
| Leakage current                    | < 1.3 mA 120 V output circuit  |
| Voltage drop                       | < 1.5 V 0.5 A at state 1 output circuit  |
| Operating rate                     | 3000 cyc/h 0.5 A inductive   |
| Response time                      | 1/2 x 1/f from state 0 to state 1 on input<br>1/2 x 1/f from state 0 to state 1 on output<br>1/2 x 1/f from state 1 to state 0 on input<br>1/2 x 1/f from state 1 to state 0 on output |
| Isolation between channels and bus | 1780 V AC  |
| Power dissipation                  | <= 8 W<br>6 W  |
| Protection type                    | Internal 2 x 2.5 A slow-blow fuses   |
| Marking                            | CE   |
| Terminals description PLC n°1      | (1)IN_DIS#1<br>(10)IN_DIS#10<br>(2)IN_DIS#2<br>(3)IN_DIS#3<br>(4)IN_DIS#4<br>(5)IN_DIS#5<br>(6)IN_DIS#6<br>(7)IN_DIS#7<br>(8)IN_DIS#8<br>(9)IN_DIS#9<br>(L1)PW<br>(N)PW<br>TB          |

Informacije dane u ovoj dokumentaciji sadrže opće opise i/ili tehničke karakteristike o performansama ovdje sadržanih proizvoda. Ova dokumentacija nije namijenjena kao zamjena za niti bi se trebala koristiti za određivanje prikladnosti ili pouzdanosti predmetnih proizvoda za konkretne korisničke primjene. Svaki takav korisnik ili integrator dužan je provesti odgovarajuću i poplunu analizu rizika, procjenu i ispitivanje proizvoda u odnosu na odgovarajuću specifičnu primjenu ili uporabu istog. Niti društvo Schneider Electric Industries SAS niti bilo koje od njegovih povezanih poduzeća ili podružnica neće preuzeti obvezu ili snositi odgovornost za pogrešnu upotrebu ovdje sadržanih informacija.

Terminals description PLC n°2

(1)OUT\_DIS#1  
 (1L1)PW  
 (1N)PW  
 (2)OUT\_DIS#2  
 (3)OUT\_DIS#3  
 (4)OUT\_DIS#4  
 (5)OUT\_DIS#5  
 (6)OUT\_DIS#6  
 (7)OUT\_DIS#7  
 (8)OUT\_DIS#8  
 TB\_1

|                     |                 |
|---------------------|-----------------|
| Current consumption | 160 mA 120 V AC |
| Depth               | 47.5 mm         |
| Height              | 141.5 mm        |
| Width               | 125 mm          |
| Product weight      | 0.22 kg         |

## Okolina

|                                       |   |
|---------------------------------------|---|
| product certifications                | CSA<br>UL                                       |
| resistance to electrostatic discharge | 4 kV contact IEC 801-2<br>8 kV on air IEC 801-2 |
| resistance to electromagnetic fields  | 10 V/m 80...1000 MHz IEC 801-3                  |
| ambient air temperature for operation | 0...60 °C                                       |
| ambient air temperature for storage   | -40...85 °C                                     |
| relative humidity                     | 95 % without condensation                       |
| operating altitude                    | <= 5000 m                                       |

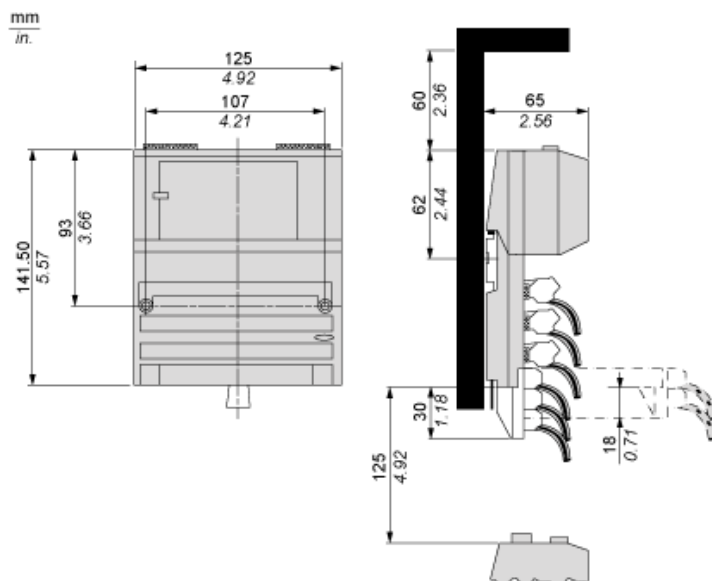
## Offer Sustainability

|   |   |
|---|---|
| Green Premium product   | Green Premium product   |
| Compliant - since 1350 - Schneider Electric declaration of conformity | Compliant - since 1350 - Schneider Electric declaration of conformity |
| Reference not containing SVHC above the threshold                     | Reference not containing SVHC above the threshold                     |
| Available   | Available   |
| Available   | Available   |

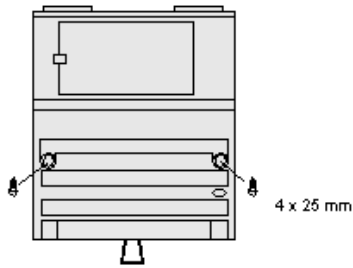
## Contractual warranty

|                 |           |
|-----------------|-----------|
| Warranty period | 18 months |
|-----------------|-----------|

## Standard Adapter on a Discrete VAC Base

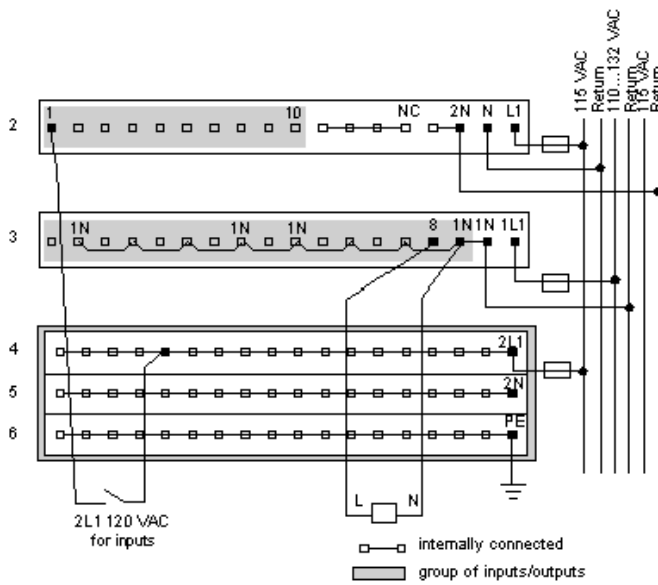


## Mounting on a Wall

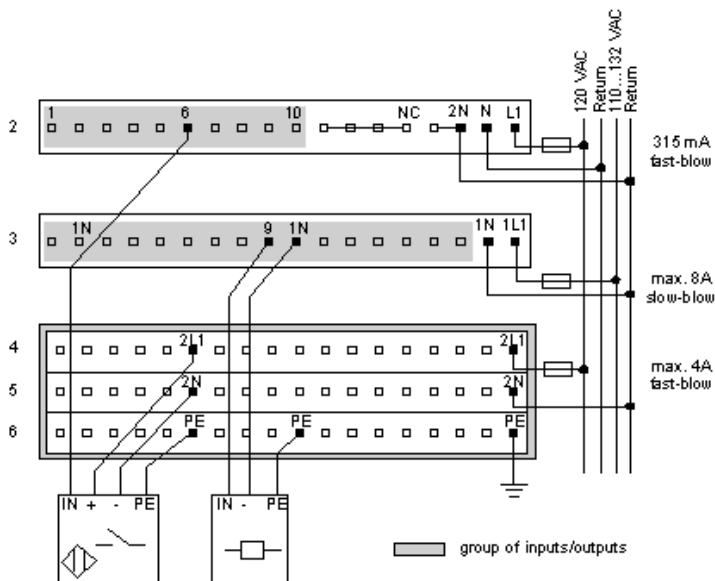


## External Wiring Diagrams

### 2-Wire Sensor with a 2-Wire Actuator



### 4-Wire Sensor with a 3-Wire Actuator



## Internal Pin Connections

Rows 1 through 3 show the internal connections between terminals on the I/O base. Rows 4 through 6 show the internal connections on the optional busbar.

