

## XZCP1041L5

unaprijed ožičeni konektori XZ – ženski pod kutom –  
M8 – 4 pina – kabel PUR 5 m



### Glavno

Accessory / separate part category	Cabling accessory
Accessory / separate part type	Pre-wired connectors
Series name	General purpose

### Komplementarno

Electrical connection	M8, 4 pins elbowed female connector
Cable connector fixing	Screw-on
Collar material	Metal
Status LED	Without
Cable length	5 m
Cable outer diameter	5.2 mm
Cable composition	4 x 0.34 mm <sup>2</sup>
Wire insulation material	PUR
[Ue] rated operational voltage	60 V AC 75 V DC
[In] rated current	4 A
Contact resistance	5000 μOhm
Insulating resistance	1 GΩ
Product weight	0.18 kg

### Okolina

IP degree of protection	IP65 IP67 IP69K
product certifications	CULus
ambient air temperature for operation	-40...80 °C (static) -5...80 °C (flexing)
ambient air temperature for storage	-40...80 °C

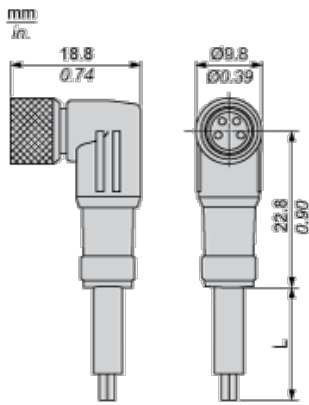
### Offer Sustainability

Green Premium product	Green Premium product
Compliant - since 0649 - Schneider Electric declaration of conformity	Compliant - since 0649 - Schneider Electric declaration of conformity
Reference not containing SVHC above the threshold	Reference not containing SVHC above the threshold
Available	Available
Available	Available

### Contractual warranty

Warranty period	18 months
-----------------	-----------

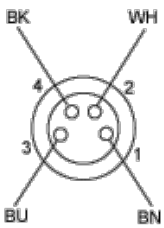
## Dimensions



L : Length of cable

## Connections and Schemes

### Connector



BN : Brown

BK : Black

BU : Blue

WH : White