

XUYPS1LCO965S

fotoelektrični senzor – XUY – BGS – laser – Sn 300 mm – 12..24 V DC – M8



Glavno

Range of product	OsiSense XU
Series name	Application, materials handling
Electronic sensor type	Photo-electric sensor
Sensor name	XUY
Sensor design	Compact
Detection system	Diffuse with background suppression
Material	Plastic
Type of output signal	Discrete
Supply circuit type	DC
Wiring technique	4-wire
Discrete output type	PNP and NPN
Discrete output function	1 NO or 1 NC programmable
Electrical connection	1 male connector M8, 4 pins
Product specific application	Control of level Detection of components on a printed circuit Monitoring for crack on a component Monitoring of small parts on production machine Suppression of a background
Emission	Red laser, pulsed (class 2), wavelength: 675 nm
[Sn] nominal sensing distance	50...300 mm

Komplementarno

Enclosure material	Glass impregnated nylon
Lens material	PMMA
Spot diameter	0 mm manual adjustment
Minimum object diameter for detection	0.5 mm
Output type	Solid state
Status LED	1 LED (green)for output state 1 LED (red)for time delay active 1 LED (none)for NC function 1 LED (red)for NO function
[Us] rated supply voltage	12...24 V DC with reverse polarity protection
Supply voltage limits	10...30 V DC
Switching capacity in mA	100 mA (overload and short-circuit protection)
Switching frequency	> 5 kHz
Voltage drop	< 2 V (closed state)
Current consumption	35 mA
Delay response	40 msfor output circuit depending on wiring
Delay recovery	150 µs
Setting-up	Manual adjustment of focusing
Product weight	0.081 kg

Okolina

product certifications	CE CULus
ambient air temperature for operation	0...50 °C
ambient air temperature for storage	-20...60 °C
immunity to ambient light	10000 lux with natural light

Informacije dane u ovoj dokumentaciji sadrže opće opise i/ili tehničke karakteristike o performansama ovdje sadržanih proizvoda. Ova dokumentacija nije namijenjena kao zamjena za niti bi se trebala koristiti za određivanje prikladnosti ili pouzdanosti predmetnih proizvoda za konkretne korisničke primjene. Svaki takav korisnik ili integrator dužan je provesti odgovarajuću i potpunu analizu rizika, procjenu i ispitivanje proizvoda u odnosu na odgovarajuću specifičnu primjenu ili uporabu istog. Niti društvo Schneider Electric Industries SAS niti bilo koje od njegovih povezanih poduzeća ili podružnica neće preuzeti obvezu ili snositi odgovornost za pogrešnu upotrebu ovdje sadržanih informacija.

Offer Sustainability

Not Green Premium product

Not Green Premium product

Compliant - since 0708 - Schneider Electric declaration of conformity

Compliant - since 0708 - Schneider Electric declaration of conformity

Reference not containing SVHC above the threshold

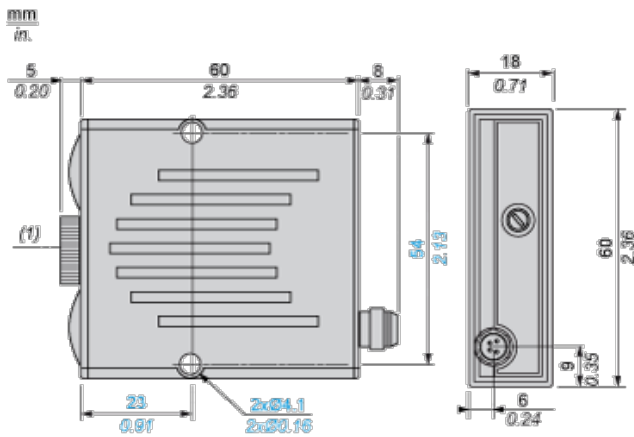
Reference not containing SVHC above the threshold

Contractual warranty

Warranty period

18 months

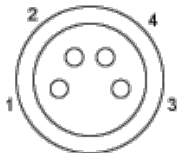
Dimensions



(1) Optical axis of laser

Wiring Schemes

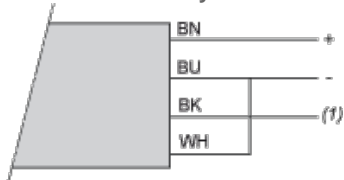
M8 Connector



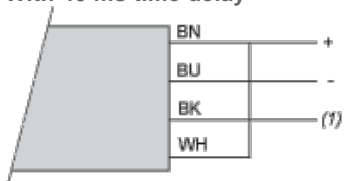
- 1 : Brown
- 2 : White
- 3 : Blue
- 4 : Black

NO Function

Without time delay



With 40 ms time delay



- BN : Brown
- WH : White

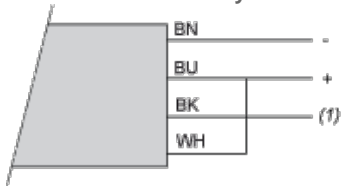
BU : Blue
BK : Black
(1) Output

NC Function

Without time delay



With 40 ms time delay



BN : Brown
WH :White
BU : Blue
BK : Black
(1) Output