

XUYECO989

fotoelektrični senzor – XUY 989 – odašiljač – 12..24
V DC – M8



Glavno

Range of product	OsiSense XU
Series name	Application
Electronic sensor type	Photo-electric sensor
Sensor name	XUY
Sensor design	Miniature
Detection system	Thru beam
Material	Plastic
Supply circuit type	DC
Wiring technique	2-wire
Discrete output function	1 NO or 1 NC programmable
Electrical connection	1 male connector M8, 4 pins
Product specific application	Conveyor system and access control series
Emission	Red LED, pulsed
[Sn] nominal sensing distance	1 m polarised reflex 4 m thru beam 0.08 m diffuse with background suppression 0.25 m diffuse with adjustable sensitivity

Komplementarno

Enclosure material	ABS
Lens material	PMMA
Cover material	PUR
Pulse frequency	6 kHz
[Us] rated supply voltage	12...24 V DC with reverse polarity protection
Supply voltage limits	10...30 V DC
Switching capacity in mA	100 mA (overload and short-circuit protection)
Switching frequency	500 Hz
Voltage drop	< 2 V at 100 mA (closed state) <= 1 V at 10 mA (closed state)
Current consumption	< 25 mA (no-load)
Delay response	1 ms
Product weight	0.044 kg

Okolina

product certifications	CE CULus
ambient air temperature for operation	0...50 °C
ambient air temperature for storage	-20...80 °C
IP degree of protection	IP65 conforming to IEC 60529 IP67 conforming to IEC 60529

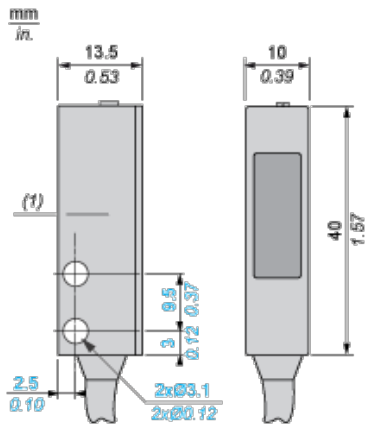
Offer Sustainability

Not Green Premium product	Not Green Premium product
Compliant - since 0703 - Schneider Electric declaration of conformity	Compliant - since 0703 - Schneider Electric declaration of conformity

Contractual warranty

Informacije dane u ovoj dokumentaciji sadrže opće opise i/ili tehničke karakteristike o performansama ovdje sadržanih proizvoda.
 Ova dokumentacija nije namijenjena kao zamjena za niti bi se trebala koristiti za određivanje prikladnosti ili pouzdanosti predmetnih proizvoda za konkretne korisničke primjene.
 Svaki takav korisnik ili integrator dužan je provesti odgovarajuću i potpunu analizu rizika, procjenu i ispitivanje proizvoda u odnosu na odgovarajuću specifičnu primjenu ili uporabu istog.
 Niti društvo Schneider Electric Industries SAS niti bilo koje od njegovih povezanih poduzeća ili podružnica neće preuzeti obvezu ili snositi odgovornost za pogrešnu upotrebu ovdje sadržanih informacija.

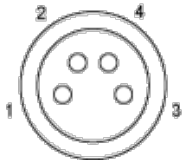
Dimensions



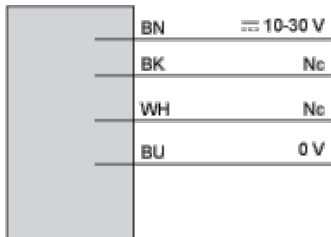
(1) Optical axis

Connections and Schemes

M8



Transmitter



1/BN :Brown

2/WH :White

3/BU :Blue

4/BK :Black

Nc : Not connected