

XUYBCO989SP

fotoelektrični senzor – XUY 989 – polariziran – Sn 1
m – 12..24 V DC – M8



Glavno

Range of product	OsiSense XU
Series name	Application
Electronic sensor type	Photo-electric sensor
Sensor name	XUY
Sensor design	Miniature
Detection system	Polarised reflex
Material	Plastic
Type of output signal	Discrete
Supply circuit type	DC
Wiring technique	4-wire
Discrete output type	PNP
Discrete output function	1 NO or 1 NC programmable
Electrical connection	1 male connector M8, 4 pins
Product specific application	Conveyor system and access control series
Emission	Red LED, pulsed
[Sn] nominal sensing distance	1 m polarised reflex 4 m thru beam 0.08 m diffuse with background suppression 0.25 m diffuse with adjustable sensitivity

Komplementarno

Enclosure material	ABS
Lens material	PMMA
Cover material	PUR
Pulse frequency	6 kHz
Output type	Solid state
[Us] rated supply voltage	12...24 V DC with reverse polarity protection
Supply voltage limits	10...30 V DC
Switching capacity in mA	100 mA (overload and short-circuit protection)
Switching frequency	500 Hz
Voltage drop	< 2 V at 100 mA (closed state) <= 1 V at 10 mA (closed state)
Current consumption	< 25 mA (no-load)
Delay response	1 ms
Product weight	0.061 kg

Okolina

product certifications	CE CULus
ambient air temperature for operation	0...50 °C
ambient air temperature for storage	-20...80 °C
IP degree of protection	IP65 conforming to IEC 60529 IP67 conforming to IEC 60529

Offer Sustainability

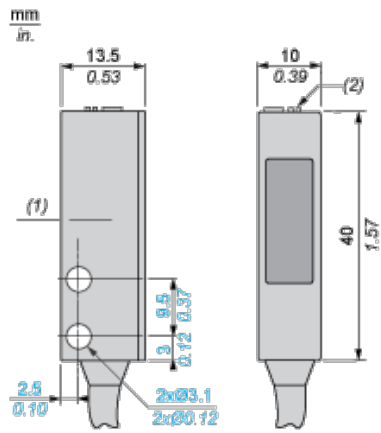
Not Green Premium product	Not Green Premium product
Compliant - since 0703 - Schneider Electric declaration	Compliant - since 0703 - Schneider Electric declaration of conformity

Contractual warranty

Warranty period

18 months

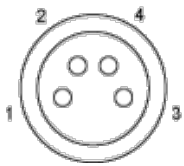
Dimensions



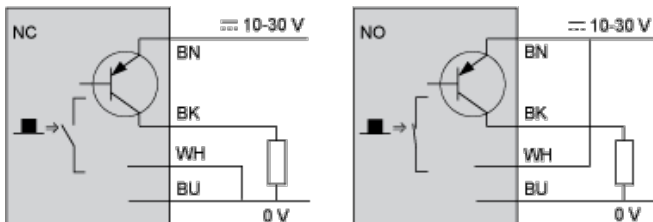
- (1) Optical axis
- (2) Accuracy adjustment

Connections and Schemes

M8



PNP Output



- 1/BN :Brown
- 2/WH :White
- 3/BU :Blue
- 4/BK :Black