

XUYBCO929LSP

fotoelektrični senzor–XUY 929–polariziran–laser–Sn
1 m–12..24 V DC–M8



Glavno

Range of product	OsiSense XU
Series name	Application assembly
Electronic sensor type	Photo-electric sensor
Sensor name	XUY
Sensor design	Miniature
Detection system	Polarised reflex
Material	Plastic
Type of output signal	Discrete
Supply circuit type	DC
Wiring technique	3-wire
Discrete output type	PNP
Discrete output function	1 NO or 1 NC programmable
Electrical connection	1 male connector M8, 4 pins
Product specific application	Monitoring of small parts on production machine Setting up of sensors
Emission	Red LED, pulsed (class 2) conforming to IEC 825-1
[Sn] nominal sensing distance	0.1...1 m need reflector XUY1111

Komplementarno

Enclosure material	ABS
Pulse frequency	5 kHz
Spot diameter	<= 0.7 mm
Output type	Solid state
Status LED	1 LED (yellow) for output state 1 LED (green) for supply on/dirty
[Us] rated supply voltage	12...24 V DC with reverse polarity protection
Supply voltage limits	10...30 V DC
Switching capacity in mA	100 mA (overload and short-circuit protection)
Switching frequency	1000 Hz
Voltage drop	<= 2.4 V (closed state)
Current consumption	< 25 mA (no-load)
Delay response	3 μs
Setting-up	Using teach button or remote teaching
Product weight	0.056 kg

Okolina

product certifications	CE CULus
ambient air temperature for operation	-20...60 °C
ambient air temperature for storage	-20...80 °C
immunity to ambient light	5000 lux
vibration resistance	7 gn, amplitude = +/- 1.5 mm (f = 10...55 Hz) conforming to IEC 60068-2-6
shock resistance	30 gn (duration = 11 ms) conforming to IEC 60068-2-27
IP degree of protection	IP67 conforming to IEC 60529

Informacije dane u ovoj dokumentaciji sadrže opće opise i/ili tehničke karakteristike o performansama ovdje sadržanih proizvoda.
 Ova dokumentacija nije namijenjena kao zamjena za niti bi se trebala koristiti za određivanje prikladnosti ili pouzdanosti predmetnih proizvoda za konkretne korisničke primjene.
 Svaki takav korisnik ili integrator dužan je provesti odgovarajuću i poplunu analizu rizika, procjenu i ispitivanje proizvoda u odnosu na odgovarajuću specifičnu primjenu ili uporabu istog.
 Niti društvo Schneider Electric, Industries SAS niti bilo koje od njegovih povezanih poduzeća ili podružnica neće preuzeti obvezu ili snositi odgovornost za pogrešnu upotrebu ovdje sadržanih informacija.

Offer Sustainability

Not Green Premium product

Not Green Premium product

Will not be Compliant

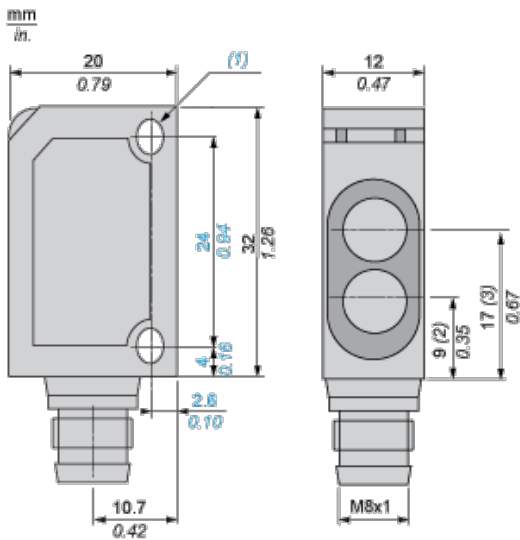
Will not be Compliant

Contractual warranty

Warranty period

18 months

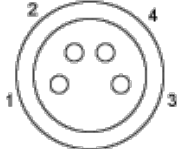
Dimensions



- (1) 2 elongated holes \varnothing 3.2 x 4.2
- (2) Transmitter optical axis
- (3) Receiver optical axis

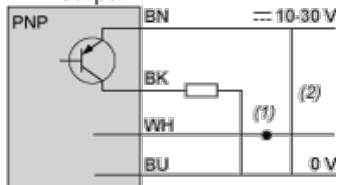
Wiring Schemes

M8 connector



- 1 : Brown
- 2 : White
- 3 : Blue
- 4 : Black

PNP output



- (+) Brown
- BN :
- WH :White
- (-) Blue
- BU :
- (Output)Black
- BK :
- (1) Connected to +: external teaching, connected to -: locking of functions
- (2) Output 100 mA max.