

XUX0ARCTT16T

fotoelektrični senzor – XUX – odašiljač – 24..240 V
AC/DC – priključci



Glavno

Range of product	OsiSense XU
Series name	General purpose multimode
Electronic sensor type	Photo-electric sensor transmitter
Sensor name	XUX
Sensor design	Compact 92 x 71
Detection system	Thru beam
Material	Plastic
Supply circuit type	AC/DC
Wiring technique	3-wire
Electrical connection	Screw-clamp terminals, 1 x 1.5 mm ² or 1 x 0.75 mm ² with adaptor
Product specific application	-
Emission	Infrared thru beam
[Sn] nominal sensing distance	40 m thru beam need a receiver

Komplementarno

Enclosure material	PBT
Lens material	PMMA
Maximum sensing distance	60 m thru beam
Add on input	Test by emission breaking
Cable entry	1 entry for M16 x 1.5 cable gland, cable outer diameter: 7...10 mm
Status LED	1 LED (green) for supply on
[Us] rated supply voltage	24...240 V AC/DC
Supply voltage limits	20...264 V AC/DC
Switching capacity in mA	0.5 A (cos φ = 0.4 for 0.5 million cycles at 1 operating cycle per second at 250 V) 3 A (cos φ = 1 for 0.5 million cycles at 1 operating cycle per second at 250 V)
Switching frequency	<= 20 Hz
Voltage drop	<= 1.5 V (closed state)
Current consumption	20 mA (no-load)
Time delay range	0.02...15 s monostable, on-delay or off-delay (programmable) delay
Delay first up	< 200 ms
Delay response	< 25 ms
Delay recovery	< 25 ms
Setting-up	Without sensitivity adjustment
Electrical durability	500000 cycles, cos φ = 0.4, 500 cyc/mn 500000 cycles, cos φ = 1, 3000 cyc/mn
Depth	77 mm
Height	92 mm
Width	31 mm
Product weight	0.2 kg

Okolina

product certifications	CE CSA UL
ambient air temperature for operation	-25...55 °C
ambient air temperature for storage	-40...70 °C

Informacije dane u ovoj dokumentaciji sadrže opće opise i/ili tehničke karakteristike o performansama ovdje sadržanih proizvoda.
 Ova dokumentacija nije namijenjena kao zamjena za niti bi se trebala koristiti za određivanje prikladnosti ili pouzdanosti predmetnih proizvoda za konkretne korisničke primjene.
 Svaki takav korisnik ili integrator dužan je provesti odgovarajuću i potpunu analizu rizika, procjenu i ispitivanje proizvoda u odnosu na odgovarajuću specifičnu primjenu ili uporabu istog.
 Niti društvo Schneider Electric Industries SAS niti bilo koje od njegovih povezanih poduzeća ili podružnica neće preuzeti obvezu ili snositi odgovornost za pogrešnu upotrebu ovdje sadržanih informacija.

vibration resistance	7 gn, amplitude = +/- 1.5 mm (f = 10...55 Hz) conforming to IEC 60068-2-6
shock resistance	30 gn (duration = 11 ms) conforming to IEC 60068-2-27
IP degree of protection	IP65 double insulation conforming to IEC 60529 IP67 double insulation conforming to IEC 60529

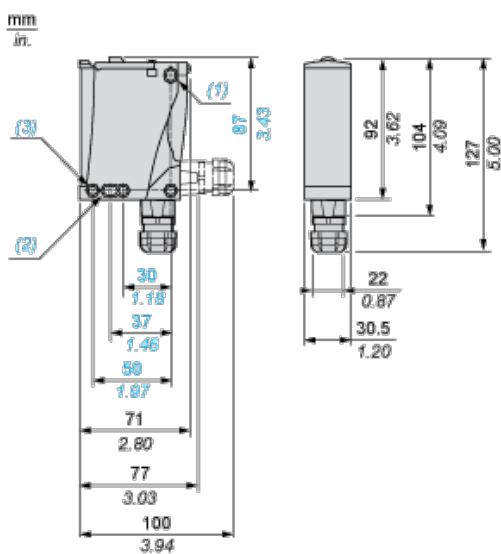
Offer Sustainability

Not Green Premium product	Not Green Premium product
Compliant - since 0914 - Schneider Electric declaration of conformity	Compliant - since 0914 - Schneider Electric declaration of conformity
Reference not containing SVHC above the threshold	Reference not containing SVHC above the threshold

Contractual warranty

Warranty period	18 months
-----------------	-----------

Dimensions



- (1) Elongated hole \varnothing 5.5 x 7
- (2) Elongated hole \varnothing 5.5 x 9
- (3) \varnothing 5.5 hole

Wiring Schemes

Transmitter DC

M12	Terminals	
1 ●	1 \varnothing	+
3 ●	2 \varnothing	-
2 ●	3 \varnothing	Beam break input (1)

(1) Input not connected: beam made. Input connected to -: beam broken.

Detection Curves

