

## XUVK0252S

fotoelektrični senzor – prolazna zraka – Sn 2 mm –  
NO ili NC – konektor M8



### Glavno

Range of product	OsiSense XU
Series name	Application packaging
Electronic sensor type	Photo-electric sensor
Sensor name	XUV
Sensor design	Fork
Detection system	Thru beam
Emission	Infrared
Type of setting	Without
Passage width	2 mm
Passage depth	50 mm
Material	Metal
Supply circuit type	DC
Wiring technique	3-wire
Discrete output type	PNP and NPN
Discrete output function	2 NO/NC programmable
Electrical connection	1 male connector M8 adjustable through 90°, 4 pins
Product specific application	Detection of labels
[Sn] nominal sensing distance	2 mm

### Komplementarno

Setting-up	Teach mode
Enclosure material	Zinc alloy
Lens material	Glass
Type of output signal	Discrete
Output type	Solid state
Status LED	1 LED (yellow) for output state 1 LED (green) for sensor ready 1 LED (red) for read error
[Us] rated supply voltage	12...24 V DC with reverse polarity protection
Supply voltage limits	10...30 V DC
Switching capacity in mA	<= 100 mA (overload and short-circuit protection)
Switching frequency	<= 25 kHz
Voltage drop	<= 1.5 V (closed state)
Output clamping resistor	10 kOhm
Current consumption	<= 50 mA (no-load)
Delay first up	<= 30 ms
Delay response	< 0.1 ms
Delay recovery	< 0.1 ms
Depth	90 mm
Height	20 mm
Width	20 mm
Product weight	0.085 kg

### Okolina

product certifications	CE
------------------------	----

Informacije dane u ovoj dokumentaciji sadrže opće opise i/ili tehničke karakteristike o performansama ovdje sadržanih proizvoda. Ova dokumentacija nije namijenjena kao zamjena za niti bi se trebala koristiti za određivanje prikladnosti ili pouzdanosti predmetnih proizvoda za konkretne korisničke primjene. Svaki takav korisnik ili integrator dužan je provesti odgovarajuću i potpunu analizu rizika, procjenu i ispitivanje proizvoda u odnosu na odgovarajuću specifičnu primjenu ili uporabu istog. Niti društvo Schneider Electric, Industries SAS niti bilo koje od njegovih povezanih poduzeća ili podružnica neće preuzeti obvezu ili snositi odgovornost za pogrešnu upotrebu ovdje sadržanih informacija.

ambient air temperature for operation	0...55 °C
ambient air temperature for storage	-20...70 °C
vibration resistance	7 gn, amplitude = +/- 1.5 mm (f = 10...55 Hz) conforming to IEC 60068-2-6
shock resistance	30 gn (duration = 11 ms) conforming to IEC 60068-2-27
IP degree of protection	IP65 conforming to IEC 60529

## Offer Sustainability

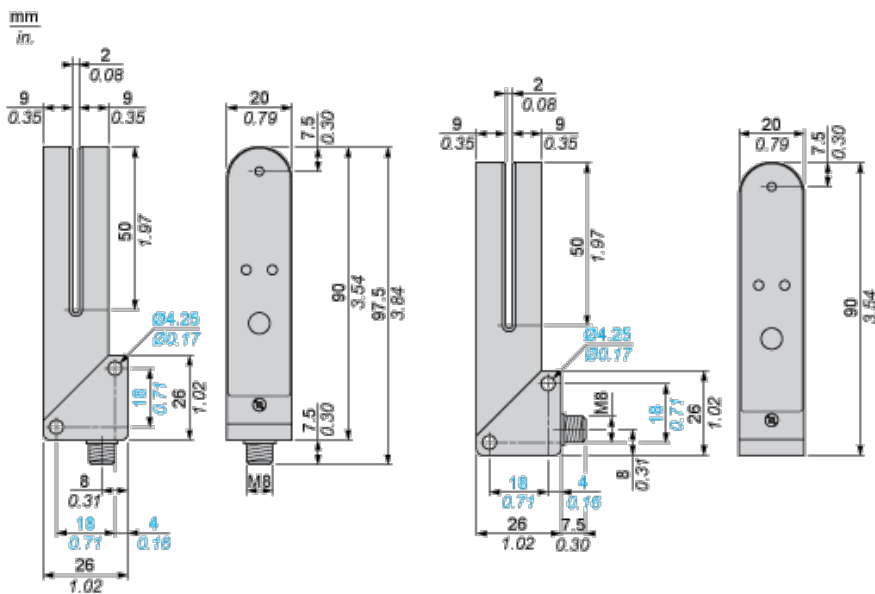
Not Green Premium product	Not Green Premium product
Compliant - since 0623 - Schneider Electric declaration of conformity	Compliant - since 0623 - Schneider Electric declaration of conformity

## Contractual warranty

Warranty period	18 months
-----------------	-----------

## Dimensions

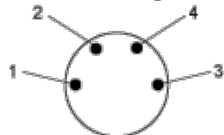
### M8 Connector Adjustable Through 90°



## Connector Scheme

### 3-wire, PNP and NPN

NO or NC Programmable Function



- 1: +
- 2: NPN Output
- 3: -
- 4: PNP Output