

## XSPN15122EX

induktivni senzor XSP M30–D 43,5 mm–plastični–Sn  
15 mm–7..12 V DC–kabel 2 m



### Glavno

Range of product	OsiSense XS ATEX D
Series name	Application
Sensor type	Inductive proximity sensor
Device application	ATEX dust
Sensor name	XSP
Sensor design	Cylindrical M30
Size	43.5 mm
Body type	Fixed
Detector flush mounting acceptance	Non flush mountable
Material	Plastic
Enclosure material	Plastic
[Sn] nominal sensing distance	15 mm
Type of output signal	Discrete
Wiring technique	2-wire
Discrete output function	1 NC
Output circuit type	DC
Discrete output type	Namur
Electrical connection	Cable
Cable length	2 m
[Us] rated supply voltage	7..12 V DC
Switching capacity in mA	<= 1 mA
IP degree of protection	IP67 conforming to IEC 60529

### Komplementarno

Thread type	M30 x 1.5
Detection face	Frontal
Front material	PPS
Operating zone	0...12 mm
Cable composition	2 x 0.34 mm <sup>2</sup>
Wire insulation material	PvR
Status LED	1 LED red (output state)
Residual current	<= 3 mA open state
Switching frequency	<= 200 Hz
Marking	II1 D-Ex ia IIIC T85°C Da IP66/67
Threaded length	34 mm
Height	30 mm
Length	43.5 mm

### Okolina

standards	EN/IEC 60079-0 EN/IEC 60079-11
directives	94/9/EC - ATEX directive
product certifications	INERIS 04ATEX0016X
ambient air temperature for operation	-20...60 °C
dust zone	Zone 20

Informacije dane u ovoj dokumentaciji sadrže opće opise i/ili tehničke karakteristike o performansama ovdje sadržanih proizvoda.  
 Ova dokumentacija nije namijenjena kao zamjena za niti bi se trebala koristiti za određivanje prikladnosti ili pouzdanosti predmetnih proizvoda za konkretne korisničke primjene.  
 Svaki takav korisnik ili integrator dužan je provesti odgovarajuću i potpunu analizu rizika, procjenu i ispitivanje specifičnu primjenu ili uporabu istog.  
 Niti društvo Schneider Electric, Industries SAS niti bilo koje od njegovih povezanih poduzeća ili podružnica neće preuzeti obvezu ili snositi odgovornost za pogrešnu upotrebu ovdje sadržanih informacija.

## Offer Sustainability

Not Green Premium product

Not Green Premium product

Will not be Compliant

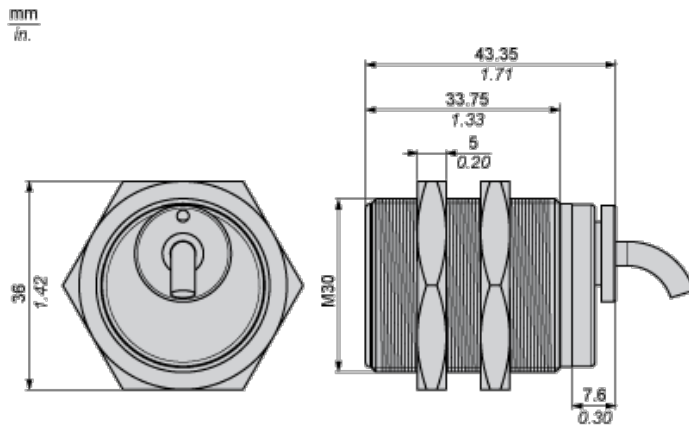
Will not be Compliant

## Contractual warranty

Warranty period

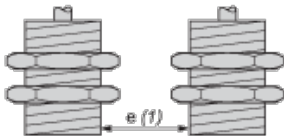
18 months

## Dimensions



## Minimum Mounting Distances

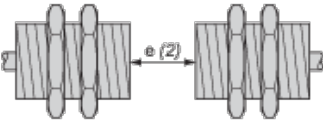
Side by side



$e (1)$  20 mm/0.79 in

≧

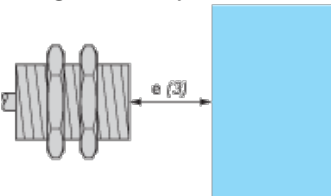
Face to face



$e (2)$  120 mm/4.72 in

≧

Facing a metal object



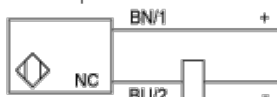
$e (3)$  30 mm/1.18 in.

≧

## Wiring Schemes

### 2-wire DC Polarised

NC Output

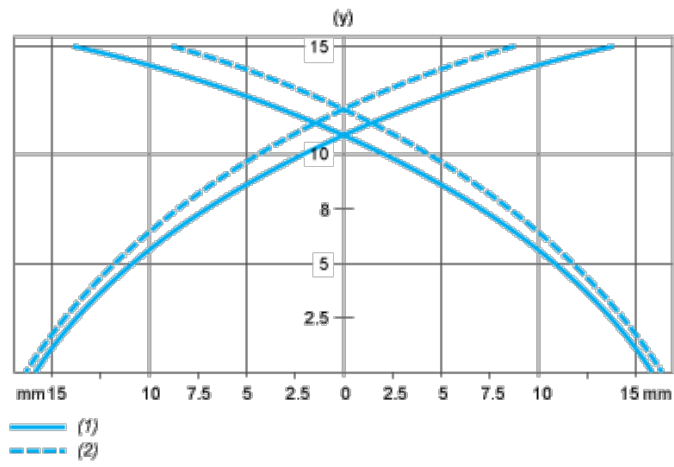


BN : Brown

BU : Blue

## Performance Curves

Standard Steel Target : 45x45x1 mm



- (1) Pick-up points
- (2) Drop-out points (object approaching from the side)
- (y) Sensing distance in mm