

XS630B1PAM12

induktivni senzor XS6 M30 – D 74 mm – mjed – Sn
15 mm - 12.. 48 V DC – M12



Glavno

| | |
|------------------------------------|---|
| Range of product | OsiSense XS |
| Series name | General purpose |
| Sensor type | Inductive proximity sensor |
| Device application | Mobile equipment |
| Sensor name | XS6 |
| Sensor design | Cylindrical M30 |
| Size | 74 mm |
| Body type | Fixed |
| Detector flush mounting acceptance | Flush mountable |
| Material | Metal |
| Type of output signal | Discrete |
| Wiring technique | 3-wire |
| [Sn] nominal sensing distance | 15 mm |
| Discrete output function | 1 NO |
| Output circuit type | DC |
| Discrete output type | PNP |
| Electrical connection | Male connector M12 4 pins |
| [Us] rated supply voltage | 12..48 V DC with reverse polarity protection |
| Switching capacity in mA | <= 200 mA DC with overload and short-circuit protection |
| IP degree of protection | IP67 conforming to IEC 60529 IP69K conforming to DIN 40050 |

Komplementarno

| | |
|-----------------------|---------------------------------|
| Thread type | M30 x 1.5 |
| Detection face | Frontal |
| Front material | PPS |
| Enclosure material | Nickel plated brass |
| Operating zone | 0...12 mm |
| Differential travel | 1...15% of Sr |
| Status LED | 1 LED (yellow) for output state |
| Supply voltage limits | 10...58 V DC |
| Switching frequency | <= 500 Hz |
| Voltage drop | <= 2 V, closed state |
| Current consumption | <= 10 mA (no-load) |
| Delay first up | <= 10 ms |
| Delay response | <= 0.6 ms |
| Delay recovery | <= 1.4 ms |
| Marking | CE |
| Threaded length | 52 mm |
| Length | 74 mm |
| Product weight | 0.15 kg |

Okolina

| | |
|---------------------------------------|---|
| product certifications | CSA UL E2 |
| ambient air temperature for operation | -25...70 °C |
| ambient air temperature for storage | -40...85 °C |
| vibration resistance | 25 gn, amplitude: +/- 2 mm (f = 10...55 Hz) conforming to IEC 60068-2-6 |
| shock resistance | 50 gn (duration = 11 ms) conforming to IEC 60068-2-27 |

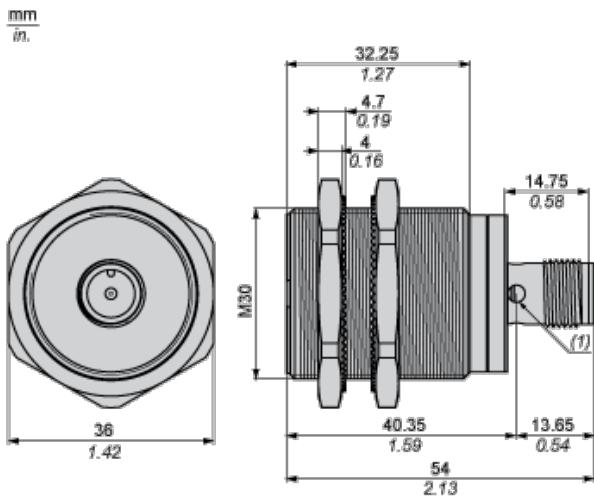
Offer Sustainability

| | |
|---|---|
| Green Premium product | Green Premium product |
| Compliant - since 0804 - Schneider Electric declaration of conformity | Compliant - since 0804 - Schneider Electric declaration of conformity |
| Reference not containing SVHC above the threshold | Reference not containing SVHC above the threshold |
| Available | Available |
| Available | Available |

Contractual warranty

| | |
|-----------------|-----------|
| Warranty period | 18 months |
|-----------------|-----------|

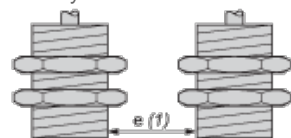
Dimensions



(1) LED

Minimum Mounting Distances

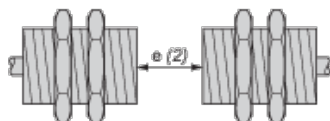
Side by side



e (1) 30 mm/1.18 in.

≥

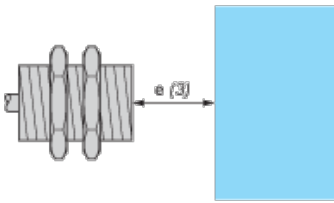
Face to face



e (2) 180 mm/7.09 in.

≥

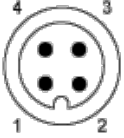
Facing a metal object



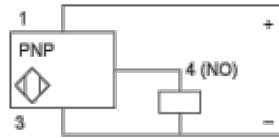
e (3) 45 mm/1.77 in.
 \geq

Wiring Schemes

M12 connector



PNP



- 1 : (+)
- 2 : Not connected
- 3 : (-)
- 4 : NO Output