

## XS612B1NAL2

induktivni senzor XS6 M12–D 53 mm–mjed–Sn 4 mm–12.. 48 V DC–kabel od 2 m



### Glavno

|                                    |   |
|------------------------------------|---|
| Range of product                   | OsiSense XS   |
| Series name                        | General purpose   |
| Sensor type                        | Inductive proximity sensor  |
| Device application                 | Mobile equipment  |
| Sensor name                        | XS6   |
| Sensor design                      | Cylindrical M12   |
| Size                               | 53 mm   |
| Body type                          | Fixed   |
| Detector flush mounting acceptance | Flush mountable   |
| Material                           | Metal   |
| Type of output signal              | Discrete  |
| Wiring technique                   | 3-wire  |
| [Sn] nominal sensing distance      | 4 mm  |
| Discrete output function           | 1 NO  |
| Output circuit type                | DC  |
| Discrete output type               | NPN   |
| Electrical connection              | Cable   |
| Cable length                       | 2 m   |
| [Us] rated supply voltage          | 12...48 V DC with reverse polarity protection                                   |
| Switching capacity in mA           | <= 200 mA DC with overload and short-circuit protection                         |
| IP degree of protection            | IP68 double insulation conforming to IEC 60529<br>IP69K conforming to DIN 40050 |

### Komplementarno

|                          |                                 |
|--------------------------|---------------------------------|
| Thread type              | M12 x 1                         |
| Detection face           | Frontal                         |
| Front material           | PPS                             |
| Enclosure material       | Nickel plated brass             |
| Operating zone           | 0...3.2 mm                      |
| Differential travel      | 1...15% of Sr                   |
| Cable composition        | 3 x 0.34 mm <sup>2</sup>        |
| Wire insulation material | PvR                             |
| Status LED               | 1 LED (yellow) for output state |
| Supply voltage limits    | 10...58 V DC                    |
| Switching frequency      | <= 2500 Hz                      |
| Voltage drop             | <= 2 V, closed state            |
| Current consumption      | <= 10 mA (no-load)              |
| Delay first up           | <= 10 ms                        |
| Delay response           | <= 0.2 ms                       |
| Delay recovery           | <= 0.2 ms                       |
| Marking                  | CE                              |
| Threaded length          | 42 mm                           |
| Length                   | 53 mm                           |

Informacije dane u ovoj dokumentaciji sadrže opće opise i/ili tehničke karakteristike o performansama ovdje sadržanih proizvoda.  
Ova dokumentacija nije namijenjena kao zamjena za niti bi se trebala koristiti za određivanje prikladnosti ili pouzdanosti predmetnih proizvoda za konkretne korisničke primjene.  
Svaki takav korisnik ili integrator dužan je provesti odgovarajuću i poplunu analizu rizika, procjenu i ispitivanje proizvoda u odnosu na odgovarajuću specifičnu primjenu ili uporabu istog.  
Niti društvo Schneider Electric Industries SAS niti bilo koje od njegovih povezanih poduzeća ili podružnica neće preuzeti obvezu ili snositi odgovornost za pogrešnu upotrebu ovdje sadržanih informacija.

Product weight 0.075 kg

## Okolina

|                                       |   |
|---------------------------------------|---|
| product certifications                | CSA<br>UL<br>E2   |
| ambient air temperature for operation | -25...70 °C   |
| ambient air temperature for storage   | -40...85 °C   |
| vibration resistance                  | 25 gn, amplitude: +/- 2 mm (f = 10...55 Hz) conforming to IEC 60068-2-6 |
| shock resistance                      | 50 gn (duration = 11 ms) conforming to IEC 60068-2-27                   |

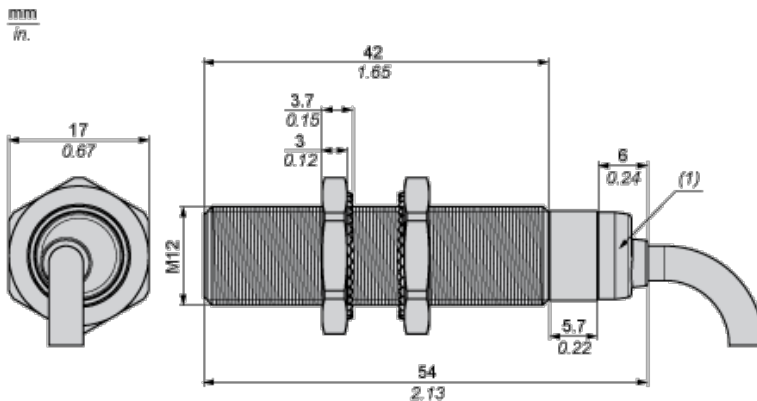
## Offer Sustainability

|   |   |
|---|---|
| Green Premium product   | Green Premium product   |
| Compliant - since 0808 - Schneider Electric declaration of conformity | Compliant - since 0808 - Schneider Electric declaration of conformity |
| Reference not containing SVHC above the threshold                     | Reference not containing SVHC above the threshold                     |
| Available   | Available   |
| Available   | Available   |

## Contractual warranty

|                 |           |
|-----------------|-----------|
| Warranty period | 18 months |
|-----------------|-----------|

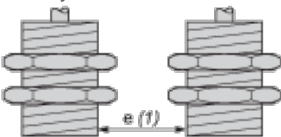
## Dimensions



(1) LED

## Minimum Mounting Distances

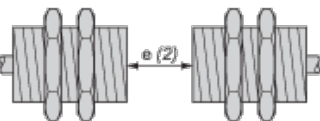
Side by side



e (1) 8 mm/0.31 in.

≥

Face to face



e (2) 48 mm/1.89 in.

≥

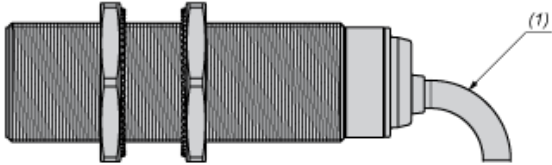
Facing a metal object



e (3) 12 mm/0.47 in.

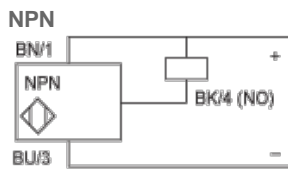
≧

## Mounting



(1) Bending cable: 4 x external cable diameter

## Wiring Schemes



BU : Blue

BN : Brown

BK : Black