

## XS1M30MA250L1

induktivni senzor XS1 M30–D 60mm–mjed–Sn 10mm  
- 24.. 240 V AC/DC - kabel 5m



### Glavno

|                                    |  |
|------------------------------------|--|
| Range of product                   | OsiSense XS  |
| Series name                        | General purpose  |
| Sensor type                        | Inductive proximity sensor   |
| Wiring configuration               | 2-wire   |
| Output circuit type                | AC/DC  |
| Protection type                    | Short-circuit protection   |
| Device application                 | 2-wire DC short-circuit protection   |
| Sensor name                        | XS1  |
| Sensor design                      | Cylindrical M30  |
| Size                               | 60 mm  |
| Body type                          | Fixed  |
| Detector flush mounting acceptance | Flush mountable  |
| Material                           | Metal  |
| Type of output signal              | Discrete   |
| Wiring technique                   | 2-wire   |
| [Sn] nominal sensing distance      | 10 mm  |
| Discrete output function           | 1 NO   |
| Electrical connection              | Cable  |
| Cable length                       | 5 m  |
| [Us] rated supply voltage          | 24...240 V AC 50/60 Hz<br>24...210 V DC  |
| Switching capacity in mA           | 5...200 mA DC with overload and short-circuit protection<br>5...300 mA AC with overload and short-circuit protection |
| IP degree of protection            | IP68 double insulation conforming to IEC 60529   |

### Komplementarno

|                          |  |
|--------------------------|--|
| Thread type              | M30 x 1.5  |
| Detection face           | Frontal  |
| Front material           | PPS  |
| Enclosure material       | Nickel plated brass  |
| Operating zone           | 0...8 mm   |
| Differential travel      | 1...15% of Sr  |
| Cable composition        | 2 x 0.34 mm <sup>2</sup>                                   |
| Wire insulation material | PvR  |
| Status LED               | 1 LED green for supply on<br>1 LED yellow for output state |
| Supply voltage limits    | 20...264 V AC/DC   |
| Residual current         | <= 1.5 mA for open state                                   |
| Switching frequency      | <= 2000 Hz DC<br><= 25 Hz AC                               |
| Voltage drop             | <= 5.5 V at closed state                                   |
| Delay first up           | <= 70 ms   |
| Delay response           | <= 2 ms  |
| Delay recovery           | <= 5 ms  |
| Marking                  | CE   |

Informacije dane u ovoj dokumentaciji sadrže opće opise i/ili tehničke karakteristike o performansama ovdje sadržanih proizvoda. Ova dokumentacija nije namijenjena kao zamjena za niti bi se trebala koristiti za određivanje prikladnosti ili pouzdanosti predmetnih proizvoda za konkretne korisničke primjene. Svaki takav korisnik ili integrator dužan je provesti odgovarajuću i potpunu analizu rizika, procjenu i ispitivanje proizvoda u odnosu na odgovarajuću specifičnu primjenu ili uporabu istog. Niti društvo Schneider Electric Industries SAS niti bilo koje od njegovih povezanih poduzeća ili podružnica neće preuzeti obvezu ili snositi odgovornost za pogrešnu upotrebu ovdje sadržanih informacija.

|                 |                      |
|-----------------|----------------------|
| Threaded length | 51 mm                |
| Height          | 30 mm                |
| Length          | 60 mm                |
| Product weight  | 0.205 kg<br>0.325 kg |

## Okolina

|                                       |   |
|---------------------------------------|---|
| product certifications                | CCC<br>CSA<br>UL  |
| ambient air temperature for operation | -25...70 °C   |
| ambient air temperature for storage   | -40...85 °C   |
| vibration resistance                  | 25 gn amplitude = +/- 2 mm (f = 10...55 Hz) conforming to IEC 60068-2-6 |
| shock resistance                      | 50 gnfor 11 ms conforming to IEC 60068-2-27                             |

## Offer Sustainability

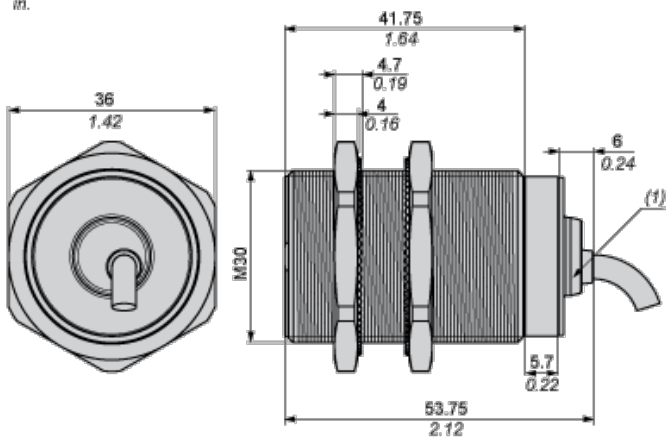
|   |   |
|---|---|
| Not Green Premium product   | Not Green Premium product   |
| Compliant - since 0936 - Schneider Electric declaration of conformity | Compliant - since 0936 - Schneider Electric declaration of conformity |
| Available   | Available   |
| Available   | Available   |

## Contractual warranty

|                 |           |
|-----------------|-----------|
| Warranty period | 18 months |
|-----------------|-----------|

## Dimensions

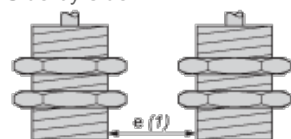
mm  
in.



(1) LED

## Minimum Mounting Distances

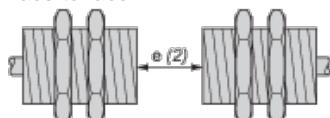
Side by side



$e (1)$  20 mm/0.79 in

$\geq$

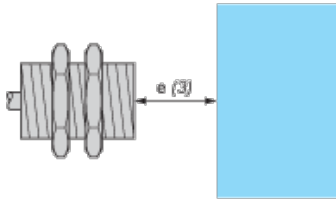
Face to face



e (2) 120 mm/4.72 in

≥

Facing a metal object



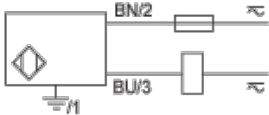
e (3) 30 mm/1.18 in.

≥

## Wiring Schemes

### 2-Wire AC or DC

NO output

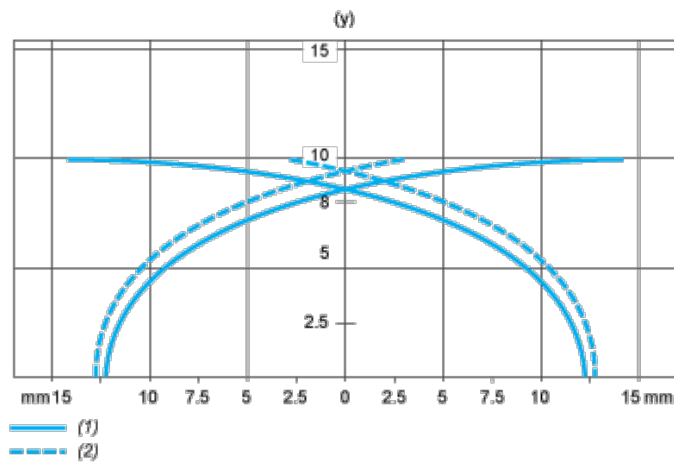


BU : Blue

BN : Brown

## Performance Curves

### Standard Steel Target : 30x30x1 mm



(1) Pick-up points

(2) Drop-out points (object approaching from the side)

(y) Sensing distance in mm