

XS118BLPBL2

induktivni senzor XS1 M18-D 53 mm-mjed-Sn 5 mm-12..24 V DC - kabel od 2 m



Glavno

| | |
|-------------------------------|--|
| Range of product | OsiSense XS |
| Series name | General purpose |
| Sensor type | Inductive proximity sensor |
| Sensor name | XS1 |
| Sensor design | Cylindrical M18 |
| Size | 53 mm |
| Body type | Fixed |
| Enclosure material | Nickel plated brass |
| Type of output signal | Discrete |
| Wiring technique | 3-wire |
| [Sn] nominal sensing distance | 5 mm |
| Discrete output function | 1 NC |
| Discrete output type | PNP |
| Electrical connection | Cable |
| Cable length | 2 m |
| [Us] rated supply voltage | 12...24 V DC with reverse polarity protection |
| Switching capacity in mA | <= 200 mA with overload and short-circuit protection |
| IP degree of protection | IP67 conforming to IEC 60529 |

Komplementarno

| | |
|------------------------------------|-------------------------------|
| ISO thread | M18 x 1 |
| Detection face | Frontal |
| Detector flush mounting acceptance | Flush mountable |
| Material | Metal |
| Front material | PBT |
| Operating zone | 0...4 mm |
| Differential travel | 1...15% of Sr |
| Output circuit type | DC |
| Cable composition | 3 x 0.14 mm ² |
| Wire insulation material | PVC |
| Status LED | 1 LED yellow for output state |
| Supply voltage limits | 10...36 V DC |
| Switching frequency | <= 1200 Hz |
| Voltage drop | <= 2 V at closed state |
| Current consumption | <= 10 mA at no-load |
| Delay first up | <= 15 ms |
| Delay response | <= 0.1 ms |
| Delay recovery | <= 0.3 ms |
| Marking | CE |
| Threaded length | 41 mm |
| Height | 18 mm |
| Length | 53 mm |
| Product weight | 0.105 kg |

Okolina

Informacije dane u ovoj dokumentaciji sadrže opće opise i/ili tehničke karakteristike o performansama ovdje sadržanih proizvoda. Ova dokumentacija nije namijenjena kao zamjena za niti bi se trebala koristiti za određivanje prikladnosti ili pouzdanosti predmetnih proizvoda za konkretne korisničke primjene. Svaki takav korisnik ili integrator dužan je provesti odgovarajuću i poplunu analizu rizika, procjenu i ispitivanje proizvoda u odnosu na odgovarajuću specifičnu primjenu ili uporabu istog. Niti društvo Schneider Electric, Industries SAS niti bilo koje od njegovih povezanih poduzeća ili podružnica neće preuzeti obvezu ili snositi odgovornost za pogrešnu upotrebu ovdje sadržanih informacija.

| | |
|---------------------------------------|---|
| product certifications | CSA UL |
| ambient air temperature for operation | -25...70 °C |
| ambient air temperature for storage | -40...85 °C |
| vibration resistance | 25 gn amplitude = +/- 2 mm (f = 10...55 Hz) conforming to IEC 60068-2-6 |
| shock resistance | 50 gnfor 11 ms conforming to IEC 60068-2-27 |

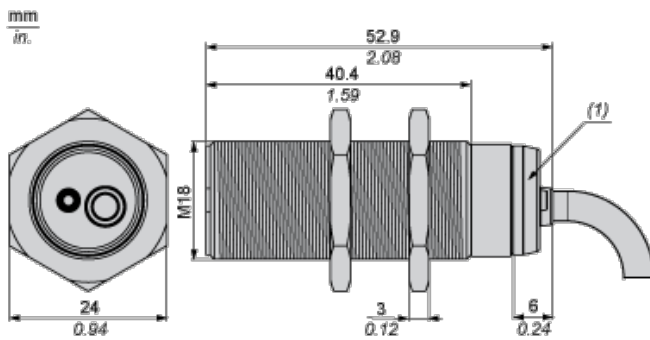
Offer Sustainability

| | |
|---|---|
| Not Green Premium product | Not Green Premium product |
| Compliant - since 0903 - Schneider Electric declaration of conformity | Compliant - since 0903 - Schneider Electric declaration of conformity |
| Available | Available |
| Available | Available |

Contractual warranty

| | |
|-----------------|-----------|
| Warranty period | 18 months |
|-----------------|-----------|

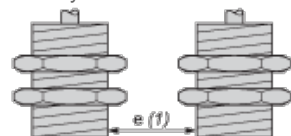
Dimensions



(1) LED

Minimum Mounting Distances

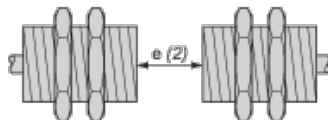
Side by side



e (1) 10 mm/0.39 in.

≥

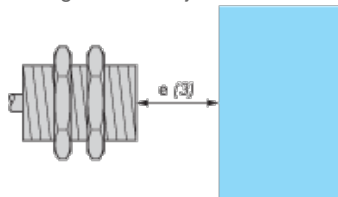
Face to face



e (2) 60 mm/2.36 in.

≥

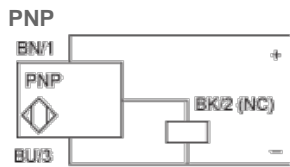
Facing a metal object



e (3) 15 mm/0.60 in

≥

Wiring Schemes



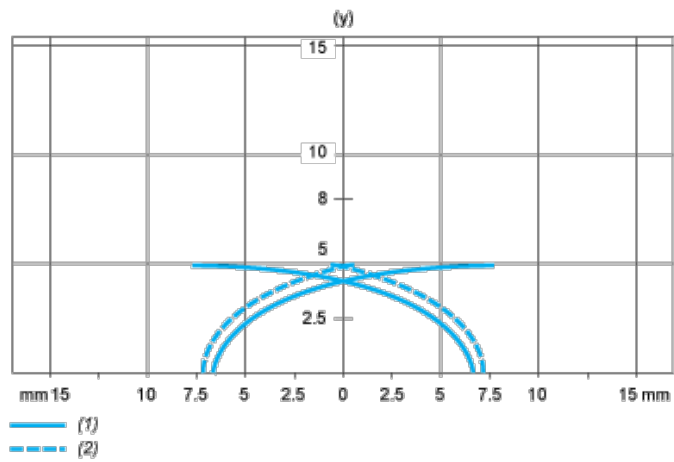
BU : Blue

BN : Brown

BK : Black

Performance Curves

Standard Steel Target : 18x18x1 mm



(1) Pick-up points

(2) Drop-out points (object approaching from the side)

(y) Sensing distance in mm