

XMLB002A2S12

vlačna sklopka XMLB 2,5 bara – 2 podesiva praga – 1 C/O



Glavno

| | |
|---|--|
| Range of product | OsiSense XM |
| Product or component type | Electromechanical pressure sensor |
| Pressure sensor type | Electromechanical pressure sensor |
| Device short name | XMLB |
| Pressure sensor size | 2.5 bar |
| Controlled fluid | Air (0...70 °C) Fresh water (0...70 °C) Hydraulic oil (0...70 °C) |
| Fluid connection type | G 1/4 (female) conforming to ISO 228 |
| Electrical connection | Screw-clamps terminals 1 x 0.5...2 x 2.5 mm ² |
| AWG gauge | AWG 20...AWG 14 |
| Cable entry | Cable gland 7...13 mm |
| Contacts type and composition | 1 C/O |
| Product specific application | - |
| Pressure switch type of operation | Regulation between 2 thresholds |
| Electrical circuit type | Control circuit |
| Scale type | Adjustable differential |
| Local display | With |
| Adjustable range of switching point on rising pressure | 0.3...2.5 bar |
| Adjustable range of switching point on falling pressure | 0.14...2.29 bar |
| Possible differential maximum at 1.75 bar high setting | |
| Maximum permissible accidental pressure | 9 bar |
| Destruction pressure | 18 bar |
| Pressure actuator | Diaphragm |
| Materials in contact with fluid | Nitrile Zinc alloy |
| Enclosure material | Zinc alloy |
| [In] rated current | 3 A, B300, AC-15 (Ue = 120 V) conforming to EN/IEC 60947-5-1 1.5 A, B300, AC-15 (Ue = 240 V) conforming to EN/IEC 60947-5-1 0.1 A, R300, DC-13 (Ue = 250 V) conforming to EN/IEC 60947-5-1 |

Komplementarno

| | |
|---|---|
| Possible differential minimum at low setting | 0.16 bar (- 0.03 bar, + 0.05 bar) |
| Possible differential minimum at high setting | 0.21 bar (- 0.03 bar, + 0.05 bar) |
| Maximum permissible pressure - per cycle | 5 bar |
| Terminal block type | 4 terminals |
| Operating rate | 120 cyc/mn |
| Repeat accuracy | < 2 % |
| [U _i] rated insulation voltage | 500 V conforming to EN/IEC 60947-1 300 V conforming to UL 508 300 V conforming to CSA C22.2 No 14 |
| [U _{imp}] rated impulse withstand voltage | 6 kV conforming to EN/IEC 60947-1 |
| Auxiliary contacts operation | Snap action |

Informacije dane u ovoj dokumentaciji sadrže opće opise i/ili tehničke karakteristike o performansama ovdje sadržanih proizvoda. Ova dokumentacija nije namijenjena kao zamjena za niti bi se trebala koristiti za određivanje prikladnosti ili pouzdanosti predmetnih proizvoda za konkretne korisničke primjene. Svaki takav korisnik ili integrator dužan je provesti odgovarajuću i potpunu analizu rizika, procjenu i ispitivanje proizvoda u odnosu na odgovarajuću specifičnu primjenu ili uporabu istog. Niti društvo Schneider Electric, Industries SAS niti bilo koje od njegovih povezanih podružnica neće preuzeti obvezu ili snositi odgovornost za pogrešnu upotrebu ovdje sadržanih informacija.

| | |
|-----------------------------|--|
| Contacts material | Silver contacts |
| Resistance across terminals | < 25 mOhm conforming to IEC 255-7 category 3 < 25 mOhm conforming to NF C 93-050 method A |
| Short-circuit protection | 10 A cartridge fuse type gG (gl) |
| Mechanical durability | 8000000 cycles |
| Setting | External |
| Height | 113 mm |
| Depth | 75 mm |
| Width | 55 mm |
| Product weight | 1.015 kg |

Okolina

| | |
|---------------------------------------|--|
| standards | CE EN/IEC 60947-5-1 UL 508 CSA C22.2 No 14 |
| product certifications | BV CCC CSA LROS (Lloyds register of shipping) UL EAC |
| protective treatment | TC (standard version) |
| ambient air temperature for operation | -25...70 °C |
| ambient air temperature for storage | -40...70 °C |
| operating position | Any position |
| vibration resistance | 4 gn (f = 30...500 Hz) conforming to IEC 60068-2-6 |
| shock resistance | 50 gn conforming to IEC 60068-2-27 |
| electrical shock protection class | Class I conforming to IEC 1140 Class I conforming to IEC 536 Class I conforming to NF C 20-030 |
| IP degree of protection | IP66 conforming to EN/IEC 60529 |

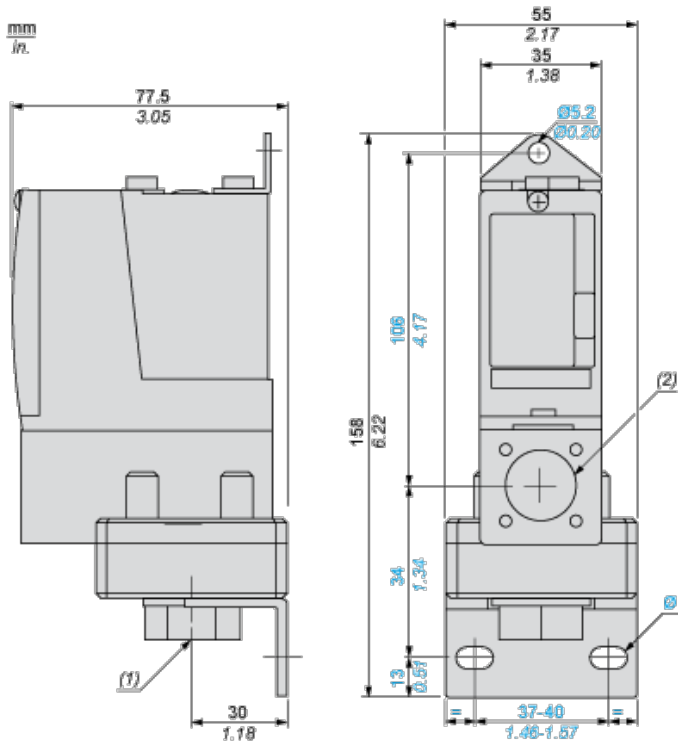
Offer Sustainability

| | |
|---|---|
| Not Green Premium product | Not Green Premium product |
| Compliant - since 0938 - Schneider Electric declaration of conformity | Compliant - since 0938 - Schneider Electric declaration of conformity |
| Reference not containing SVHC above the threshold | Reference not containing SVHC above the threshold |
| Need no specific recycling operations | Need no specific recycling operations |

Contractual warranty

| | |
|-----------------|-----------|
| Warranty period | 18 months |
|-----------------|-----------|

Dimensions



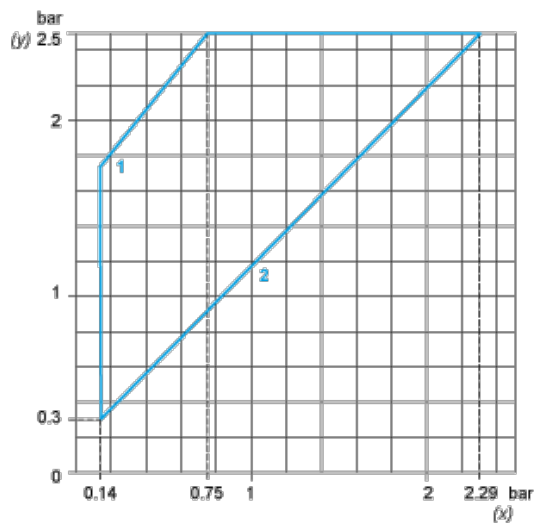
- (1) 1 fluid entry, tapped G1/4 (BSP female)
- (2) 1 electrical connections entry, tapped M20 x 1.5
- Ø : 2 elongated holes Ø 10.2 x 5.2

Wiring Diagram

Terminal Model



Operating Curves



- (y) Rising pressure
- (x) Falling pressure
- 1 : Maximum differential
- 2 : Minimum differential



(y) Pressure

(x) Time

(1) Adjustable value

PH : High point

PB : Below point