

XMLB001R2S12EX

vlačna sklopka XML-B – 1 bar – 2 podesiva praga – 1 C/O



Glavno

Range of product	OsiSense ATEX D
Pressure sensor type	Electromechanical pressure sensor
Product specific application	ATEX D
Pressure sensor name	XMLB
Electrical circuit type	Control circuit
Pressure switch type of operation	Regulation between 2 thresholds
Scale type	Adjustable differential
Pressure sensor size	1 bar
Local display	With
Fluid connection type	G 1/4 (female) conforming to ISO 228
Adjustable range of switching point on falling pressure	0.01...0.94 bar
Adjustable range of switching point on rising pressure	0.05...1 bar
Possible differential maximum at 0.75 bar high setting	
Maximum permissible accidental pressure	2.25 bar
Destruction pressure	4.5 bar
Pressure actuator	Diaphragm
Controlled fluid	Air 0...70 °C Hydraulic oil 0...70 °C Water 0...70 °C
Materials in contact with fluid	FPM, FKM Stainless steel Steel
Enclosure material	Zinc alloy

Komplementarno

Maximum permissible pressure - per cycle	1.25 bar
Cable entry number	1 tapped entry for M20 x 1.5 cable gland (included)
Terminal block type	4 terminals
Repeat accuracy	2 %
Auxiliary contacts operation	Snap action
Contacts material	Silver contacts
Mechanical durability	4000000 cycles
Setting	External
Terminals description ISO n°1	(13-14-11-12)OF
Height	162 mm
Depth	110 mm
Width	110 mm

Okolina

standards	EN/IEC 60079-0 EN/IEC 60079-31
directives	2014/34/EU - ATEX directive
product certifications	INERIS 04ATEX0058 IEC-Ex INE 17.0019
marking	II2 D-Ex tb IIIC T85°C Db IP66

Informacije dane u ovoj dokumentaciji sadrže opće opise i/ili tehničke karakteristike o performansama ovdje sadržanih proizvoda. Ova dokumentacija nije namijenjena kao zamjena za niti bi se trebala koristiti za određivanje prikladnosti ili pouzdanosti predmetnih proizvoda za konkretne korisničke primjene. Svaki takav korisnik ili integrator dužan je provesti odgovarajuću i poplunu analizu rizika, procjenu i ispitivanje proizvoda u odnosu na odgovarajuću specifičnu primjenu ili uporabu istog. Niti društvo Schneider Electric Industries SAS niti bilo koje od njegovih povezanih podružnica neće preuzeti obvezu ili snositi odgovornost za pogrešnu upotrebu ovdje sadržanih informacija.

protective treatment	TC
ambient air temperature for operation	-20...60 °C
operating position	Any position

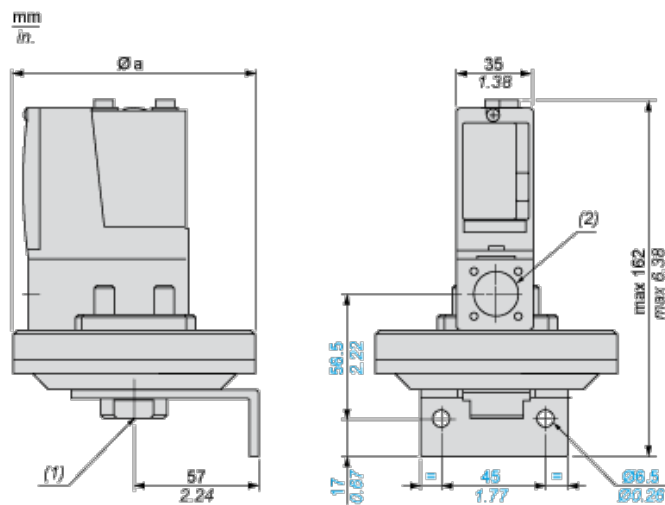
Offer Sustainability

Not Green Premium product	Not Green Premium product
Compliant - since 1001 - Schneider Electric declaration of conformity	Compliant - since 1001 - Schneider Electric declaration of conformity
Reference not containing SVHC above the threshold	Reference not containing SVHC above the threshold
Need no specific recycling operations	Need no specific recycling operations

Contractual warranty

Warranty period	18 months
-----------------	-----------

Dimensions



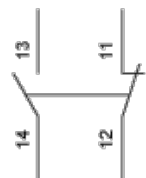
$\varnothing a$ 110 mm / 4.33 in.

=

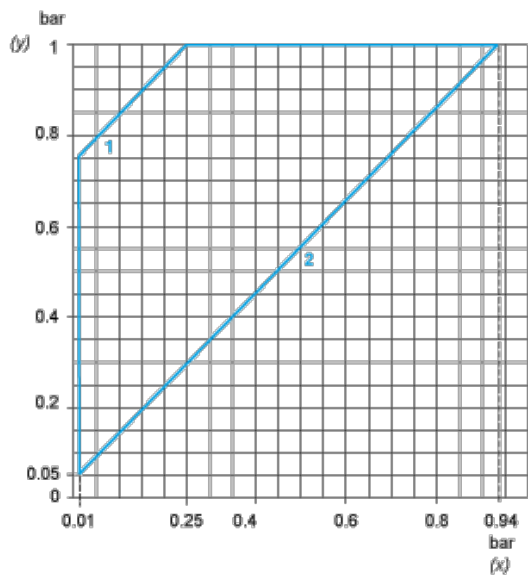
- (1) 1 fluid entry, tapped G1/4 (BSP female)
- (2) 1 electrical connections entry, tapped M20 x 1.5

Wiring Diagram

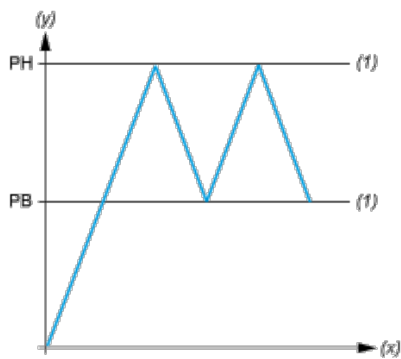
Terminal Model



Operating Curves



- (y) Rising pressure
- (x) Falling pressure
- 1 : Maximum differential
- 2 : Minimum differential



- (y) Pressure
- (x) Time
- (1) Adjustable value
- PH : High point
- PB : Below point