

XGSZ33ETH

Priključna kutija Modbus TCP/IP – 3 kanala za pametne antene XGCS



Glavno

Range of product	OsiSense XG
Product or component type	Connection Ethernet box
Device short name	XGSZ33
Number of channels	3
Communication port protocol	Modbus TCP/IP
Station name	XGCS49 XGCS89
Electrical connection	1 male connector M12 4 pins for power supply (A coding) 3 female connectors M12 5 pins for stations XGCS (A coding) 1 connector M12 4 pins for Ethernet network (D coding)
[Us] rated supply voltage	24 V DC conforming to Protective Extra Low Voltage

Komplementarno

Bus conformity class	A10
Supply voltage limits	19.2...29 V DC
Power consumption in W	< 1 W
Status LED	1 LED (green) for Ethernet network activity 1 LED (green) for supply on 1 LED (red) for collision detection 1 LED (red) for fault 1 LED (yellow) for diagnostics
Communication service	Modbus messaging
Register words	1...123 words
Port Ethernet	100BASE-TX 10BASE-T
Transmission support medium	Ethernet cable
Transmission rate	10/100 Mbit/s
Marking	CE
Product weight	1.06 kg

Okolina

product certifications	UL
ambient air temperature for operation	0...70 °C
ambient air temperature for storage	-40...85 °C
relative humidity	30...95 %
IP degree of protection	IP65
EMC filter	Class B EMC filter conforming to EN 55022 Level 3 EMC filter conforming to IEC 61000

Offer Sustainability

Green Premium product	Green Premium product
Compliant - since 0824 - Schneider Electric declaration of conformity	Compliant - since 0824 - Schneider Electric declaration of conformity
Reference not containing SVHC above the threshold	Reference not containing SVHC above the threshold

Available

Available

Available

Available

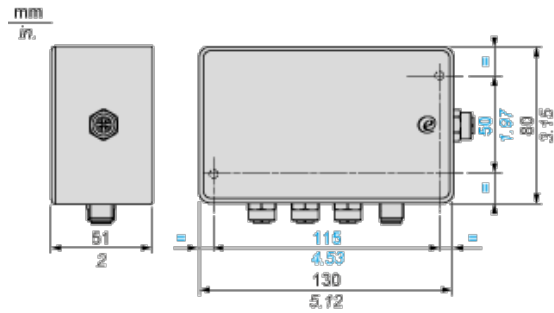
Contractual warranty

Warranty period

18 months

Dimensions

Connection Boxes



Wiring Diagram

Ethernet Connections

Socket to Smart Antenna Cabling



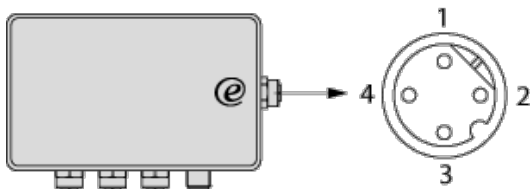
Pin no.	Signal
1	Earth
2	+ 24 VDC
3	0 V
4	D0
5	D1

Socket to Power Supply Cabling

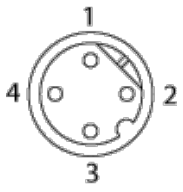


Pin no.	Signal
1	+ 24 VDC
2	+ 24 VDC
3	0 VDC
4	0 VDC

Socket to Ethernet connection



Socket to Ethernet cabling (M12 connectors)



Pin no.	Signal
1	TD+
2	TD-
3	RD+
4	RD-