

XCC3510PV84FBN

apsol. enkoder Ø58 višekretajni-čvrsta osovina
10mm-25-bitni binarni-PROFIBUS



Glavno

Range of product	OsiSense XCC
Encoder type	Multiturn absolute encoder fieldbus
Device short name	XCC
Product specific application	-
Diameter	58 mm
Bus type	Profibus DP 3.062 V1.1. IEC 61158, EN 50170 class 2, IEC 61784, EN 50254
Shaft diameter	10 mm
Shaft type	Solid shaft
Resolution	4096 turns/8192 points
Electrical connection	3 cable glands Pg 9 radial external supply
Type of output stage	PROFIBUS-DP 25-bit
[Us] rated supply voltage	24 V DC
Transmission rate	9.6 kbit/s...12000 kbit/s
Enclosure material	Aluminium

Komplementarno

Shaft tolerance	H8
Supply voltage limits	10...30 V DC
Maximum revolution speed	6000 rpm
Shaft moment of inertia	30 g.cm ²
Torque value	0.003 N.m
Maximum load	11 daN radial
Output frequency	800 kHz
Current consumption	0...100 mA no-load
Protection type	Reverse polarity protection Voltage peaks protection
Status LED	1 LED green status 1 LED red error
Surge withstand	0.5 kV level 1 IEC 61000-4-5
Base material	Aluminium
Shaft material	Stainless steel
Type of ball bearings	6000ZZ1
Product weight	0.56 kg

Okolina

product certifications	DIN VDE 0160 PNO Schneider Electric interoperability standards
marking	CE
ambient air temperature for operation	-40...85 °C
ambient air temperature for storage	-40...85 °C
IP degree of protection	IP64 IEC 60529
vibration resistance	10 gn (10...2000 Hz) IEC 60068-2-6
shock resistance	100 gn (6 ms) IEC 60068-2-27
resistance to electrostatic discharge	2 kV contact discharge level 2 IEC 61000-4-2 4 kV air discharge level 2 IEC 61000-4-2

Informacije dane u ovoj dokumentaciji sadrže opće i/ili tehničke karakteristike o performansama ovdje sadržanih proizvoda. Ova dokumentacija nije namijenjena kao zamjena za niti bi se trebala koristiti za određivanje prikladnosti ili pouzdanosti predmetnih proizvoda za konkretne korisničke primjene. Svaki takav korisnik ili integrator dužan je provesti odgovarajuću i poplunu analizu rizika, procjenu i ispitivanje specifičnu primjenu ili uporabu istog. Niti društvo Schneider Electric Industries SAS niti bilo koje od njegovih povezanih podružnica neće preuzeti obvezu ili snositi odgovornost za pogrešnu upotrebu ovdje sadržanih informacija.

resistance to electromagnetic fields	10 V/m level 3 IEC 61000-4-3
resistance to fast transients	1 kV signal ports level 3 IEC 61000-4-4 2 kV power ports level 3 IEC 61000-4-4

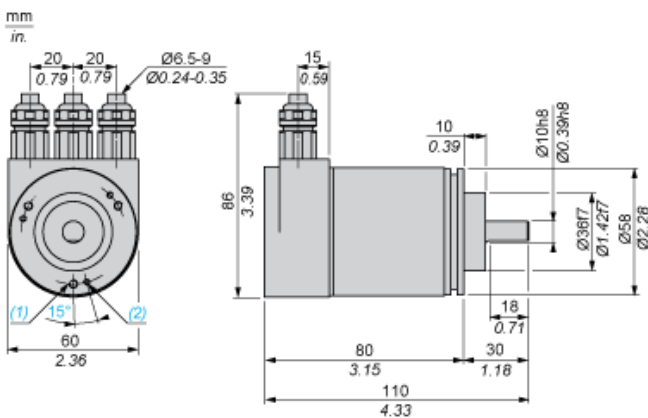
Offer Sustainability

Not Green Premium product	Not Green Premium product
Compliant - since 1136 - Schneider Electric declaration of conformity	Compliant - since 1136 - Schneider Electric declaration of conformity
Reference not containing SVHC above the threshold	Reference not containing SVHC above the threshold

Contractual warranty

Warranty period	18 months
-----------------	-----------

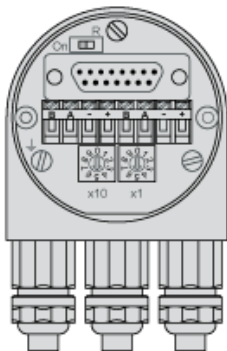
Dimensions



- (1) 3 M4 holes at 120° on 48 PCD, depth: 6 mm
- (2) 3 M3 holes at 120° on 48 PCD, depth: 6 mm

Wiring Diagram

PROFIBUS-DP Connections

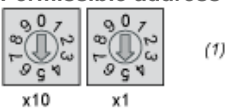


Bus termination resistor



- (1) 1st or last encoder
- (2) Encoder X

Permissible address range



- (1) 0 => 99

Terminal	Grounding	B (left)	A (left)	-	+
Function	Earth	Bus line B (Bus in)	Bus line A (Bus in)	0 V	11-30 V

Terminal	B (right)	A (right)	-	+
Function	Bus line B (Bus out)	Bus line A (Bus out)	0 V	11-30 V