

## XCC2514TS81KB

apsolutni enkoder Ø58 1-okret.–osovina s provrtom  
14mm–uvl-izv. 13-bitni binarni



### Glavno

|                              |                                     |
|------------------------------|-------------------------------------|
| Range of product             | OsiSense XCC                        |
| Encoder type                 | Single turn absolute encoder        |
| Device short name            | XCC                                 |
| Product specific application | -                                   |
| Diameter                     | 58 mm                               |
| Shaft diameter               | 14 mm                               |
| Shaft type                   | Through shaft                       |
| Resolution                   | 8192 points                         |
| Electrical connection        | 1 male connector M23 radial 16 pins |
| Output stage                 | Type KB                             |
| Type of output stage         | Driver push-pull binary             |
| [Us] rated supply voltage    | 11...30 V DC                        |
| Enclosure material           | Zamak                               |

### Komplementarno

|                          |  |
|--------------------------|--|
| Shaft tolerance          | H7   |
| Residual ripple          | 500 mV   |
| Maximum revolution speed | 6000 rpm   |
| Shaft moment of inertia  | 22 g.cm <sup>2</sup>   |
| Torque value             | 0.006 N.m  |
| Maximum load             | 2 daN axial<br>5 daN radial  |
| Output frequency         | 100 kHz  |
| Current consumption      | 0...100 mA no-load   |
| Protection type          | Reverse polarity protection<br>Short-circuit protection                      |
| Maximum output current   | 20 mA  |
| Output level             | Low level: 0.5 V maximum 20 mA<br>High level: V supply - 2.5 V minimum 20 mA |
| Surge withstand          | 1 kV level 2 IEC 61000-4-5   |
| Base material            | Aluminium  |
| Shaft material           | Stainless steel  |
| Type of ball bearings    | 6803ZZ   |
| Product weight           | 0.435 kg   |

### Okolina

|                                       |  |
|---------------------------------------|--|
| marking                               | CE   |
| ambient air temperature for operation | -20...90 °C  |
| ambient air temperature for storage   | -30...85 °C  |
| IP degree of protection               | IP65 IEC 60529   |
| vibration resistance                  | 10 gn (10...2000 Hz) IEC 60068-2-6   |
| shock resistance                      | 30 gn (11 ms) IEC 60068-2-27   |
| resistance to electrostatic discharge | 4 kV contact discharge level 3 IEC 61000-4-2<br>8 kV air discharge level 3 IEC 61000-4-2 |
| resistance to electromagnetic fields  | 10 V/m level 3 IEC 61000-4-3   |
| resistance to fast transients         | 1 kV signal ports level 3 IEC 61000-4-4<br>2 kV power ports level 3 IEC 61000-4-4        |

Informacije dane u ovoj dokumentaciji sadrže opće opise i/ili tehničke karakteristike o performansama ovdje sadržanih proizvoda.  
 Ova dokumentacija nije namijenjena kao zamjena za niti bi se trebala koristiti za određivanje prikladnosti ili pouzdanosti predmetnih proizvoda za konkretne korisničke primjene.  
 Svaki takav korisnik ili integrator dužan je provesti odgovarajuću i potpunu analizu rizika, procjenu i ispitivanje proizvoda u odnosu na odgovarajuću specifičnu primjenu ili uporabu istog.  
 Niti društvo Schneider Electric Industries SAS niti bilo koje od njegovih povezanih poduzeća ili podružnica neće preuzeti obvezu ili snositi odgovornost za pogrešnu upotrebu ovdje sadržanih informacija.

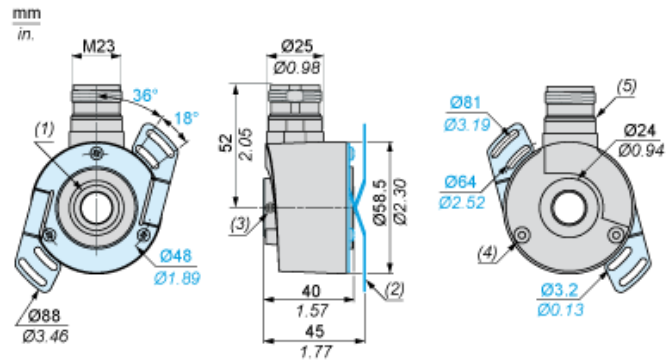
## Offer Sustainability

|   |   |
|---|---|
| Not Green Premium product   | Not Green Premium product   |
| Compliant - since 0701 - Schneider Electric declaration of conformity | Compliant - since 0701 - Schneider Electric declaration of conformity |
| Reference not containing SVHC above the threshold                     | Reference not containing SVHC above the threshold                     |

## Contractual warranty

|                 |           |
|-----------------|-----------|
| Warranty period | 18 months |
|-----------------|-----------|

## Dimensions

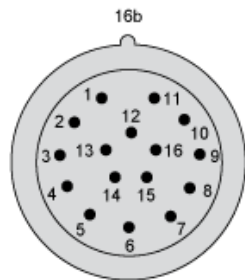


- (1) Through shaft, Ø 14 (H7)
- (2) Flexible mounting kit, 1 x XCCRF5N mounted
- (3) 2 HC M4 x 4 locking screws
- (4) Hole for M3 x 6 self-threading screw
- (5) Nitrile seal

## Wiring Diagram

### M23, 16-pin Connector, Anticlockwise Connections

#### Male Connector on Encoder

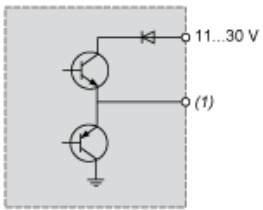


| Pin number    | 1   | 2  | 3  | 4  | 5  | 6  | 7  | 8  | 9  | 10 | 11 | 12 | 13  | 14  | 15  | 16               |
|---------------|-----|----|----|----|----|----|----|----|----|----|----|----|-----|-----|-----|------------------|
| Signal Supply | 0 V | +V | d0 | d1 | d2 | d3 | d4 | d5 | d6 | d7 | d8 | d9 | d10 | d11 | d12 | Direction<br>(1) |

- (1) : Clockwise direction, 16 to + V
- : Anticlockwise direction, 16 to 0 V

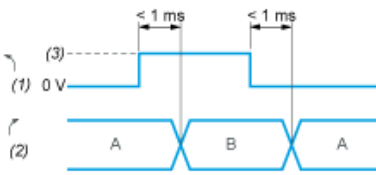
## Technical Description

### Type KB and KG (N) Output Stage



(1) Output

**KB and KG (N) DIRECTION Input**



A : Anticlockwise

B : Clockwise

(1) DIRECTION input

(2) DIRECTION of counting

(3) V supply