

XCC1514TS50X

inkrementalni enkoder Ø 58 – osovina s provrtom 14 mm – 5000 točaka – 5V RS422



Glavno

| | |
|------------------------------|-------------------------------------|
| Range of product | OsiSense XCC |
| Encoder type | Incremental encoder |
| Encoder name | XCC |
| Product specific application | - |
| Diameter | 58 mm |
| Shaft diameter | 14 mm |
| Shaft type | Through shaft |
| Resolution | 5000 points |
| Output stage | Type X |
| Type of output stage | Driver 5V, RS422 |
| Electrical connection | 1 male connector M23 radial 12 pins |
| [Us] rated supply voltage | 4.75...30 V DC |
| Enclosure material | Zamak |

Komplementarno

| | |
|--------------------------|---|
| Shaft tolerance | H7 |
| Residual ripple | 500 mV |
| Maximum revolution speed | 6000 rpm |
| Shaft moment of inertia | 22 g.cm ² |
| Torque value | 0.006 N.m |
| Maximum load | 2 daN axial 5 daN radial |
| Output frequency | 300 kHz |
| Number of channels | 3 |
| Current consumption | 0...75 mA (no-load) |
| Protection type | Reverse polarity protection Short-circuit protection |
| Maximum output current | 40 mA |
| Output level | Low level: 0.5 V maximum (20 mA) High level: 4.5 V minimum (20 mA) |
| Surge withstand | 1 kV, level 2 conforming to IEC 61000-4-5 |
| Base material | Aluminium |
| Shaft material | Stainless steel |
| Type of ball bearings | 6803ZZ |
| Product weight | 0.435 kg |

Okolina

| | |
|---------------------------------------|--|
| marking | CE |
| ambient air temperature for operation | -30...100 °C |
| ambient air temperature for storage | -30...85 °C |
| IP degree of protection | IP65 conforming to IEC 60529 |
| vibration resistance | 10 gn (f = 55...2000 Hz) conforming to IEC 60068-2-6 |
| shock resistance | 30 gnfor 11 ms conforming to IEC 60068-2-27 |
| resistance to electrostatic discharge | 8 kV (air discharge) level 3 conforming to IEC 61000-4-2 4 kV (contact discharge) level 3 conforming to IEC 61000-4-2 |
| resistance to electromagnetic fields | 10 V/m level 3 conforming to IEC 61000-4-3 |
| resistance to fast transients | 1 kV (signal ports) level 3 conforming to IEC 61000-4-4 |

Informacije dane u ovoj dokumentaciji sadrže opće opise i/ili tehničke karakteristike o performansama ovdje sadržanih proizvoda. Ova dokumentacija nije namijenjena kao zamjena za niti bi se trebala koristiti za određivanje prikladnosti ili pouzdanosti predmetnih proizvoda za konkretne korisničke primjene. Svaki takav korisnik ili integrator dužan je provesti odgovarajuću i poplunu analizu rizika, procjenu i ispitivanje proizvoda u odnosu na odgovarajuću specifičnu primjenu ili uporabu istog. Niti društvo Schneider Electric, Industries SAS niti bilo koje od njegovih povezanih poduzeća ili podružnica neće preuzeti obvezu ili snositi odgovornost za pogrešnu upotrebu ovdje sadržanih informacija.

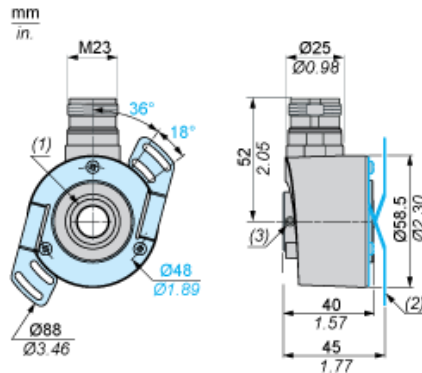
Offer Sustainability

| | |
|---|---|
| Not Green Premium product | Not Green Premium product |
| Compliant - since 0701 - Schneider Electric declaration of conformity | Compliant - since 0701 - Schneider Electric declaration of conformity |
| Reference not containing SVHC above the threshold | Reference not containing SVHC above the threshold |

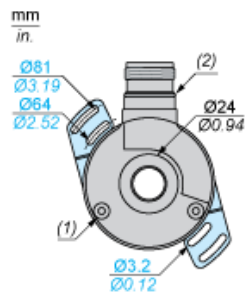
Contractual warranty

| | |
|-----------------|-----------|
| Warranty period | 18 months |
|-----------------|-----------|

Dimensions



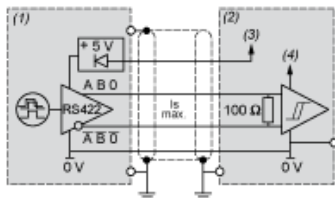
- (1) Through shaft, $\varnothing 14$ (H7)
- (2) Flexible mounting kit, 1 x XCCRF5N mounted
- (3) 2 HC M4 x 4 locking screws



- (1) Hole for M3 x 6 self-threading screw
- (2) Nitrile seal

Wiring Diagram

Type X Output Stage

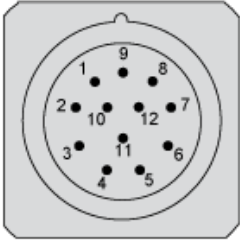


- (1) Encoder
- (2) Processing
- (3) Supply 4.75 V/30 V
- (4) Supply 5 V

Wiring Diagram

M23, 12-pin Connector Connections

Male Connector on Encoder



| Pin number | 1 | 2 | 3 | 4 | 5 | 6 | 7 | 8 | 9 | 10 | 11 | 12 |
|---------------|----------------|----|---|----------------|---|----------------|---|---|---|-----|-----|----|
| Signal Supply | A ⁻ | +V | 0 | 0 ⁻ | B | B ⁻ | R | A | R | 0 V | 0 V | +V |

R = reserved, do not connect