

XCC1406PR11K

inkrementalni enkoder Ø 40 – čvrsta osovina 6 mm –
1024 točke – uvlačno-izvlačni



Glavno

| | |
|------------------------------|--------------------------|
| Range of product | OsiSense XCC |
| Encoder type | Incremental encoder |
| Encoder name | XCC |
| Product specific application | - |
| Diameter | 40 mm |
| Shaft diameter | 6 mm |
| Shaft type | Solid shaft |
| Resolution | 1024 points |
| Output stage | Type K |
| Type of output stage | Driver push-pull |
| Electrical connection | Cable radial shielded |
| Cable length | 2 m |
| Cable composition | 8 x 0.14 mm ² |
| [Us] rated supply voltage | 11...30 V DC |
| Enclosure material | Aluminium Zamak |

Komplementarno

| | |
|--------------------------|--|
| Shaft tolerance | G7 |
| Cable outer diameter | 6 mm |
| Residual ripple | 500 mV |
| Maximum revolution speed | 9000 rpm |
| Shaft moment of inertia | 10 g.cm ² |
| Torque value | 0.002 N.m |
| Maximum load | 1 daN axial 2 daN radial |
| Output frequency | 100 kHz |
| Number of channels | 3 |
| Current consumption | 0...75 mA (no-load) |
| Protection type | Reverse polarity protection Short-circuit protection |
| Maximum output current | 40 mA |
| Output level | Low level: 1.5 V maximum (20 mA) High level: V supply - 3 V minimum (20 mA) |
| Surge withstand | 1 kV, level 2 conforming to IEC 61000-4-5 |
| Base material | Aluminium Zamak |
| Shaft material | Aluminium Stainless steel |
| Type of ball bearings | 688AZZ1 |
| Product weight | 0.355 kg |

Okolina

| | |
|---------------------------------------|------------------------------|
| marking | CE |
| ambient air temperature for operation | -20...80 °C |
| ambient air temperature for storage | -30...85 °C |
| IP degree of protection | IP54 conforming to IEC 60529 |

Informacije dane u ovoj dokumentaciji sadrže opće opise i/ili tehničke karakteristike o performansama ovdje sadržanih proizvoda.
 Ova dokumentacija nije namijenjena kao zamjena za niti bi se trebala koristiti za određivanje prikladnosti ili pouzdanosti predmetnih proizvoda za konkretne korisničke primjene.
 Svaki takav korisnik ili integrator dužan je provesti odgovarajuću i poipunu analizu rizika, procjenu i ispitivanje proizvoda u odnosu na odgovarajuću specifičnu primjenu ili uporabu istog.
 Niti društvo Schneider Electric Industries SAS niti bilo koje od njegovih povezanih poduzeća ili podružnica neće preuzeti obvezu ili snositi odgovornost za pogrešnu upotrebu ovdje sadržanih informacija.

| | |
|---------------------------------------|--|
| vibration resistance | 10 gn (f = 10...500 Hz) conforming to IEC 60068-2-6 |
| shock resistance | 30 gnfor 11 ms conforming to IEC 60068-2-27 |
| resistance to electrostatic discharge | 8 kV (air discharge) level 3 conforming to IEC 61000-4-2 4 kV (contact discharge) level 3 conforming to IEC 61000-4-2 |
| resistance to electromagnetic fields | 10 V/m level 3 conforming to IEC 61000-4-3 |
| resistance to fast transients | 1 kV (signal ports) level 3 conforming to IEC 61000-4-4 2 kV (power ports) level 3 conforming to IEC 61000-4-4 |

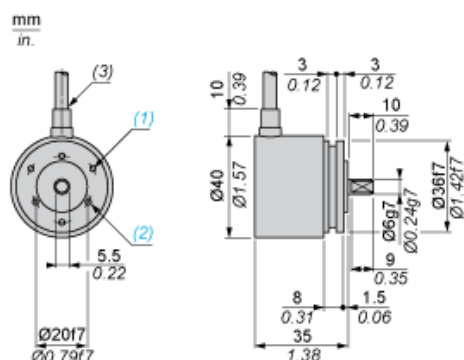
Offer Sustainability

| | |
|---|---|
| Not Green Premium product | Not Green Premium product |
| Compliant - since 0701 - Schneider Electric declaration of conformity | Compliant - since 0701 - Schneider Electric declaration of conformity |
| Reference not containing SVHC above the threshold | Reference not containing SVHC above the threshold |

Contractual warranty

| | |
|-----------------|-----------|
| Warranty period | 18 months |
|-----------------|-----------|

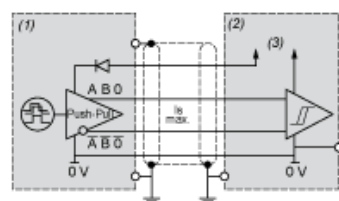
Dimensions



- (1) 3 holes M3 x 0.5 at 120° on 28 PCD, depth: 5 mm
- (2) 3 holes M3 x 0.5 at 120° on 24 PCD, depth: 5 mm
- (3) Ø 6 cable, length 2 m, minimum bend radius: 30 mm

Wiring Diagram

Type K Output Stage



- (1) Encoder
- (2) Processing
- (3) Supply 11 V/30 V

Wiring Diagram

Cable Connections

| Wire colour | BN | RD | VT | BU | YE | OG | GN | BK |
|---------------|----------------|----|----|----------------|----|----------------|----|----|
| Signal Supply | A ⁻ | +V | 0 | 0 ⁻ | B | B ⁻ | A | 0V |

BN = Brown

RD = Red

VT = Violet

BU = Blue
YE = Yellow
OG = Orange
GN = Green
BK = Black