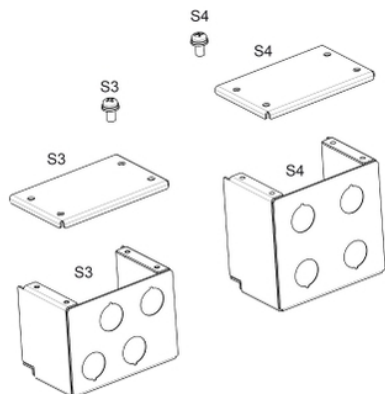


Product data sheet

Characteristics

VW3A31813

komplet za usklađenost s UL tip 1 – montiran ispod pogona promjenjive brzine



Main

Range of product	Altivar
Accessory / separate part category	Connection accessories
Accessory / separate part type	Kit for UL type 1 conformity
Product compatibility	ATV312HU11M3 ATV312HU15M3
Accessory / separate part destination	Ensuring UL type 1 conformity to Altivar 31 drive

Complementary

Range compatibility	Altivar 312 Solar Altivar 312
Kit composition	Mechanical device
Mounting location	Underside of drive
Neto težina	0,4 kg

Environment

Standards	UL Type 1
-----------	-----------

Offer Sustainability

Uredba REACh	Izjava REACh
REACh, bez SVHC	Da
Direktiva EU RoHS	Proaktivna sukladnost (proizvod izvan zakonskog okvira direktive EU RoHS) Izjava EU RoHS
Bez žive	Da
Informacije o RoHS izuzeću	Da
Propis RoHS za Kinu	Izjava RoHS Za Kinu

Contractual warranty

Jamstvo	18 months
---------	-----------