

TM2DDO16TK

odvojeni izlazni modul M238 – 16 izlaza 24 V
tranzistor – 1 konektor HE10



Glavno

Range of product	Modicon M238 logic controller
Product or component type	Discrete output module
Discrete output number	16
Discrete output type	Transistor
Discrete output voltage	24 V
Discrete output logic	Source
Discrete output current	0.4 A

Komplementarno

Range compatibility	Advantys OTB Twindo
Output voltage limits	20.4...28.8 V
Current per channel	0.48 A
Current per output common	2 A
Number of common point	1
Response time	450 µs from state 0 to state 1 450 µs from state 1 to state 0
[Ures] residual voltage	<= 1 V at state 1
Leakage current	0.1 mA
Inductive load	<= 10 mH
Tungsten load	<= 9.6 W
Short-circuit protection	With automatic reactivator
Overload protection	With automatic reactivator
Isolation between channels	None
Isolation between channels and internal logic	500 V for 1 minute
Current consumption	15 mA 5 V DC at state 1 for all output 20 mA 24 V DC at state 1 for all output
Local signalling	2 display blocks
Electrical connection	1 connector HE10
Mounting support	35 mm symmetrical DIN rail
Product weight	0.07 kg

Okolina

depth	81.3 mm
height	90 mm
width	21.4 mm

Offer Sustainability

Green Premium product	Green Premium product
Compliant - since 1039 - Schneider Electric declaration of conformity	Compliant - since 1039 - Schneider Electric declaration of conformity
Reference not containing SVHC above the threshold	Reference not containing SVHC above the threshold
Available	Available

Informacije dane u ovoj dokumentaciji sadrže opće opise i/ili tehničke karakteristike o performansama ovdje sadržanih proizvoda. Ova dokumentacija nije namijenjena kao zamjena za niti bi se trebala koristiti za određivanje prikladnosti ili pouzdanosti predmetnih proizvoda za konkretne korisničke primjene. Svaki takav korisnik ili integrator dužan je provesti odgovarajuću i potpunu analizu rizika, procjenu i ispitivanje proizvoda u odnosu na odgovarajuću specifičnu primjenu ili uporabu istog. Niti društvo Schneider Electric Industries SAS niti bilo koje od njegovih povezanih poduzeća ili podružnica neće preuzeti obvezu ili snositi odgovornost za pogrešnu upotrebu ovdje sadržanih informacija.

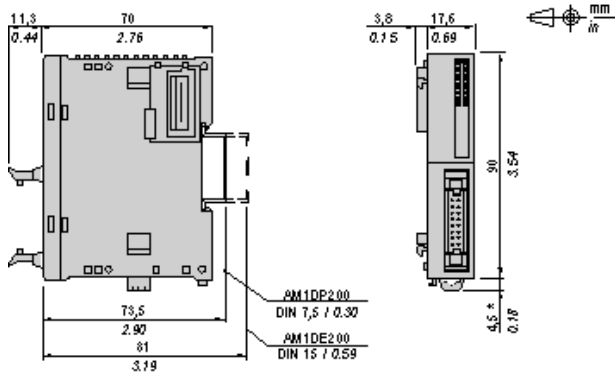
Contractual warranty

Warranty period

18 months

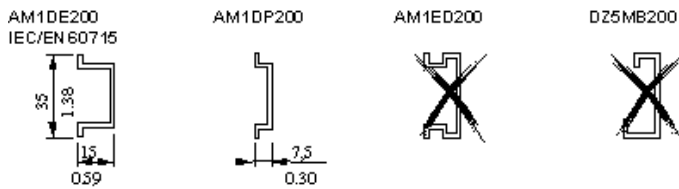
Digital Transistor Output Module (16-channel, Source)

Dimensions



NOTE: * 8.5 mm (0.33 in) when the clamp is pulled out.

DIN Rail Mounting

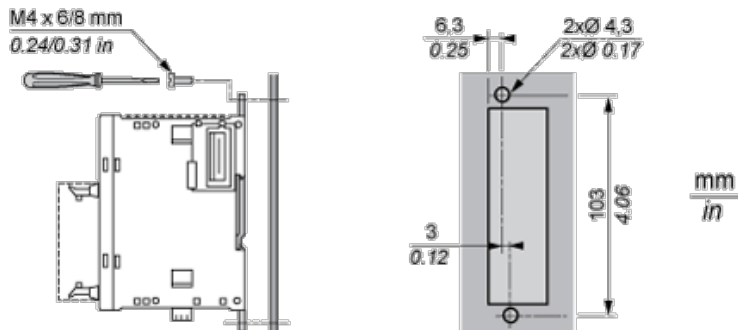


Rail depth	Catalogue part number
15 mm (0.59 in.)	AM1DE200
7,5 mm (0.30 in.)	AM1DP200

NOTE: Do not use AM1ED200 and DZ5MB200

Module Mounting on a Panel Surface

Mounting Hole Layout



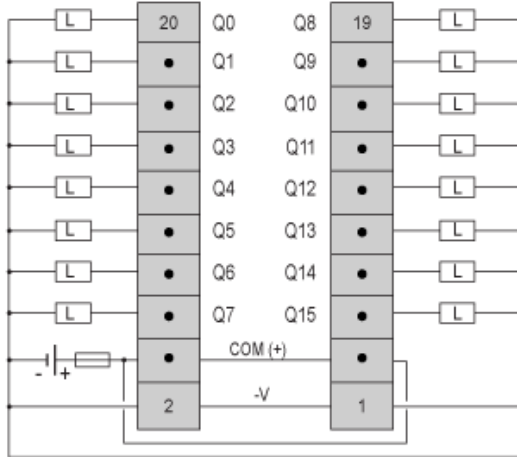
Wiring Requirements

Cable Types and Wire Sizes for Removable Screw Terminal Block

	mm ²	0,14...1,5	0,25...0,5	0,25...1,5	0,14...0,5	0,14...0,75	0,25...0,34
AWG	26...16	24...20	24...16	26...20	26...18	24...22	20

Digital Transistor Output Module (16-channel, Source)

Wiring Diagram



L Load

Fuse value for the load: 0.4 A

Fuse value for the power supply: 2 A