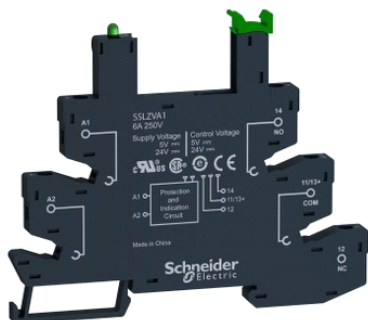


## SSLZVA4

utičnica SSL - 6 A - 230 V AC/DC - redna stezaljka - za relej SSL



### Glavno

Range of product	Zelio Relay
Product or component type	Socket
Device short name	SSLZ
Sale per indivisible quantity	10

### Komplementarno

Contact terminal arrangement	Separate
Product compatibility	Solid state relay SSL with NO contact at 230 V AC Solid state relay SSL with NO contact at 230 V DC
Shape of pin	Flat
[I <sub>th</sub> ] conventional free air thermal current	6 A
[I <sub>th</sub> ] conventional free air thermal current	6 A
[U <sub>e</sub> ] rated operational voltage	< 250 V AC/DC
Connections - terminals	Screw clamp terminals 1 x 0.2...1 x 2.5 mm <sup>2</sup> - AWG 24...AWG 14 , solid cable without cable end Screw clamp terminals 1 x 0.2...1 x 2.5 mm <sup>2</sup> - AWG 24...AWG 14 , flexible cable with cable end
Tightening torque	< 0.5 N.m - screw type M2.5
Fixing mode	By clip-on 35 mm DIN rail
Switching voltage	230 V AC/DC
Local signalling	LED green for input status
Width	6.2 mm
Height	101 mm
Depth	78.6 mm
Product weight	0.0285 kg

### Okolina

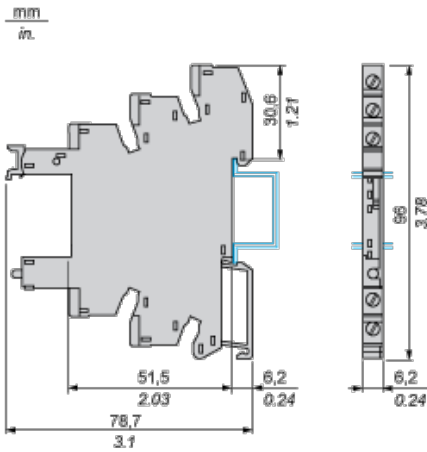
flame retardance	V0 conforming to UL 94
standards	IEC 61984
product certifications	CSA C22-2 No 14 RoHS UL 508 REACH
marking	CE
ambient air temperature for storage	-40...85 °C
ambient air temperature for operation	-40...70 °C
IP degree of protection	IP20
dielectric strength	2500 V

### Offer Sustainability

Green Premium product	Green Premium product
-----------------------	-----------------------

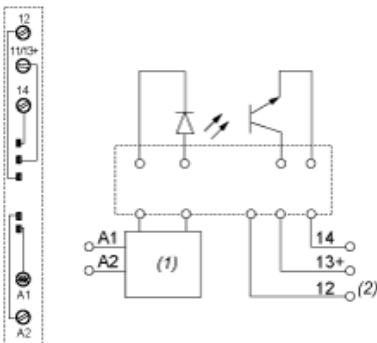
Informacije dane u ovoj dokumentaciji sadrže opće opise i/ili tehničke karakteristike o performansama ovdje sadržanih proizvoda. Ova dokumentacija nije namijenjena kao zamjena za niti bi se trebala koristiti za određivanje prikladnosti ili pouzdanosti predmetnih proizvoda za konkretne korisničke primjene. Svaki takav korisnik ili integrator dužan je provesti odgovarajuću i potpunu analizu rizika, procjenu i ispitivanje proizvoda u odnosu na odgovarajuću specifičnu primjenu ili uporabu istog. Niti društvo Schneider Electric Industries SAS niti bilo koje od njegovih povezanih poduzeća ili podružnica neće preuzeti obvezu ili snositi odgovornost za pogrešnu upotrebu ovdje sadržanih informacija.

## Dimensions



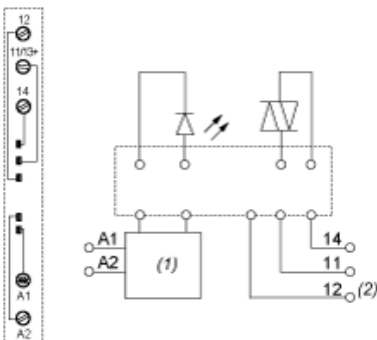
## Wiring Diagram

### Wiring Diagram for DC Output



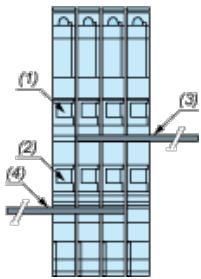
- (1) Protection circuit
- (2) Terminal 12 is not in use for SSL Relay

### Wiring Diagram for AC Output



- (1) Protection circuit
- (2) Terminal 12 is not in use for SSL Relay

### Example of RSLZ2 Bus Jumper Mounting on Sockets



- (1) A1
- (2) A2
- (3) Bus jumper polarity A1
- (4) Bus jumper polarity A2