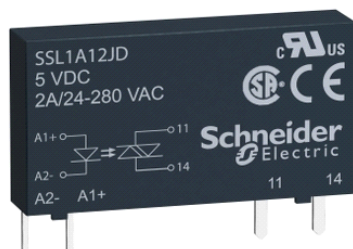


SSL1A12NDR

beskontaktni relej, utični, ulaz 38-72 V DC, izlaz 24-280 V AC, 2A



Glavno

Range of product	Zelio Relay
Product or component type	Solid state relay
Device short name	SSL
Network number of phases	1 phase

Komplementarno

Mounting support	Socket
[In] rated current	2 A
Output voltage	24...280 V AC
[Uc] control circuit voltage	90...140 V AC 190...250 V AC 38...72 V DC 190...250 V DC 90...140 V DC
Contacts type and composition	1 NO
Capacitance unbalance	1.5 pF input/output
Minimum switching voltage	38 V DC turn-on
Maximum switching voltage	28 V DC turn-off
Input current limits	4 mA
Input impedance	20 kOhm
Solid state output type	SCR output Random voltage switching
Load current	0.07...2 A
Absolute maximum voltage	600 V AC
Surge current	120 A for 16.6 ms 115 A for 20 ms
Voltage drop	<= 1.1 V on-state
Maximum I ² t for fusing	260 A ² .s for 8.3 ms at 60 Hz half cycle 285 A ² .s for 10 ms at 50 Hz half cycle
Leakage current	<= 4 mA off-state
DV/dt	500 V/μs off-state at maximum voltage
Response time	0.5 cycle turn-off 0.1 ms turn-on
Overvoltage category	III
Width	5 mm
Height	28 mm
Depth	15 mm
Product weight	0.0041 kg

Okolina

flame retardance	V0 conforming to UL 94
dielectric strength	2500 V for input/output

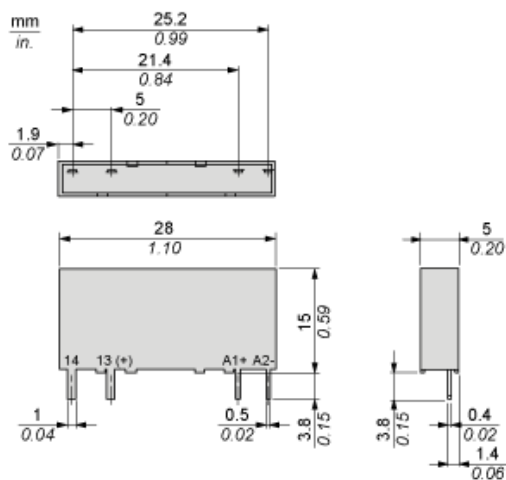
Informacije dane u ovoj dokumentaciji sadrže opće opise i/ili tehničke karakteristike o performansama ovdje sadržanih proizvoda. Ova dokumentacija nije namijenjena kao zamjena za niti bi se trebala koristiti za određivanje prikladnosti ili pouzdanosti predmetnih proizvoda za konkretne korisničke primjene. Svaki takav korisnik ili integrator dužan je provesti odgovarajuću i potpunu analizu rizika, procjenu i ispitivanje proizvoda u odnosu na odgovarajuću specifičnu primjenu ili uporabu istog. Niti društvo Schneider Electric, Industries SAS niti bilo koje od njegovih povezanih podružnica neće preuzeti obvezu ili snositi odgovornost za pogrešnu upotrebu ovdje sadržanih informacija.

pollution degree	2
product certifications	CSA UL REACH
marking	CE
ambient air temperature for operation	-20...80 °C
ambient air temperature for storage	-20...85 °C

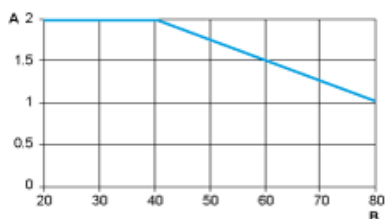
Offer Sustainability

Green Premium product	Green Premium product
Compliant - since 1417 - Schneider Electric declaration of conformity	Compliant - since 1417 - Schneider Electric declaration of conformity
Reference not containing SVHC above the threshold	Reference not containing SVHC above the threshold
Available	Available
Need no specific recycling operations	Need no specific recycling operations

Dimensions



Derating Curves



A : Load Current (Amperes)
B : Ambient Temperature (°C)