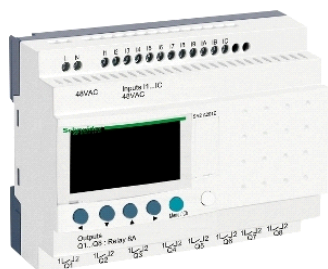


SR2A201E

kompaktni pametni relej Zelio Logic – 20 U I – 48 V
AC – bez sata – zaslon



Glavno

Range of product	Zelio Logic
Product or component type	Compact smart relay

Komplementarno

Local display	With
Number of control scheme lines	0...240 with ladder programming
[Us] rated supply voltage	48 V AC
Supply voltage limits	40.8...52.8 V
Supply frequency	50/60 Hz
Supply current	110 mA (without extension)
Power consumption in VA	5.7 VA without extension
Isolation voltage	1780 V
Discrete input number	12
Discrete input voltage	48 V AC
Discrete input current	1.2 mA
Discrete input frequency	47...53 Hz 57...63 Hz
Voltage state 1 guaranteed	≥ 20 V
Voltage state 0 guaranteed	≤ 17 V
Current state 1 guaranteed	≥ 0.5 mA
Current state 0 guaranteed	≤ 0.4 mA
Input impedance	24 kOhm
Number of outputs	8 relay output(s)
Output voltage limits	24...250 V AC 5...30 V DC
Contacts type and composition	NO
Output thermal current	8 A for all 8 outputs
Electrical durability	500000 cycles AC-12 at 230 V, 1.5 A for relay output conforming to EN/IEC 60947-5-1 500000 cycles AC-15 at 230 V, 0.9 A for relay output conforming to EN/IEC 60947-5-1 500000 cycles DC-12 at 24 V, 1.5 A for relay output conforming to EN/IEC 60947-5-1 500000 cycles DC-13 at 24 V, 0.6 A for relay output conforming to EN/IEC 60947-5-1
Switching capacity in mA	≥ 10 mA at 12 V
Operating rate in Hz	0.1 Hz (at Ie) for relay output 10 Hz (no load) for relay output
[Uimp] rated impulse withstand voltage	4 kV conforming to EN/IEC 60947-1 and EN/IEC 60664-1
Clock	Without
Response time	10 ms (from state 0 to state 1) for relay output 48 ms with ladder programming (from state 0 to state 1) for discrete input 5 ms (from state 1 to state 0) for relay output 50 ms with ladder programming (from state 1 to state 0) for discrete input
Product weight	0.38 kg

Informacije dane u ovoj dokumentaciji sadrže opće opise i/ili tehničke karakteristike o performansama ovdje sadržanih proizvoda.
Ova dokumentacija nije namijenjena kao zamjena za niti bi se trebala koristiti za određivanje prikladnosti ili pouzdanosti predmetnih proizvoda za konkretne korisničke primjene.
Svaki takav korisnik ili integrator dužan je provesti odgovarajuću i poipunu analizu rizika, procjenu i ispitivanje specifičnu primjenu ili uporabu istog.
Niti društvo Schneider Electric Industries SAS niti bilo koje od njegovih povezanih poduzeća ili podružnica neće preuzeti obvezu ili snositi odgovornost za pogrešnu upotrebu ovdje sadržanih informacija.

Okolina

immunity to microbreaks

<= 10 ms repeated 20 times

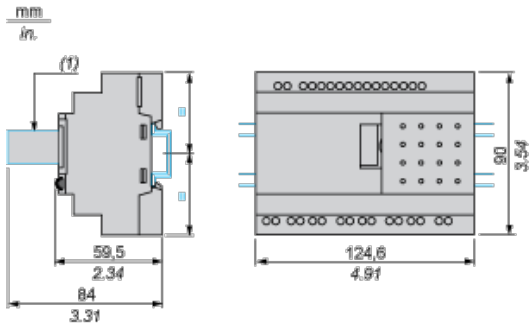
Contractual warranty

Warranty period

18 months

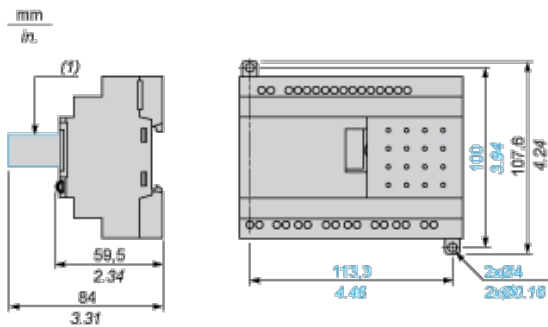
Compact and Modular Smart Relays

Mounting on 35 mm/1.38 in. DIN Rail



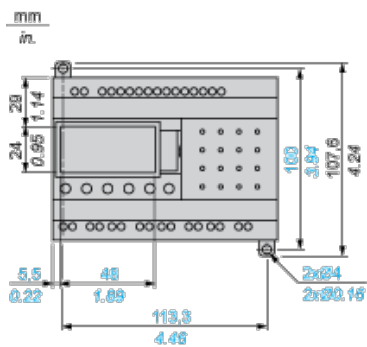
(1) With SR2USB01 or SR2BTC01

Screw Fixing (Retractable Lugs)



(1) With SR2USB01 or SR2BTC01

Position of Display

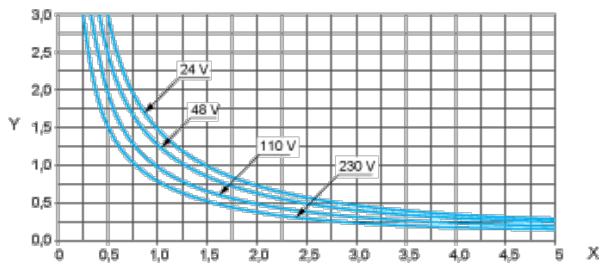


Compact and Modular Smart Relays

Electrical Durability of Relay Outputs

(in millions of operating cycles, conforming to IEC/EN 60947-5-1)

AC-12 (1)

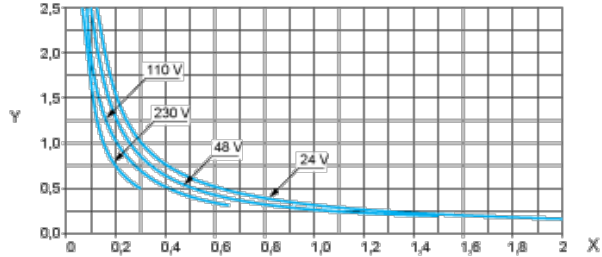


X: Current (A)

Y: Millions of operating cycles

(1) AC-12: switching resistive loads and opto-coupler isolated solid-state loads, $\cos \geq 0.9$.

AC-14 (1)

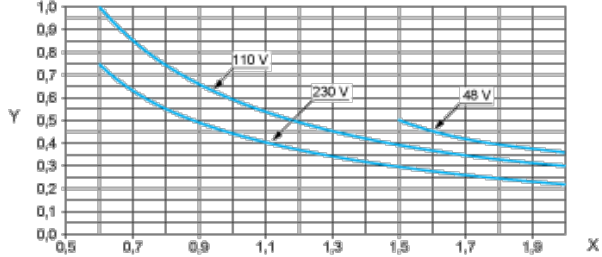


X: Current (A)

Y: Millions of operating cycles

(1) AC-14: switching small electromagnetic loads ≤ 72 VA, make: $\cos = 0.3$, break: $\cos = 0.3$.

AC-15 (1)



X: Current (A)

Y: Millions of operating cycles

(1) AC-15: switching electromagnetic loads ≥ 72 VA, make: $\cos = 0.7$, break: $\cos = 0.4$.