

RSLZVA1

vijčana utičnica s LED-om i zaštitnim strujnim krugom,
12-24 V



Glavno

| | |
|-------------------------------|--|
| Range of product | Zelio Relay |
| Product or component type | Socket |
| Contact terminal arrangement | Separate |
| Product compatibility | Plug-in relay, RSL, 1 C/O, control circuit12 V DC Plug-in relay, RSL, 1 C/O, control circuit24 V DC |
| Shape of pin | Flat |
| Device short name | RSLZ |
| Device presentation | Basic element |
| Sale per indivisible quantity | 10 |
| Switching voltage | 24 V AC/DC 12 V AC/DC |

Komplementarno

| | |
|--|---|
| [I _{th}] conventional free air thermal current | 6 A |
| [U _e] rated operational voltage | < 300 V AC |
| Tightening torque | < 0.5 N.m (M2.5) |
| Fixing mode | Plastic compression spring mounting on 35 mm symmetrical DIN rail |
| Marking | CE |
| CAD overall width | 6.2 mm |
| CAD overall height | 78.6 mm |
| CAD overall depth | 95 mm |
| Product weight | 0.023 kg |
| Rated operational voltage limits | 11.4...14.4 V 21.6...28.8 V |

Okolina

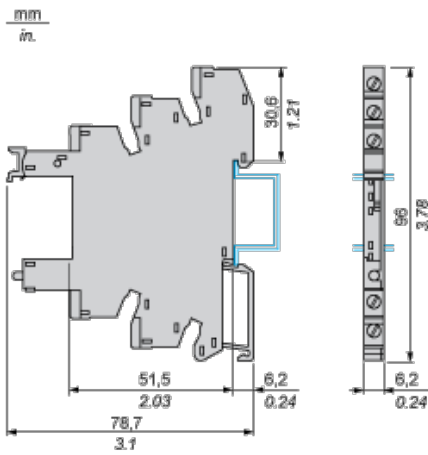
| | |
|---------------------------------------|--|
| connections - terminals | Connector, 1 x 0.2...1 x 2.5 mm ² / AWG 24...AWG 14 flexible cable with cable end Connector, 1 x 0.2...1 x 2.5 mm ² / AWG 24...AWG 14 solid cable without cable end |
| standards | IEC 61984 UL 508 |
| product certifications | CSA GOST |
| ambient air temperature for storage | -40...85 °C |
| ambient air temperature for operation | -40...70 °C |
| IP degree of protection | IP20 conforming to EN/IEC 60529 |
| dielectric strength | 2500 V |

Offer Sustainability

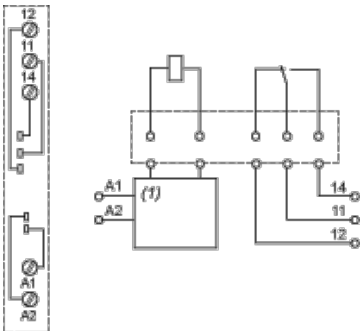
| | |
|---|---|
| Green Premium product | Green Premium product |
| Compliant - since 1417 - Schneider Electric declaration of conformity | Compliant - since 1417 - Schneider Electric declaration of conformity |
| Reference not containing SVHC above the threshold | Reference not containing SVHC above the threshold |
| Available | Available |
| Need no specific recycling operations | Need no specific recycling operations |

Informacije dane u ovoj dokumentaciji sadrže opće opise i/ili tehničke karakteristike o performansama ovdje sadržanih proizvoda. Ova dokumentacija nije namijenjena kao zamjena za niti bi se trebala koristiti za određivanje prikladnosti ili pouzdanosti predmetnih proizvoda za konkretne korisničke primjene. Svaki takav korisnik ili integrator dužan je provesti odgovarajuću i potpunu analizu rizika, procjenu i ispitivanje proizvoda u odnosu na odgovarajuću specifičnu primjenu ili uporabu istog. Niti društvo Schneider Electric Industries SAS niti bilo koje od njegovih povezanih poduzeća ili podružnica neće preuzeti obvezu ili snositi odgovornost za pogrešnu upotrebu ovdje sadržanih informacija.

Dimensions



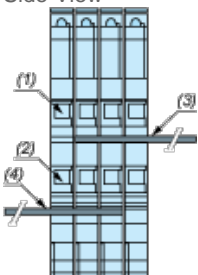
Wiring Diagram



(1) Protection circuit

Example of RSLZ2 Bus Jumper Mounting on Sockets

Side View



- (1) A1
- (2) A2
- (3) Bus jumper polarity A1
- (4) Bus jumper polarity A2