

## RPZF1

utičnica RPZ – mješoviti kontakt – 16 A – 250 V –  
vijčana stezaljka



### Glavno

Range of product	Zelio Relay
Product or component type	Socket
Contact terminal arrangement	Mixed
Product compatibility	Plug-in relay RPM (1 C/O)
Device short name	RPZ

### Komplementarno

[Ith] conventional free air thermal current	15 A
[Ue] rated operational voltage	250 V
Tightening torque	< 0.8 N.m (M3 screw(s)) < 1 N.m (M3.5 screw(s))
Fixing mode	By screw mounting on panel Clip-on mounting on 35 mm symmetrical DIN rail
Product weight	0.031 kg

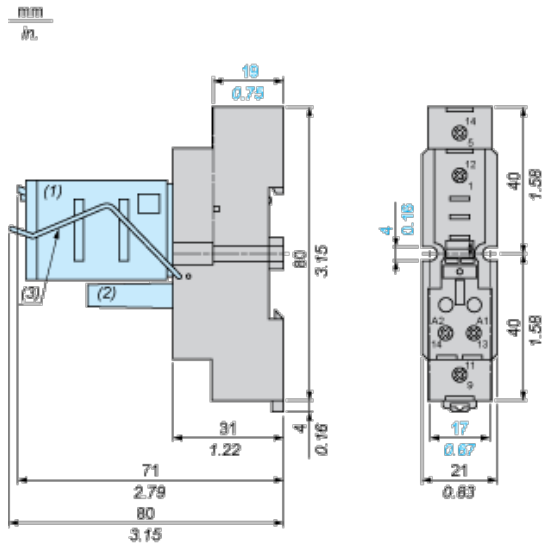
### Okolina

connections - terminals	Contact terminal - screw clamp terminals, 2 wires solid cable without cable end 0.5...4 mm <sup>2</sup> / AWG 20...AWG 12 Contact terminal - screw clamp terminals, 1 wire solid cable without cable end 0.5...4 mm <sup>2</sup> / AWG 20...AWG 12 Contact terminal - screw clamp terminals, 2 wires flexible cable with cable end 0.5...2.5 mm <sup>2</sup> / AWG 20...AWG 14 Contact terminal - screw clamp terminals, 1 wire flexible cable with cable end 0.5...2.5 mm <sup>2</sup> / AWG 20...AWG 14 Coil terminal - screw clamp terminals, 2 wires solid cable without cable end 0.5...2.5 mm <sup>2</sup> / AWG 20...AWG 14 Coil terminal - screw clamp terminals, 1 wire solid cable without cable end 0.5...2.5 mm <sup>2</sup> / AWG 20...AWG 14 Coil terminal - screw clamp terminals, 2 wires flexible cable with cable end 0.5...1.5 mm <sup>2</sup> / AWG 20...AWG 16 Coil terminal - screw clamp terminals, 1 wire flexible cable with cable end 0.5...1.5 mm <sup>2</sup> / AWG 20...AWG 16
standards	IEC 61984 UL 508 CSA C22.2 No 14
product certifications	CE CSA RoHS UL REACH EAC China RoHS
ambient air temperature for storage	-40...85 °C
ambient air temperature for operation	-40...55 °C
IP degree of protection	IP20 conforming to EN/IEC 60529
dielectric strength	2500 V

### Contractual warranty

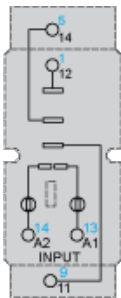
Informacije dane u ovoj dokumentaciji sadrže opće opise i/ili tehničke karakteristike o performansama ovdje sadržanih proizvoda.  
 Ova dokumentacija nije namijenjena kao zamjena za niti bi se trebala koristiti za određivanje prikladnosti ili pouzdanosti predmetnih proizvoda za konkretne korisničke primjene.  
 Svaki takav korisnik ili integrator dužan je provesti odgovarajuću i potpunu analizu rizika, procjenu i ispitivanje proizvoda u odnosu na odgovarajuću specifičnu primjenu ili uporabu istog.  
 Niti društvo Schneider Electric, Industries SAS niti bilo koje od njegovih povezanih poduzeća ili podružnica neće preuzeti obvezu ili snositi odgovornost za pogrešnu upotrebu ovdje sadržanih informacija.

## Dimensions



- (1) Relays
- (2) Protection module
- (3) Maintaining clamp

## Wiring Diagram



Symbols shown in blue correspond to Nema marking.