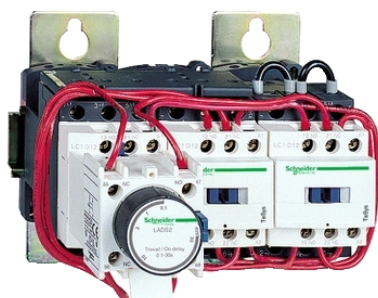


LC3D115P7

TeSys D – pokretač zvijezda-trokut – 3 x 3P (3 NO) –
115 A – Zavojnica 230 V AC



Glavno

Range	TeSys
Product name	TeSys D
Product or component type	Star delta starter
Device short name	LC3D
Contactor application	Motor control
Utilisation category	AC-3
Device presentation	Pre-wired
Poles description	3 x 3P
Pole contact composition	3 x 3 NO
[Ue] rated operational voltage	<= 690 V AC 25...400 Hz for power circuit
[Ie] rated operational current	115 A (<= 60 °C) AC AC-3for power circuitat <= 440 V
Motor power kW	110 kW at 380/400 V AC 50/60 Hz 110 kW at 415 V AC 50/60 Hz 110 kW at 440 V AC 50/60 Hz 63 kWat 220/230 V AC 50/60 Hz
Control circuit type	AC 50/60 Hz
[Uc] control circuit voltage	
Auxiliary contact composition	1 NCfor KM2 line contactor 1 NOfor KM3 delta contactor
[Uimp] rated impulse withstand voltage	8 kV conforming to IEC 60947
Overvoltage category	III
[Ui] rated insulation voltage	600 V certifications CSA power circuit 600 V certifications UL power circuit 600 V certifications CSA signalling circuit 600 V certifications UL signalling circuit 1000 V conforming to IEC 60947-4-1 power circuit 1000 V conforming to IEC 60947-1 signalling circuit
Electrical durability	0.95 Mcycles 115 A AC-3 <= 440 V
Mounting support	Plate
Standards	EN 60947-4-1 EN 60947-5-1 IEC 60947-4-1 IEC 60947-5-1 UL 508 CSA C22.2 No 14
Product certifications	BV CCC CSA DNV GL GOST LROS (Lloyds register of shipping) RINA UL

Komplementarno

Connections - terminals

Connectorfor power circuit 1 10...120 mm² flexible without cable end
Connectorfor power circuit 2 10...50 mm² flexible without cable end
Connectorfor power circuit 1 10...120 mm² flexible with cable end
Connectorfor power circuit 2 10...50 mm² flexible with cable end
Connectorfor power circuit 1 10...120 mm² solid without cable end
Connectorfor power circuit 2 10...50 mm² solid without cable end
Connectorfor control circuit 1 1...2.5 mm² flexible without cable end
Connectorfor control circuit 2 1...2.5 mm² flexible without cable end
Connectorfor control circuit 1 1...2.5 mm² flexible with cable end

	Connector for control circuit 2 1...2.5 mm ² flexible with cable end Connector for control circuit 1 1...2.5 mm ² solid without cable end Connector for control circuit 2 1...2.5 mm ² solid without cable end
Tightening torque	12 N.m for power circuit connector flat Ø 6...8 mm 1.2 N.m for control circuit connector flat Ø 6 mm 1.2 N.m for control circuit connector Philips No 2
Mechanical durability	8 Mcycles
Operating rate	30 cyc/hat ≤ 60 °C
Starting time	30 s
Coil technology	Without built-in suppressor module
Control circuit voltage limits	0.3...0.5 U _c at 55 °C drop-out 50/60 Hz 0.8...1.15 U _c at 55 °C operational 50/60 Hz
Inrush power in VA	280...350 VA at 20 °C 0.8 60 Hz 280...350 VA at 20 °C 0.8 50 Hz
Hold-in power consumption in VA	2...18 VA at 20 °C 0.3 60 Hz 2...18 VA at 20 °C 0.3 50 Hz
Heat dissipation	3...8 W at 50/60 Hz
Auxiliary contacts type	Mechanically linked conforming to IEC 60947-5-1 3 x 1 NO + 1 NC Mirror contact conforming to IEC 60947-4-1 3 x 1 NC
Signalling circuit frequency	25...400 Hz
Minimum switching current	For signalling circuit
Switching voltage	17 V for signalling circuit
Non-overlap time	1.5 ms on energisation between NC and NO contact 1.5 ms on de-energisation between NC and NO contact
Width	450 mm
Height	555 mm
Depth	205 mm
Product weight	11.8 kg

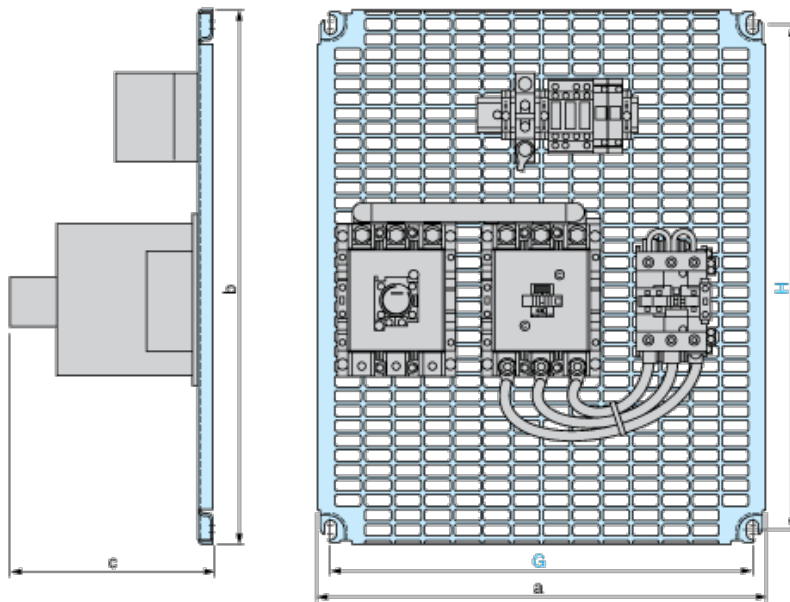
Okolina

insulation resistance	> 10 MOhm for signalling circuit
IP degree of protection	IP20 front face conforming to IEC 60529
protective treatment	TH conforming to IEC 60068-2-30
pollution degree	3
ambient air temperature for storage	-60...80 °C
ambient air temperature for operation	-40...70 °C at U _c
operating altitude	3000 m without derating in temperature
fire resistance	850 °C conforming to IEC 60695-2-1
flame retardance	V1 conforming to UL 94
mechanical robustness	Vibrations contactor open 2 Gn, 5...300 Hz Vibrations contactor closed 4 Gn, 5...300 Hz Shocks contactor closed 15 Gn for 11 ms Shocks contactor open 6 Gn for 11 ms

Contractual warranty

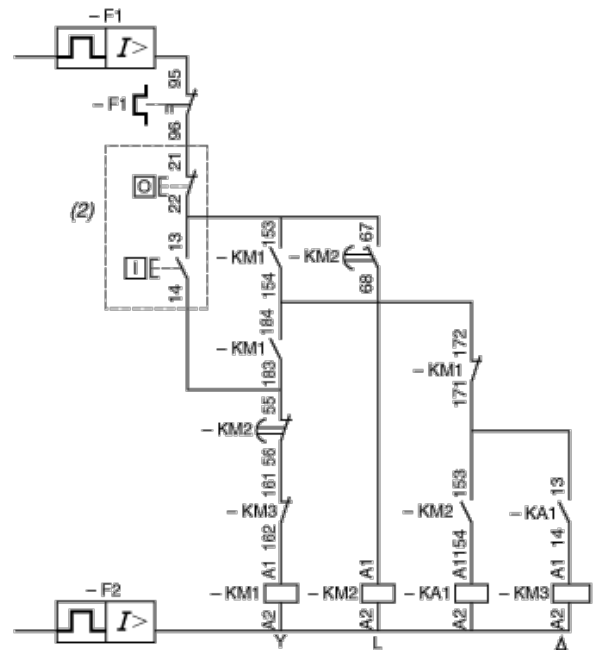
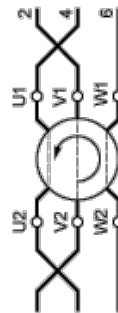
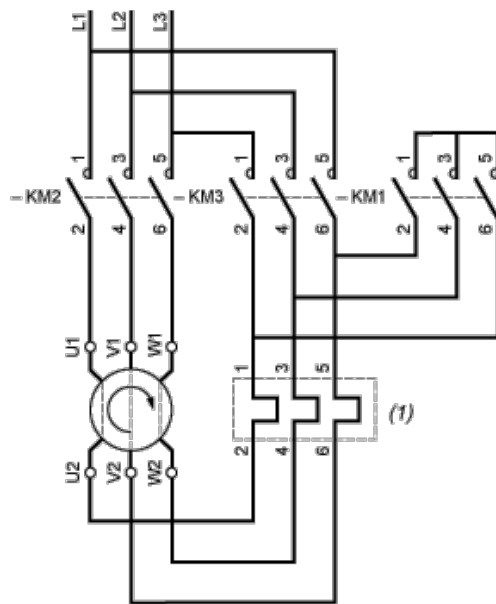
Warranty period	18 months
-----------------	-----------

Dimensions



LC3 or 3 x LC1	a	b	c	G	H
LC3 D115 or 3 x LC1 D with components	450	555	205	425	525
LC3 D150 or 3 x LC1 D with components	450	555	205	425	525

Wiring



- (1) Recommended cabling for reversal of motor rotation (standard motor, viewed from shaft end).
- (2) Remote control.