

LC2D115B7

reverzibilni sklopnik TeSys D–3P (3 NO)–AC-3–<= 440 V 115 A–Zavojnica 24 V AC



Glavno

Range	TeSys
Product name	TeSys D
Product or component type	Reversing contactor
Device short name	LC2D
Contactor application	Motor control Resistive load
Utilisation category	AC-1 AC-3
Device presentation	Preassembled with reversing power busbar
Poles description	3P
Pole contact composition	3 NO
[Ue] rated operational voltage	<= 1000 V AC 25...400 Hz for power circuit <= 300 V DC for power circuit
[Ie] rated operational current	200 A (<= 60 °C) at <= 440 V AC AC-1 for power circuit 115 A (<= 60 °C) at <= 440 V AC AC-3 for power circuit
Motor power kW	30 kW at 220...230 V AC 50/60 Hz 55 kW at 380...400 V AC 50/60 Hz 65 kW at 1000 V AC 50/60 Hz 75 kW at 500 V AC 50/60 Hz 80 kW at 660...690 V AC 50/60 Hz 59 kW at 415...440 V AC 50/60 Hz
Motor power hp	30 hp at 200/208 V AC 50/60 Hz for 3 phases motors 40 hp at 230/240 V AC 50/60 Hz for 3 phases motors 75 hp at 460/480 V AC 50/60 Hz for 3 phases motors 100 hp at 575/600 V AC 50/60 Hz for 3 phases motors
Control circuit type	AC 50/60 Hz
[Uc] control circuit voltage	24 V AC 50/60 Hz
Auxiliary contact composition	1 NO + 1 NC
[Uimp] rated impulse withstand voltage	8 kV conforming to IEC 60947
Overvoltage category	III
[Ith] conventional free air thermal current	200 A at <= 60 °C for power circuit
Irms rated making capacity	1260 A at 440 V for power circuit conforming to IEC 60947 140 A AC for signalling circuit conforming to IEC 60947-5-1 250 A DC for signalling circuit conforming to IEC 60947-5-1
Rated breaking capacity	1100 A at 440 V for power circuit conforming to IEC 60947
[Icw] rated short-time withstand current	1100 A <= 40 °C 1 s power circuit 100 A 1 s signalling circuit 120 A 500 ms signalling circuit 140 A 100 ms signalling circuit 250 A <= 40 °C 10 min power circuit 550 A <= 40 °C 1 min power circuit 950 A <= 40 °C 10 s power circuit
Associated fuse rating	200 A gG at <= 690 V coordination type 2 for power

Informacije dane u ovoj dokumentaciji sadrže opće opise i/ili tehničke karakteristike o performansama ovdje sadržanih proizvoda. Ova dokumentacija nije namijenjena kao zamjena za niti bi se trebala koristiti za određivanje prikladnosti ili pouzdanosti predmetnih proizvoda za konkretne korisničke primjene. Svaki takav korisnik ili integrator dužan je provesti odgovarajuću i potpunu analizu rizika, procjenu i ispitivanje proizvoda u odnosu na odgovarajuću specifičnu primjenu ili uporabu istog. Niti društvo Schneider Electric, Industries SAS niti bilo koje od njegovih povezanih poduzeća ili podružnica neće preuzeti obvezu ili snositi odgovornost za pogrešnu upotrebu ovdje sadržanih informacija.

	circuit 250 A gG at <= 690 V coordination type 1 for power circuit 10 A gG for signalling circuit conforming to IEC 60947-5-1
Average impedance	0.6 mOhm at 50 Hz - Ith 200 A for power circuit
[Ui] rated insulation voltage	1000 V for power circuit conforming to IEC 60947-4-1 600 V for power circuit certifications CSA 600 V for power circuit certifications UL 690 V for signalling circuit conforming to IEC 60947-1 600 V for signalling circuit certifications CSA 600 V for signalling circuit certifications UL
Electrical durability	0.95 Mcycles 115 A AC-3 <= 440 V 0.8 Mcycles 200 A AC-1 <= 440 V
Power dissipation per pole	24 W AC-1 7.9 W AC-3
Protective cover	With
Interlocking type	Electrical Mechanical
Mounting support	Plate Rail
Standards	UL 508 CSA C22.2 No 14 EN 60947-4-1 EN 60947-5-1 IEC 60947-4-1 IEC 60947-5-1
Product certifications	UL CSA CCC EAC GL BV DNV RINA
Connections - terminals	Control circuit: screw clamp terminals 2 cable(s) 1...2.5 mm ² - cable stiffness: flexible - without cable end Control circuit: screw clamp terminals 2 cable(s) 1...2.5 mm ² - cable stiffness: flexible - with cable end Control circuit: screw clamp terminals 2 cable(s) 1...2.5 mm ² - cable stiffness: solid - without cable end Control circuit: screw clamp terminals 1 cable(s) 1...2.5 mm ² - cable stiffness: flexible - with cable end Control circuit: screw clamp terminals 1 cable(s) 1...2.5 mm ² - cable stiffness: flexible - without cable end Control circuit: screw clamp terminals 1 cable(s) 1...2.5 mm ² - cable stiffness: solid - without cable end Power circuit: connector 1 cable(s) 10...120 mm ² - cable stiffness: flexible - without cable end Power circuit: connector 2 cable(s) 10...50 mm ² - cable stiffness: flexible - without cable end Power circuit: connector 1 cable(s) 10...120 mm ² - cable stiffness: flexible - with cable end Power circuit: connector 2 cable(s) 10...50 mm ² - cable stiffness: flexible - with cable end Power circuit: connector 1 cable(s) 10...120 mm ² - cable stiffness: solid - without cable end Power circuit: connector 2 cable(s) 10...50 mm ² - cable stiffness: solid - without cable end
Tightening torque	Control circuit: 1.2 N.m - on screw clamp terminals - with screwdriver flat Ø 6 mm Control circuit: 1.2 N.m - on screw clamp terminals - with screwdriver Philips No 2 Power circuit: 12 N.m - on connector hexagonal 4 mm
Operating time	6...20 ms opening

	20...50 ms closing
Safety reliability level	B10d = 1369863 cycles contactor with nominal load conforming to EN/ISO 13849-1 B10d = 20000000 cycles contactor with mechanical load conforming to EN/ISO 13849-1
Mechanical durability	8000000 cycles
Operating rate	2400 cyc/h at <= 60 °C

Komplementarno

Coil technology	Built-in bidirectional peak limiting diode suppressor
Control circuit voltage limits	0.3...0.5 U _c drop-out at 55 °C, AC 50/60 Hz 0.8...1.15 U _c operational at 55 °C, AC 50/60 Hz
Inrush power in VA	280...350 VA at 20 °C (cos φ 0.8) 60 Hz 280...350 VA at 20 °C (cos φ 0.8) 50 Hz
Hold-in power consumption in VA	2...18 VA at 20 °C (cos φ 0.3) 60 Hz 2...18 VA at 20 °C (cos φ 0.3) 50 Hz
Heat dissipation	3...8 W at 50/60 Hz
Auxiliary contacts type	Type mechanically linked (1 NO + 1 NC) conforming to IEC 60947-5-1 Type mirror contact (1 NC) conforming to IEC 60947-4-1
Signalling circuit frequency	25...400 Hz
Minimum switching current	5 mA for signalling circuit
Minimum switching voltage	17 V for signalling circuit
Non-overlap time	1.5 ms on de-energisation (between NC and NO contact) 1.5 ms on energisation (between NC and NO contact)
Insulation resistance	> 10 MΩ for signalling circuit

Okolina

IP degree of protection	IP20 front face conforming to IEC 60529
protective treatment	TH conforming to IEC 60068-2-30
pollution degree	3
ambient air temperature for operation	-5...60 °C
ambient air temperature for storage	-60...80 °C
permissible ambient air temperature around the device	-40...70 °C at U _c
operating altitude	3000 m without derating in temperature
fire resistance	850 °C conforming to IEC 60695-2-1
flame retardance	V1 conforming to UL 94
mechanical robustness	Vibrations contactor open 2 Gn, 5...300 Hz Vibrations contactor closed 4 Gn, 5...300 Hz Shocks contactor closed 15 Gn for 11 ms Shocks contactor open 6 Gn for 11 ms
height	158 mm
width	266 mm
depth	148 mm
product weight	6.35 kg

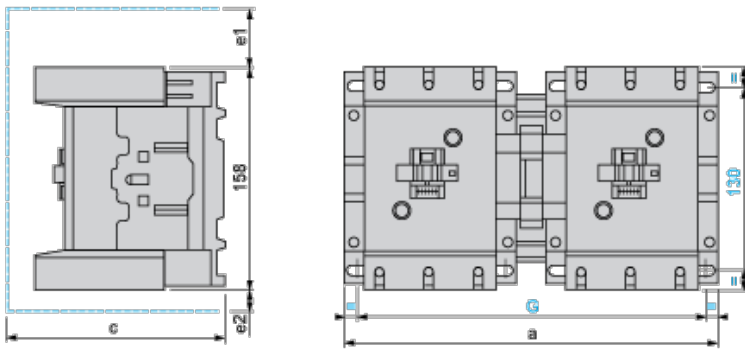
Offer Sustainability

Green Premium product	Green Premium product
Compliant - since 0927 - Schneider Electric declaration of conformity	Compliant - since 0927 - Schneider Electric declaration of conformity
Reference not containing SVHC above the threshold	Reference not containing SVHC above the threshold
Available	Available
Available	Available

Contractual warranty

Warranty period	18 months
-----------------	-----------

Dimensions



LC2 or 2 x LC1	a	c	e1	e2	G
D115 and D150	266	148	56	18	242/256

c, e1 and e2: including cabling.

Wiring

