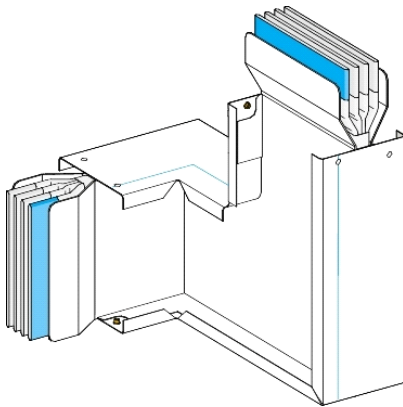


KTA0800CP74

Canalis – Aluminijska rubna i plošna N4 Zed jedinica –
0800 A – 3L+N+PER



Glavno

| | |
|--------------------------------|--|
| Range | Canalis |
| Product name | KT |
| Product or component type | Multiple elbow |
| Busbar description | Standard |
| Device short name | KTA |
| Device application | Change direction |
| Material | Aluminium |
| [Ie] rated operational current | 800 A at 35 °C |
| Busbar trunking polarity | 3L + N + PE |
| Direction change type | Direction 2: edgewise to upward Direction 1: flat to left |
| Operating angle | 90 ° |
| Earth circuit | Reinforced |
| Variant | Reinforced version |
| Provided equipment | Trunking unit Joining unit |

Komplementarno

| | |
|--|--|
| Housing material | Polyester film |
| Contacts material | Copper |
| [Ue] rated operational voltage | 1000 V |
| Network frequency | 50/60 Hz |
| [Ui] rated insulation voltage | 1000 V |
| [Icw] rated short-time withstand current | 35 kA |
| [Ipk] rated peak withstand current | 73 kA |
| Radiated magnetic field | 0.4 μT |
| Thermal stress limit | 1225 A ² .s |
| THDI | 0...15 %, maximum load current: 800 A 15...33 %, maximum load current: 1000 A 33...100 %, maximum load current: 1250 A |
| Voltage drop | With cos φ =1, 0.0083 V at 50 Hz with 1A for 100 m long With cos φ =0.9, 0.0081 V at 50 Hz with 1A for 100 m long With cos φ =0.8, 0.0076 V at 50 Hz with 1A for 100 m long With cos φ =0.7, 0.0069 V at 50 Hz with 1A for 100 m long |
| Neutral position | Left |
| Standards | IEC 61439-1 IEC 61439-6 |
| Dimension type | Made to measure |
| Width | 140 mm |
| Height | Direction 2: 195...574 mm |
| Colour | White: RAL 9001 |
| Length | Direction 1: 300 mm Direction 3: 275 mm |
| Linear load | 15 kg/m |

Okolina

| | |
|-------------------------|------------------------------|
| IP degree of protection | IP55 conforming to IEC 60529 |
|-------------------------|------------------------------|

| | |
|---------------------------------------|--|
| IK degree of protection | IK08 conforming to IEC 62262 |
| ambient air temperature for operation | 100 % of In at 0...35 °C 97 % of In at 35...40 °C 93 % of In at 40...45 °C 90 % of In at 45...50 °C 86 % of In at 50...55 °C |

Offer Sustainability

| | |
|---|---|
| Green Premium product | Green Premium product |
| Compliant - since 0949 - Schneider Electric declaration of conformity | Compliant - since 0949 - Schneider Electric declaration of conformity |
| Reference not containing SVHC above the threshold | Reference not containing SVHC above the threshold |
| Available | Available |
| Need no specific recycling operations | Need no specific recycling operations |