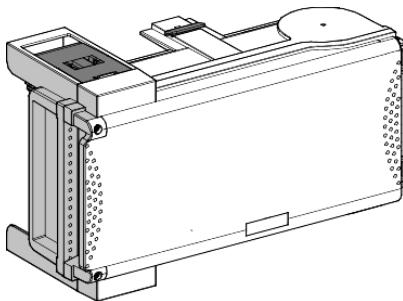


KSB50SF4

Canalis-razvodna jedinica za NF osigurač-14 x 51 mm-50 A s izolatorom-3L+N+PE



Glavno

Range of product	Canalis
Range compatibility	Canalis KT Canalis KS
Product or component type	Tap-off unit
Product compatibility	Canalis KS busbar trunking with plug-in outlets Canalis KT busbar trunking with KS type plug-in outlets
[Ie] rated operational current	50 A at 35 °C
Fuse type	Fuse isolator : for aM cylindrical fuse, size 14 x 51 mm - 50 A - conforming to NF standard Fuse isolator : for gG cylindrical fuse, size 14 x 51 mm - 50 A - conforming to NF standard
Provided equipment	Fuse to be ordered separately
Mounting mode	Plug-in with fixed polarity
Tap-off unit polarity	3L+N+PE
Colour	White RAL 9001

Komplementarno

Device application	Medium power distribution
[Ue] rated operational voltage	230...690 V depending on protective device
[Uimp] rated impulse withstand voltage	6.8 kV
[Ui] rated insulation voltage	500 V depending on protective device
Network frequency	50/60 Hz
Electrical connection	Cable clamp terminal - ISO50 - cable : 25 mm ² flexible Cable clamp terminal - ISO50 - cable : 25 mm ² rigid
Door opening side	Right
Tap-off unit disconnection mode	By opening the door
Standards	IEC 61439-1 IEC 61439-6
Width	356 mm
Depth	103 mm
Door opening size	432.5 mm
Height	202 mm
Product weight	2.4 kg

Okolina

earthing system	TT IT TN-S
IP degree of protection	IP55 conforming to IEC 60529
IK degree of protection	IK08 conforming to IEC 62262

Offer Sustainability

Green Premium product	Green Premium product
Compliant - since 1012 - Schneider Electric declaration of conformity	Compliant - since 1012 - Schneider Electric declaration of conformity
Reference not containing SVHC above the threshold	Reference not containing SVHC above the threshold

Available

Available

Need no specific recycling operations

Need no specific recycling operations

Contractual warranty

Warranty period

18 months

