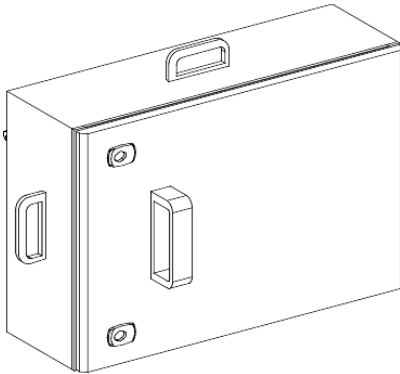


## KSB250SE4

Canalis-razvodna jedinica za DIN osigurač-T1-250 A s izolatorom-3L + N + PE



### Glavno

Range of product	Canalis
Range compatibility	Canalis KT Canalis KS
Product or component type	Tap-off unit
Product compatibility	Canalis KS busbar trunking with plug-in outlets Canalis KT busbar trunking with KS type plug-in outlets
[Ie] rated operational current	250 A at 35 °C
Fuse type	Fuse isolator : for aM blade type fuse, size 1 - 250 A - conforming to NF standard Fuse isolator : for gG blade type fuse, size 1 - 250 A - conforming to NF standard
Provided equipment	Fuse to be ordered separately
Mounting mode	Plug-in with fixed polarity
Tap-off unit polarity	3L+N+PE
Colour	White RAL 9001

### Komplementarno

Device application	Medium power distribution
[Ue] rated operational voltage	230...690 V depending on protective device
[Uimp] rated impulse withstand voltage	6.8 kV
[Ui] rated insulation voltage	690 V depending on protective device
Network frequency	50/60 Hz
Electrical connection	Copper cable lug - ISO40 - cable : 150 mm <sup>2</sup> flexible Copper cable lug - ISO40 - cable : 150 mm <sup>2</sup> rigid
Door opening side	Right
Tap-off unit disconnection mode	By opening the door
Standards	IEC 61439-1 IEC 61439-6
Width	630 mm
Depth	258 mm
Door opening size	777 mm
Height	432 mm
Product weight	20 kg

### Okolina

earthing system	TT IT TN-S
IP degree of protection	IP55 conforming to IEC 60529
IK degree of protection	IK08 conforming to IEC 62262

### Offer Sustainability

Green Premium product	Green Premium product
Compliant - since 1751 - Schneider Electric declaration of conformity	Compliant - since 1751 - Schneider Electric declaration of conformity
Reference not containing SVHC above the threshold	Reference not containing SVHC above the threshold

Informacije dane u ovoj dokumentaciji sadrže opće opise i/ili tehničke karakteristike o performansama ovdje sadržanih proizvoda. Ova dokumentacija nije namijenjena kao zamjena za niti bi se trebala koristiti za određivanje prikladnosti ili pouzdanosti predmetnih proizvoda za konkretne korisničke primjene. Svaki takav korisnik ili integrator dužan je provesti odgovarajuću i potpunu analizu rizika, procjenu i ispitivanje proizvoda u odnosu na odgovarajuću specifičnu primjenu ili uporabu istog. Niti društvo Schneider Electric Industries SAS niti bilo koje od njegovih povezanih poduzeća ili podružnica neće preuzeti obvezu ili snositi odgovornost za pogrešnu upotrebu ovdje sadržanih informacija.

Available

Available

Need no specific recycling operations

Need no specific recycling operations

### Contractual warranty

Warranty period

18 months

