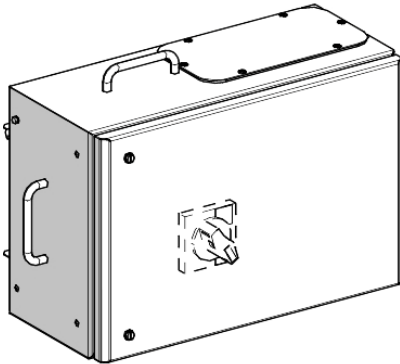


## KSB160DC4

Canalis – razvodna jedinica – 160 A za Compact NSX  
– 3L+N+PE



### Glavno

Range of product	Canalis
Range compatibility	Canalis KT Canalis KS
Offer type	Standard
Product or component type	Tap-off unit
Product compatibility	Canalis KS busbar trunking with plug-in outlets Canalis KT busbar trunking with KS type plug-in outlets
[Ie] rated operational current	160 A at 35 °C
Protection type	Circuit breaker : NSX100...160
Provided equipment	Circuit breaker to be ordered separately
Mounting mode	Plug-in with fixed polarity
Tap-off unit polarity	3L+N+PE
Colour	White RAL 9001

### Komplementarno

Device application	Medium power distribution
[Ue] rated operational voltage	230...690 V depending on protective device
[Uimp] rated impulse withstand voltage	6.8 kV
[Ui] rated insulation voltage	400 V depending on protective device 500 V depending on protective device 690 V depending on protective device
Network frequency	50/60 Hz
Control type	Rotary handle
Electrical connection	Crimp lug - ISO32 - cable : 70 mm <sup>2</sup> flexible Crimp lug - ISO32 - cable : 70 mm <sup>2</sup> rigid
Door opening side	Right
Tap-off unit disconnection mode	By rotary operating handle
Number of openings	1 opening for FL21 gland plate
Standards	IEC 61439-1 IEC 61439-6
Width	482 mm
Depth	246 mm
Door opening size	625.5 mm
Height	342 mm
Product weight	9 kg

### Okolina

earthing system	TT IT TN-S
IP degree of protection	IP55 conforming to IEC 60529
IK degree of protection	IK08 conforming to IEC 62262

### Offer Sustainability

Green Premium product	Green Premium product
-----------------------	-----------------------

Informacije dane u ovoj dokumentaciji sadrže opće opise i/ili tehničke karakteristike o performansama ovdje sadržanih proizvoda.  
Ova dokumentacija nije namijenjena kao zamjena za niti bi se trebala koristiti za određivanje prikladnosti ili pouzdanosti predmetnih proizvoda za konkretne korisničke primjene.  
Svaki takav korisnik ili integrator dužan je provesti odgovarajuću i potpunu analizu rizika, procjenu i ispitivanje proizvoda u odnosu na odgovarajuću specifičnu primjenu ili uporabu istog.  
Niti društvo Schneider Electric, Industries SAS niti bilo koje od njegovih povezanih poduzeća ili podružnica neće preuzeti obvezu ili snositi odgovornost za pogrešnu upotrebu ovdje sadržanih informacija.

Compliant - since 1751 - Schneider Electric declaration of conformity    Compliant - since 1751 - Schneider Electric declaration of conformity

Reference not containing SVHC above the threshold    Reference not containing SVHC above the threshold

Available    Available

Need no specific recycling operations    Need no specific recycling operations

### Contractual warranty

Warranty period    18 months

