



Glavno

Range of product	Magelis HMIZ
Product or component type	Illuminated USB switch
Product compatibility	XBTGK XBTGT2... XBTGT4... XBTGT5... XBTGT6... XBTGT7... HMISTO HMISTU HMIGTO Magelis Panel PC Magelis Box PC XBTGC HMIGTW HMIGXO HMISCU
Device application	Food and beverage Industrial machines
Provided equipment	1 user manual 1 USB type B cable clamp 1 tightening wrench 1 anti-rotation tee 1 fixing nut 1 gasket 1 insert label 1 USB cable type A/B of 1 m

Komplementarno

Software designation	Vijeo Designer version >= V6.1 SP2
Connector type	USB type B
Control type	5 push-buttons with multi-colour backlit LED
Colour of cover	Front dark grey cover
[Us] rated supply voltage	5 V DC, connector type: USB 2.0
Supply voltage limits	4.75...5.25 V DC
Power consumption in W	2 W
Shock resistance	147 m/s ² (3 chocks in each direction X, Y and Z) conforming to IEC 61131-2
Electromagnetic compatibility	Electrostatic discharge immunity test - test level 8 kV (air discharge) conforming to IEC 61000-4-2 Electrical fast transient/burst immunity test - test level 2 kV (power ports) conforming to IEC 61000-4-4 Electrical fast transient/burst immunity test - test level 1 kV (signal ports) conforming to IEC 61000-4-4 Electrostatic discharge immunity test - test level 6 kV (contact discharge) conforming to IEC 61000-4-2
Mounting location	Flat surface
Quantity per set	1 piece
Height	54 mm
Width	122 mm
Depth	28 mm
Product weight	0.11 kg

Okolina

ambient air temperature for storage	-20...60 °C
relative humidity	10...90 % at 0...55 °C (non-condensing)
pollution degree	2

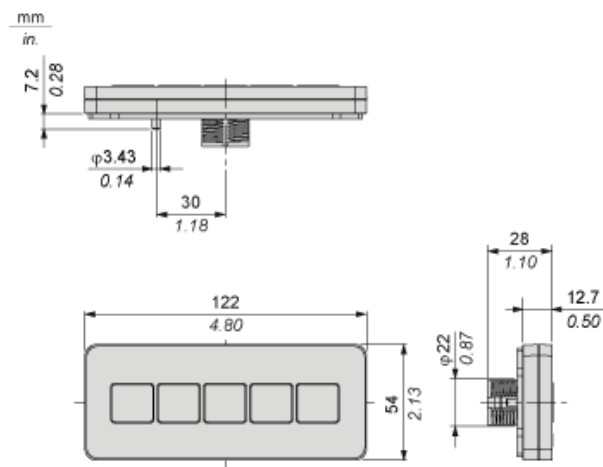
Informacije dane u ovoj dokumentaciji sadrže opće i/ili tehničke karakteristike o performansama ovdje sadržanih proizvoda. Ova dokumentacija nije namijenjena kao zamjena za niti bi se trebala koristiti za određivanje prikladnosti ili pouzdanosti predmetnih proizvoda za konkretne korisničke primjene. Svaki takav korisnik ili integrator dužan je provesti odgovarajuću i potpunu analizu rizika, procjenu i ispitivanje proizvoda u odnosu na odgovarajuću specifičnu primjenu ili uporabu istog. Niti društvo Schneider Electric, Industries SAS niti bilo koje od njegovih povezanih poduzeća ili podružnica neće preuzeti obvezu ili snositi odgovornost za pogrešnu upotrebu ovdje sadržanih informacija.

environmental characteristic	Corrosive gas free
operating altitude	<= 2000 m
vibration resistance	3.5 mm (f=5...9 Hz) conforming to IEC 61131-2
IP degree of protection	IP65 front panel (in enclosure)
NEMA degree of protection	NEMA 13for enclosed outdoor NEMA 4Xfor indoor installation
standards	CSA C22.2 No 142 EN 61000-6-2 EN 61000-6-4 ROHS directive 2002/95/EC UL 508 EMC 2004/108/EC WEEE directive 2002/96/EC CSA C22.2 No 213 RoHS China SJ/T 11363-2006 ANSI/ISA 12.12.01
product certifications	CE C-Tick GOST UL/cUL listed
level or class	Class I Division 2 Groups A/B/C/D

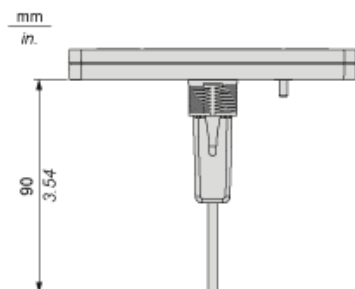
Offer Sustainability

Not Green Premium product	Not Green Premium product
Compliant - since 1535 - Schneider Electric declaration of conformity	Compliant - since 1535 - Schneider Electric declaration of conformity

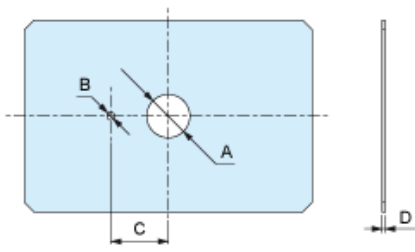
Dimensions



Dimensions with Cable



Mounting of Panel Cut-Out



Dimensions in mm

A	B	C	D
22.50 _{-0.30}	4 _{-0.20}	30 _{-0.20}	1.5...6

Dimensions in in.

A	B	C	D
0.88 _{-0.01}	0.15 _{-0.007}	1.18 _{-0.007}	0.06...0.23