



Glavno

| | |
|---------------------------|--------------------|
| Range of product | Magelis STO & STU |
| Product or component type | Touch panel screen |
| Software designation | Vijeo Designer |
| Operating system | Magelis |
| Processor name | CPU ARM9 |

Komplementarno

| | |
|----------------------------|--|
| Display size | 3.5 inch |
| Display type | QVGA TFT colour touchscreen |
| Display colour | 65536 colours |
| Display resolution | 320 x 240 pixels QVGA |
| Touch panel | Analogue |
| Backlight lifespan | 50000 hours |
| Brightness | 16 levels |
| Character font | ASCII Chinese (simplified Chinese) Japanese (ANK, Kanji) Korean Taiwanese (traditional Chinese) |
| [Us] rated supply voltage | 24 V DC |
| Supply | External source |
| Supply voltage limits | 20.4...28.8 V |
| Inrush current | <= 30 A |
| Power consumption in W | 6.5 W |
| Number of pages | Limited by internal memory capacity |
| Processor frequency | 333 MHz |
| Memory description | Application memory, 16 MB Back up of data, 64 kB |
| Integrated connection type | 1 USB 2.0 type mini B 1 USB 2.0 type A Removable screw terminal block connector power supply Female RJ45 connector COM1 serial link with RS232C/RS485 interface at <= 115.2 kbits/s |
| Realtime clock | Access to the PLC real-time clock |
| Downloadable protocols | Modbus Modbus TCP/IP Third party protocols Uni-TE |
| Fixing mode | Ø 22 mm hole |
| Enclosure material | PC/PBT |
| Marking | CE With Schneider logo |
| Height | 98.15 mm |
| Width | 118 mm |
| Depth | 55.3 mm |

Okolina

Informacije dane u ovoj dokumentaciji sadrže opće opise i/ili tehničke karakteristike o performansama ovdje sadržanih proizvoda.
Ova dokumentacija nije namijenjena kao zamjena za niti bi se trebala koristiti za određivanje prikladnosti ili pouzdanosti predmetnih proizvoda za konkretne korisničke primjene.
Svaki takav korisnik ili integrator dužan je provesti odgovarajuću i popunnu analizu rizika, procjenu i ispitivanje proizvoda u odnosu na odgovarajuću specifičnu primjenu ili uporabu istog.
Niti društvo Schneider Electric Industries SAS niti bilo koje od njegovih povezanih poduzeća ili podružnica neće preuzeti obvezu ili snositi odgovornost za pogrešnu upotrebu ovdje sadržanih informacija.

| | |
|---------------------------------------|--|
| immunity to microbreaks | <= 10 ms |
| standards | EN 61131-2 FCC Class A IEC 61000-6-2 UL 1604 UL 508 |
| product certifications | C-Tick CULus UL class 1 Div2 T4A ou T5 Marine |
| ambient air temperature for operation | 0...50 °C |
| ambient air temperature for storage | -20...60 °C |
| relative humidity | 0...85 % without condensation |
| operating altitude | <= 2000 m |
| IP degree of protection | IP20 (rear panel) conforming to IEC 60529 IP65 (front panel) conforming to IEC 60529 |
| NEMA degree of protection | NEMA 4X front panel (indoor use) |
| shock resistance | 15 gn for 11 ms conforming to IEC 60068-2-27 |
| vibration resistance | +/- 3.5 mm (f = 5...9 Hz) conforming to IEC 60068-2-6 1 gn (f = 9...150 Hz) conforming to IEC 60068-2-6 |
| resistance to electromagnetic fields | 10 V/m conforming to IEC 61000-4-3 |

Offer Sustainability

| | |
|---|---|
| Not Green Premium product | Not Green Premium product |
| Compliant - since 1001 - Schneider Electric declaration of conformity | Compliant - since 1001 - Schneider Electric declaration of conformity |
| Reference not containing SVHC above the threshold | Reference not containing SVHC above the threshold |

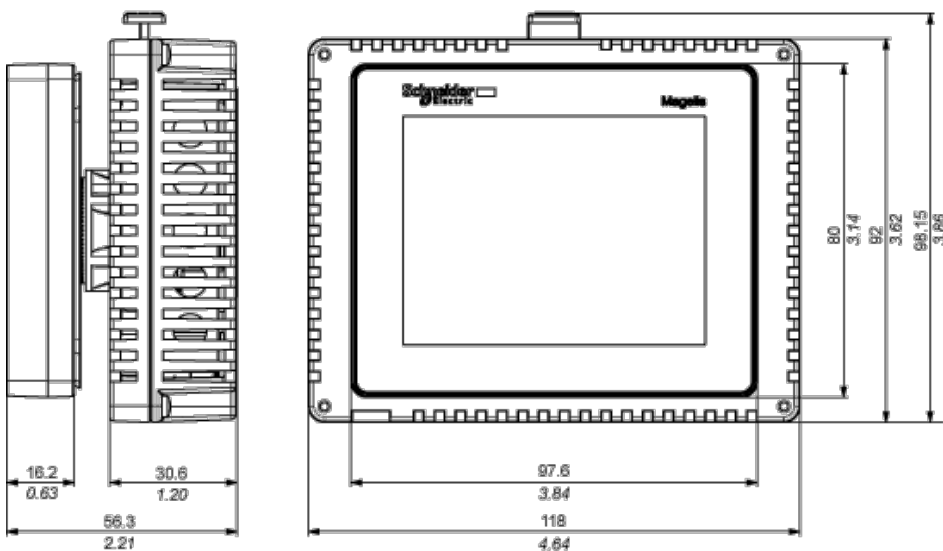
Contractual warranty

| | |
|-----------------|-----------|
| Warranty period | 18 months |
|-----------------|-----------|

Display and Rear Modules

Dimensions

mm
in.



(2)

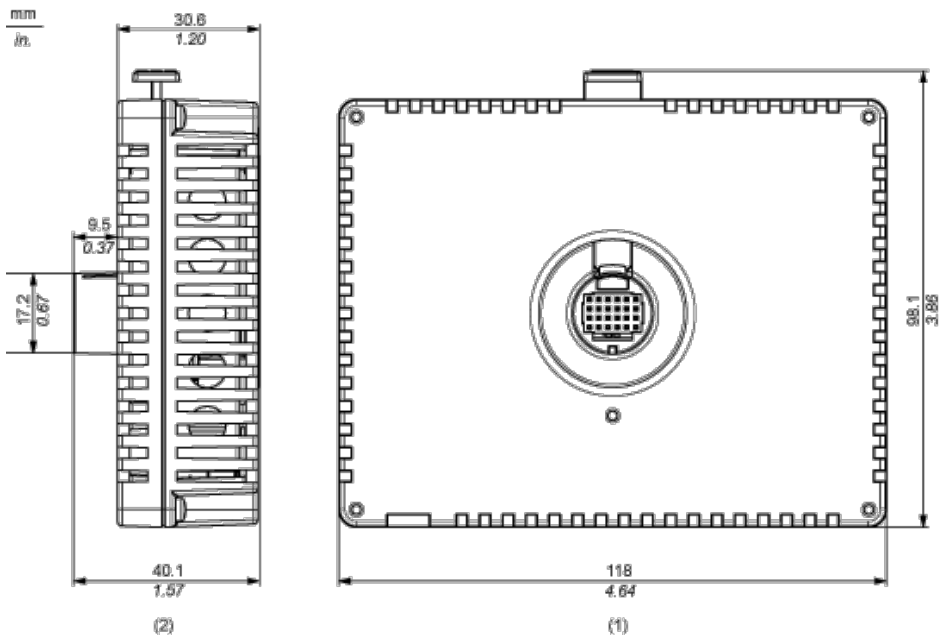
(1)

(1) Right Side

(2) Front

Rear Module

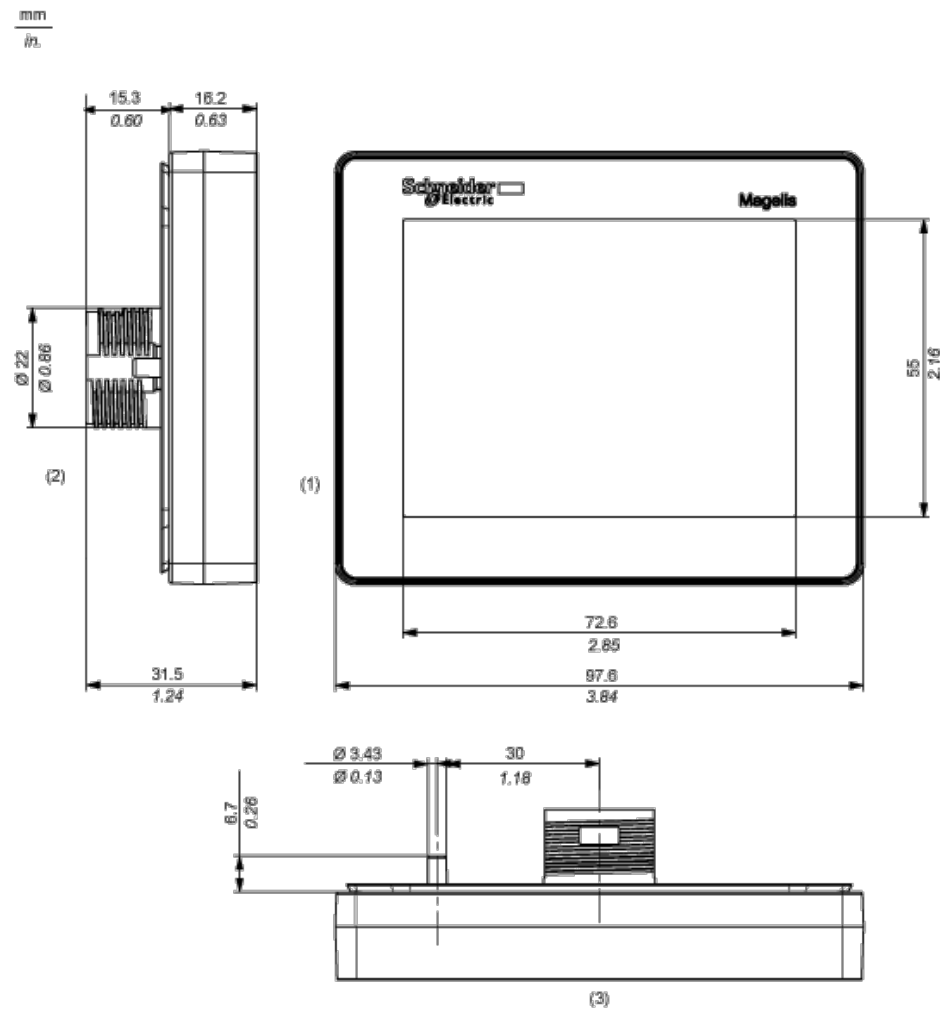
Dimensions



- (1) Front
- (2) Right Side

Display Module

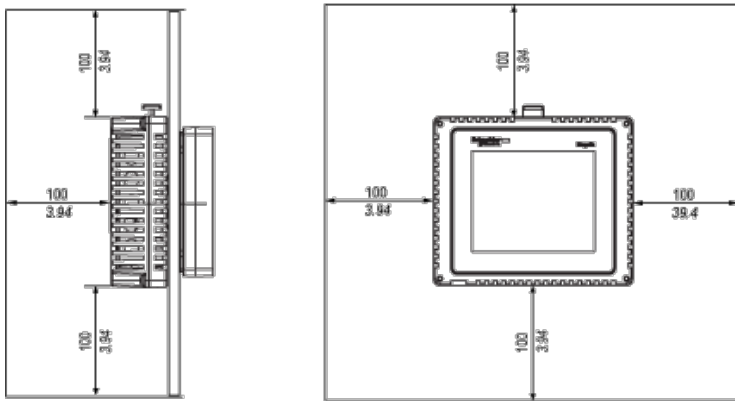
Dimensions



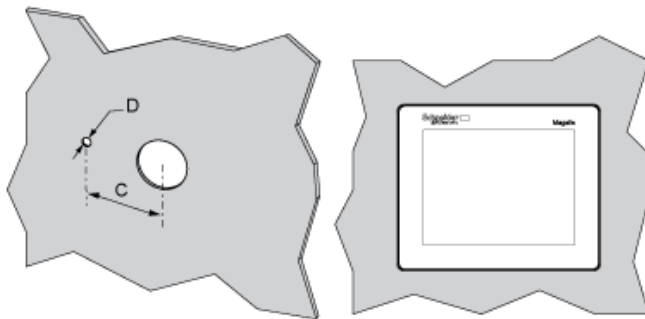
- (1) Front
- (2) Right Side
- (2) Top

Clearance

mm
in.



Panel Cut-out Dimensions



| C (mm) | C (in.) | D (mm) | D (in.) |
|--------|---------|--------|---------|
| +0 | +0 | +0 | +0 |
| 30.00 | 1.18 | 4.00 | 0.15 |
| -0.20 | -0.007 | -0.20 | -0.007 |

NOTE: With the tee option, the rotating torque that can be supported by the display module is 6 Nm (53.10 in-lb).