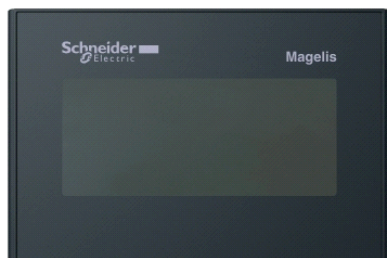


## HMISTO512

zaslon s panelom osjetljivim na dodir od 3"4,  
monokromatski W/P/R



### Glavno

Range of product	Magelis STO & STU
Product or component type	Touch panel screen
Software designation	Vijeo Designer
Operating system	Magelis
Processor name	CPU RISC

### Komplementarno

Display size	3.4 inch
Display type	Backlit monochrome STN LCD
Background colour	White, pink and red
Display resolution	200 x 80 pixels
Touch panel	Analogue
Backlight lifespan	10000 hours with red 50000 hours with pink 50000 hours with white
Brightness	8 levels
Contrast	16 levels via touch panel
Character font	ASCII Chinese (simplified Chinese) Japanese (ANK, Kanji) Korean Taiwanese (traditional Chinese)
[Us] rated supply voltage	24 V DC +/- 20 %
Inrush current	30 A
Local signalling	1 LED with green for normal operation
Power consumption in W	5 W
Number of pages	Limited by internal memory capacity
Processor frequency	333 MHz
Memory description	Application memory, 16 MB Back up of data, 128 kB
Integrated connection type	1 USB 2.0 type mini B 1 USB 2.0 type A Removable screw terminal block connector power supply Female RJ45 connector COM1 serial link with RS232C/RS485 interface at <= 115.2 kbits/s
Supply	External source
Realtime clock	Access to the PLC real-time clock
Downloadable protocols	Modbus Third party protocols Uni-TE
Fixing mode	By 2 spring clips on 1.6...5 mm thick panel
Enclosure material	PPT
Marking	CE
Height	77.5 mm
Width	116.5 mm
Depth	36.5 mm

Informacije dane u ovoj dokumentaciji sadrže opće opise i/ili tehničke karakteristike o performansama ovdje sadržanih proizvoda.  
 Ova dokumentacija nije namijenjena kao zamjena za niti bi se trebala koristiti za određivanje prikladnosti ili pouzdanosti predmetnih proizvoda za konkretne korisničke primjene.  
 Svaki takav korisnik ili integrator dužan je provesti odgovarajuću i potpunu analizu rizika, procjenu i ispitivanje proizvoda u odnosu na odgovarajuću specifičnu primjenu ili uporabu istog.  
 Niti društvo Schneider Electric Industries SAS niti bilo koje od njegovih povezanih poduzeća ili podružnica neće preuzeti obvezu ili snositi odgovornost za pogrešnu upotrebu ovdje sadržanih informacija.

## Okolina

immunity to microbreaks	3 ms
standards	EN 61131-2 FCC Class A IEC 61000-6-2 UL 1604 UL 508
product certifications	CE C-Tick CULus GOST UL Class 1 Division 2 T4A UL Class 1 Division 2 T5 KCC
ambient air temperature for operation	0...50 °C
ambient air temperature for storage	-20...60 °C
relative humidity	0...90 % without condensation
operating altitude	<= 2000 m
IP degree of protection	IP20 (rear panel) conforming to IEC 60529 IP65 (front panel) conforming to IEC 60529
NEMA degree of protection	NEMA 4X front panel (indoor use)
shock resistance	15 gn for 11 ms conforming to IEC 60068-2-27
vibration resistance	+/- 3.5 mm (f = 5...9 Hz) conforming to IEC 60068-2-6 1 gn (f = 9...150 Hz) conforming to IEC 60068-2-6
electromagnetic compatibility	Resistance to radiated electromagnetic fields : 10 V/m conforming to IEC 61000-4-3

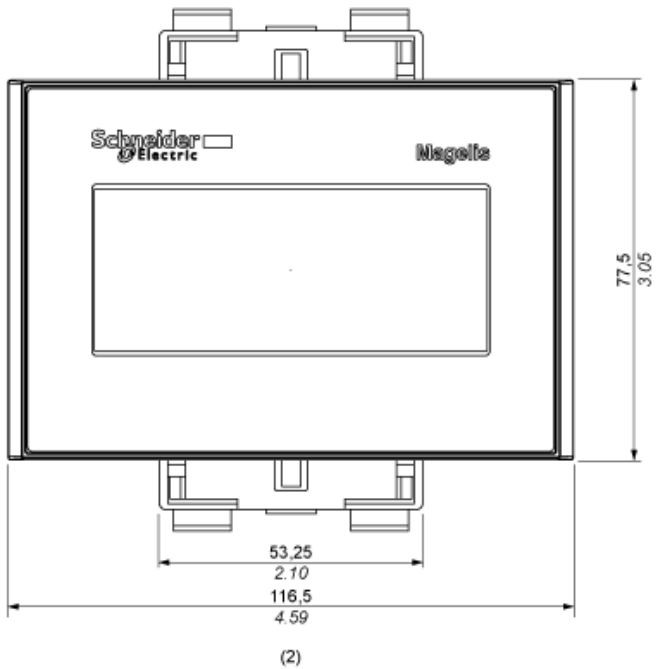
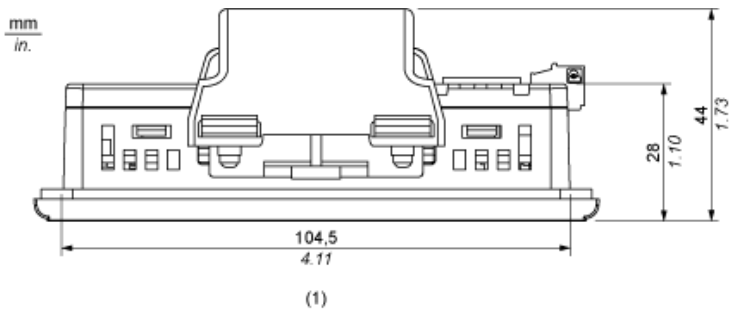
## Offer Sustainability

Not Green Premium product	Not Green Premium product
Compliant - since 1010 - Schneider Electric declaration of conformity	Compliant - since 1010 - Schneider Electric declaration of conformity
Reference not containing SVHC above the threshold	Reference not containing SVHC above the threshold

## Contractual warranty

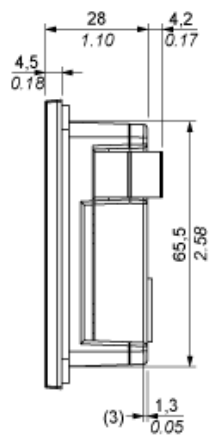
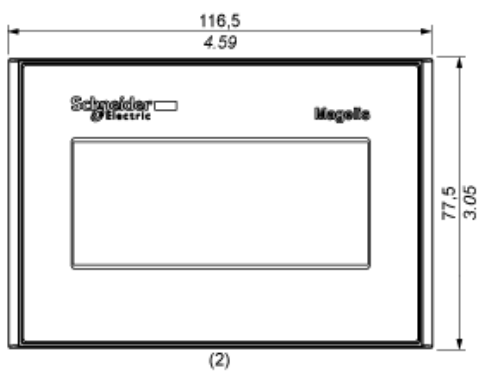
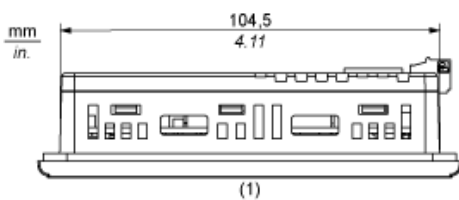
Warranty period	18 months
-----------------	-----------

## Dimensions with Spring Clips



- (1) Top
- (2) Front

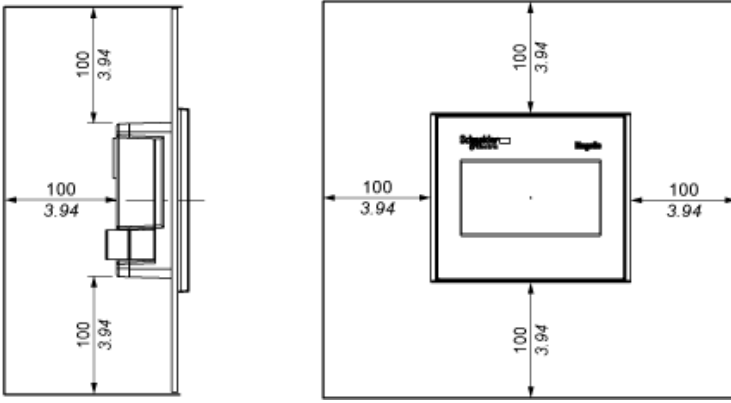
### Dimensions without Spring Clips



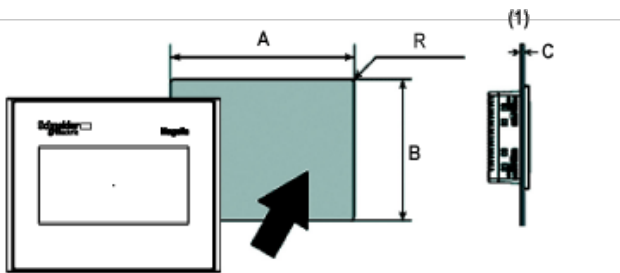
- (1) Top
- (2) Front
- (3) Right Side

## Clearance

mm  
in.



## Panel Cut-out Dimensions



(1) Panel

A (mm)	A (in.)	B (mm)	B (in.)	C (mm) Spring Clips	C (in.) Spring Clips	R (mm)	R (in.)
+1	+0.04	+1	+0.04	1.5 to 6.0	0.059 to 0.236	2.0 to 3.0	0.078 to 0.118
105	4.13	66	2.59				
-0	-0	-0	-0				