



Glavno

Range of product	Magelis SCU
Product or component type	Small touch HMI controller
Display size	3.5 inch
Display type	With backlit LED colour TFT LCD
Touch panel	Analogue
Device presentation	Complete product

Komplementarno

Display resolution	320 x 240 pixels QVGA
Backlight lifespan	50000 hours with 65000 colours
Brightness	16 levels via touch panel
View angle horiz x vert	60° left 60° right 40° top 60° bottom
Character font	ASCII Chinese (simplified Chinese) Japanese (ANK, Kanji) Korean Taiwanese (traditional Chinese)
Supply	External source
[Us] rated supply voltage	24 V at 20.4...28.8 V DC
Immunity to microbreaks	<= 10 ms
Inrush current	<= 30 A
Power consumption in W	15 W
Local signalling	No indicator
Number of pages	Limited by internal memory capacity
Software designation	SoMachine
Operating system	Magelis
Processor name	CPU RISC
Processor frequency	333 MHz
Memory description	128 MB flash memory, type: NAND 128 kB internal data storage memory, type: FRAM 128 MB application run memory, type: DRAM
Integrated connection type	1 RJ45 connector serial link with RS232/RS485 interface at <= 115.2 kbits/s 1 RJ45 connector Ethernet TCP/IP 1 USB 2.0 type mini B 1 USB 2.0 type A SUB-D 9 connector CANopen master bus
Realtime clock	Built-in
Downloadable protocols	Modbus Modbus TCP/IP CANopen
Fixing mode	By 1 nut - diameter: Ø 22 mm, mounting on: 1...6 mm thick panel
Enclosure material	PC/PBT
Shock resistance	147 m/s ² (duration=11 ms) conforming to IEC 60068-2-27 on DIN rail 294 m/s ² (duration=6 ms) conforming to IEC 60068-2-27 on panel mounting
Vibration resistance	+/- 3.5 mm (f=5...9 Hz) conforming to IEC 60068-2-6

Informacije dane u ovoj dokumentaciji sadrže opće opise i/ili tehničke karakteristike o performansama ovdje sadržanih proizvoda. Ova dokumentacija nije namijenjena kao zamjena za niti bi se trebala koristiti za određivanje prikladnosti ili pouzdanosti predmetnih proizvoda za konkretne korisničke primjene. Svaki takav korisnik ili integrator dužan je provesti odgovarajuću i potpunu analizu rizika, procjenu i ispitivanje proizvoda u odnosu na odgovarajuću specifičnu primjenu ili uporabu istog. Niti društvo Schneider Electric Industries SAS niti bilo koje od njegovih povezanih poduzeća ili podružnica neće preuzeti obvezu ili snositi odgovornost za pogrešnu upotrebu ovdje sadržanih informacija.

Electromagnetic compatibility	<p>Electrostatic discharge immunity test - test level: 8 kV, air discharge conforming to IEC 61000-4-2</p> <p>Electrostatic discharge immunity test - test level: 6 kV, contact discharge conforming to IEC 61000-4-2</p> <p>Susceptibility to electromagnetic fields - test level: 10 V/m, 80 MHz...3 GHz conforming to IEC 61000-4-3</p> <p>Electrical fast transient/burst immunity test - test level: 2 kV, power lines conforming to IEC 61000-4-4</p> <p>Electrical fast transient/burst immunity test - test level: 1 kV, between analogue I/O and operating voltage conforming to IEC 61000-4-4</p> <p>Electrical fast transient/burst immunity test - test level: 2 kV, relay wires conforming to IEC 61000-4-4</p> <p>Electrical fast transient/burst immunity test - test level: 1 kV, Ethernet line conforming to IEC 61000-4-4</p> <p>Electrical fast transient/burst immunity test - test level: 1 kV, COM line conforming to IEC 61000-4-4</p> <p>Electrical fast transient/burst immunity test - test level: 1 kV, CAN line conforming to IEC 61000-4-4</p> <p>Surge immunity test - test level: 2 kV, power supply (common mode) conforming to IEC 61000-4-5</p> <p>Surge immunity test - test level: 1 kV, power supply (differential mode) conforming to IEC 61000-4-5</p> <p>Surge immunity test - test level: 1 kV common mode, digital I/O conforming to IEC 61000-4-5</p> <p>Surge immunity test - test level: 0.5 kV differential mode, digital I/O conforming to IEC 61000-4-5</p> <p>Conducted RF disturbances - test level: 10 V, 0.15...80 MHz conforming to IEC 61000-4-6</p> <p>Conducted emission - test level: 150 kHz...30 MHz conforming to EN 55011</p> <p>Radiated emission - test level: 30 MHz...1 GHz conforming to EN 55011</p>
Discrete input number	<p>2for fast input (normal mode) conforming to IEC 61131-2 Type 1</p> <p>14for digital input conforming to IEC 61131-2 Type 1</p>
Discrete input voltage	24 V DC discrete input logic:sink or source (positive/negative)
Number of common point	<p>1for fast input (HSC mode)</p> <p>2for digital input</p>
Discrete input current	<p>7.83 mAfor fast input</p> <p>5 mAfor digital</p>
Input impedance	<p>4.7 kOhm</p> <p>2.81 kOhm</p>
Sensor power supply	<p>15...28.8 V DC, voltage (state 1): ≥ 15 V, current (state 1): ≥ 5 mA, voltage (state 0): ≤ 5 V, current (state 0): ≤ 1.5 mA</p> <p>15...28.8 V DC, voltage (state 1): ≥ 15 V, current (state 1): ≥ 2.5 mA, voltage (state 0): ≤ 5 V, current (state 0): ≤ 1 mA</p>
Configurable filtering time	<p>0 ms no filter (none)</p> <p>0.004...0.04 ms bounce filter (latch/event and cumulative filter by step $N \times 0.5$ms ($64 \geq N \geq 2$))</p> <p>3...12 ms integrator (none/run/stop)</p>
Input frequency	<p>100 kHzfor fast input (encoder mode) - control type A/B</p> <p>100 kHzfor fast input - control type single phase</p> <p>100 kHzfor fast input - control type pulse/direction</p>
Cable distance between devices	<p>Shielded cable: 10 mfor fast input</p> <p>Shielded cable: 100 m for digital input</p> <p>Unshielded cable: 50 m for digital input</p>
Connection pitch	3.5 mm
Overvoltage protection	With
Isolation between channels and internal logic	500 V DC
Isolation between channels	None
Discrete output number	<p>2 fast output (normal mode), output logic: source</p> <p>8 digital output, output logic: source</p>
Discrete output voltage	<p>24 V DC (voltage limit: 19.2...28.8 V) with transistor discrete output(s)</p> <p>24 V DC (voltage limit: 5...30 V) with relay discrete output(s)</p> <p>220 V AC (voltage limit: 100...250 V) with relay discrete output(s)</p>
Input/output number	<p>2for fast input, terminal(s): F10...F11</p> <p>14for digital input, terminal(s): DI0...DI13</p> <p>2for fast output, terminal(s): FQ0...FQ1</p> <p>8for digital output, terminal(s): DQ0...DQ7</p>
Discrete output current	<p>300 mA, response time 2 msfor fast output (normal mode)</p> <p>50 mA, response time 2 msfor fast output (PWM or PTO mode)</p> <p>2 A (current per output common:4 A), response time 5 ms with opening contactfor digital output</p> <p>2 A (current per output common:4 A), response time 2 ms with closing contactfor</p>

	digital output
Insulation resistance	> 10 MOhm between the I/O and internal logic > 10 MOhm between power supply and earth
Output frequency	<= 100 kHz for fast output (PTO mode) <= 1 kHz for fast output (PWM mode)
Absolute accuracy error	+/- 0.1 % of full scale of cyclic ratio 1...99% for fast output (PWM or PTO mode) 1 % of full scale of cyclic ratio 1...99% for fast output (PWM or PTO mode) +/- 5 % of full scale of cyclic ratio 10...90% for fast output (PWM or PTO mode) +/- 10 % of full scale of cyclic ratio 20...80% for fast output (PWM or PTO mode) +/- 15 % of full scale of cyclic ratio 30...70% for fast output (PWM or PTO mode)
Height	74.95 mm
Width	128 mm
Depth	102 mm
Product weight	0.512 kg

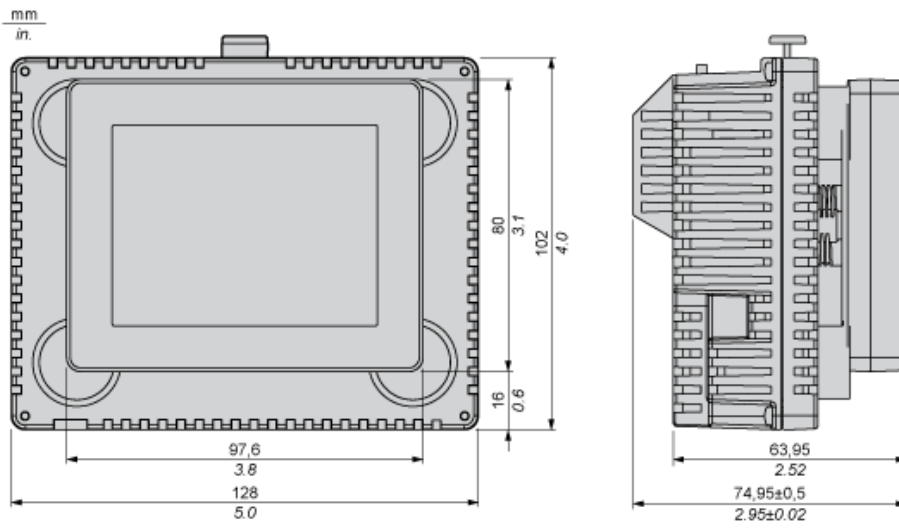
Okolina

standards	EN 61131-2 FCC Class A IEC 61000-6-2 RoHS compliant UL 508 ANSI/ISA 12-12-01 WEEE directive 2002/96/EC CSA C22.2 No 213 Class I Division 2 RoHS China SJ/T 11363-2006
product certifications	C-Tick CULus 508 GOST CUL 1604 Class 1 Division 2 KCC CULus CSA 22-2 No 142
marking	CE
ambient air temperature for operation	0...50 °C
ambient air temperature for storage	-20...60 °C
relative humidity	5...85 % without condensation
operating altitude	<= 2000 m
storage altitude	0...10000 m
maximum pressure	800...1114 hPa
IP degree of protection	IP65 for front panel conforming to IEC 60529 IP20 for rear panel conforming to IEC 60529
NEMA degree of protection	NEMA 4X for front panel
pollution degree	2 conforming to IEC 60664
environmental characteristic	Corrosive gas free

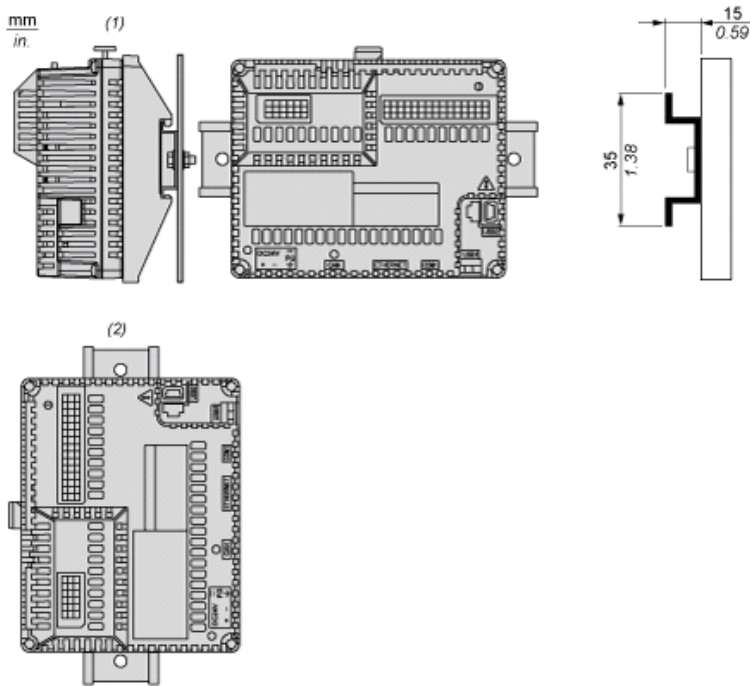
Offer Sustainability

Green Premium product	Green Premium product
Compliant - since 0844 - Schneider Electric declaration of conformity	Compliant - since 0844 - Schneider Electric declaration of conformity
Reference not containing SVHC above the threshold	Reference not containing SVHC above the threshold
Available	Available
Available	Available

Dimensions

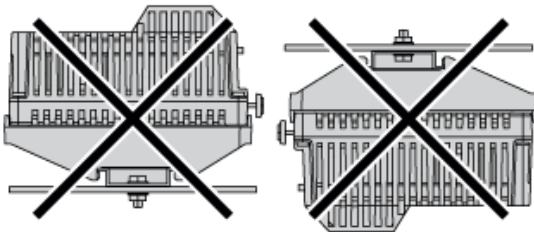


Recommended Mounting position

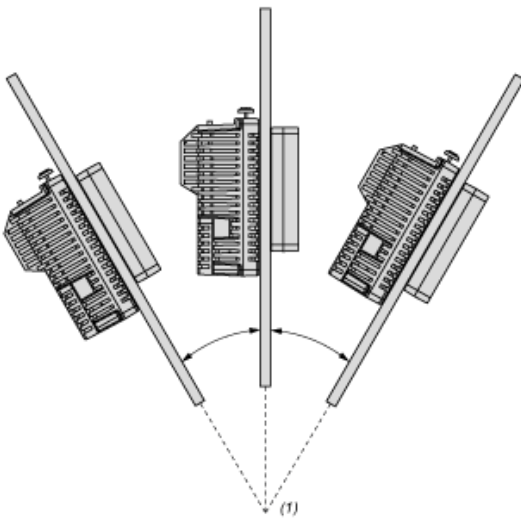


- (1) Horizontal mounting
- (2) Vertical mounting

No Recommended Mounting Position

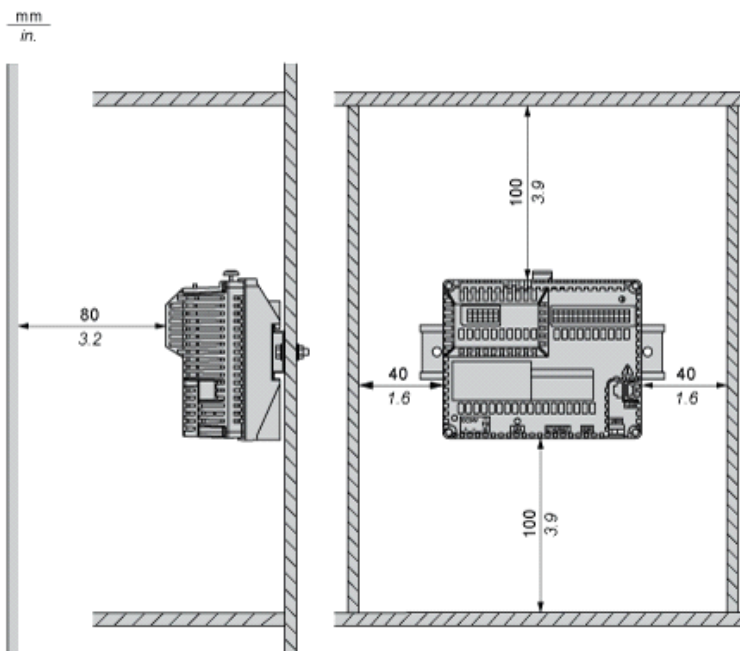


Mounting on a Slanted Panel



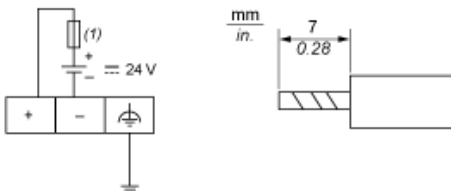
(1) 30° or less

Clearance



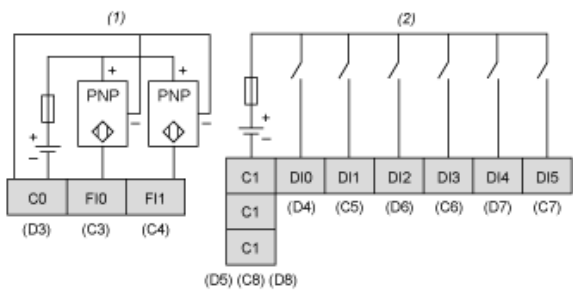
Keep adequate spacing for proper ventilation to maintain an ambient temperature between 0...50 °C (32...122 °F) for horizontal installation and 0...40 °C (32...104 °F) for vertical installation.

Wiring Diagram



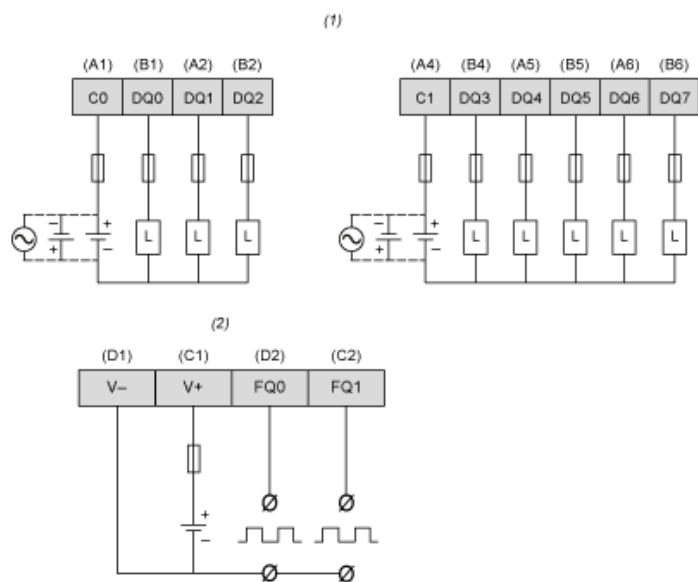
(1) Slow-blow 2A type T fuse

Wiring Diagram of Digital Inputs



- (1) HSC inputs with pin assignment of terminal blocks C,D.
- (2) Digital inputs with pin assignment of terminal blocks C,D.

Wiring Diagram of Digital Outputs



- (1) Digital outputs with pin assignment of terminal blocks A,B.
- (2) PWM outputs with pin assignment of terminal blocks C,D.
- (L) Load