



Glavno

Range	TeSys
Product or component type	Rotary handle
Device short name	GV7AP
Range compatibility	TeSys TeSys GV7
Accessory / separate part category	Control accessory
Product specific application	Locking in Off position

Komplementarno

Handle colour	Red
Handle front plate colour	Yellow
Type of operating handle	Front
Rotary handle mounting style	Direct
Rotary handle padlocking	Up to 3 padlocks with shank diameter of 5...8 mm
Back/door distance	185...600 mm
Product weight	0.205 kg

Okolina

IP degree of protection	IP40
-------------------------	------

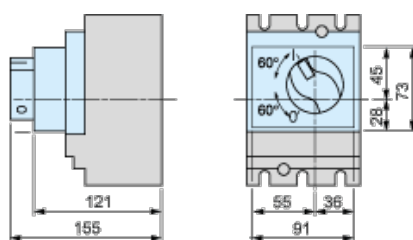
Offer Sustainability

Green Premium product	Green Premium product
Compliant - since 0744 - Schneider Electric declaration of conformity	Compliant - since 0744 - Schneider Electric declaration of conformity
Reference not containing SVHC above the threshold	Reference not containing SVHC above the threshold
Available	Available
Need no specific recycling operations	Need no specific recycling operations

Contractual warranty

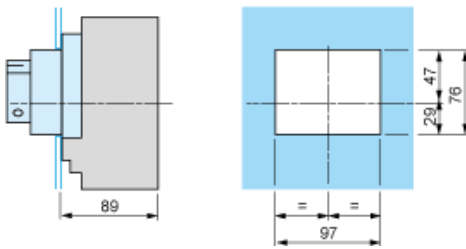
Warranty period	18 months
-----------------	-----------

Direct Rotary Handle GV7AP03, GV7AP04

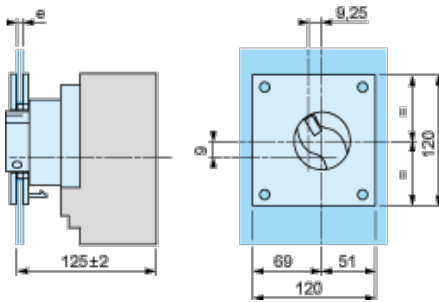


Flush-mounting

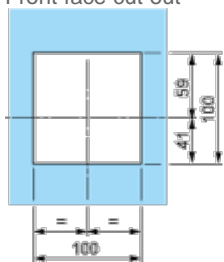
Informacije dane u ovoj dokumentaciji sadrže opće opise i/ili tehničke karakteristike o performansama ovdje sadržanih proizvoda. Ova dokumentacija nije namijenjena kao zamjena za niti bi se trebala koristiti za određivanje prikladnosti ili pouzdanosti predmetnih proizvoda za konkretne korisničke primjene. Svaki takav korisnik ili integrator dužan je provesti odgovarajuću i potpunu analizu rizika, procjenu i ispitivanje proizvoda u odnosu na odgovarajuću specifičnu primjenu ili uporabu istog. Niti društvo Schneider Electric Industries SAS niti bilo koje od njegovih povezanih poduzeća ili podružnica neće preuzeti obvezu ili snositi odgovornost za pogrešnu upotrebu ovdje sadržanih informacija.



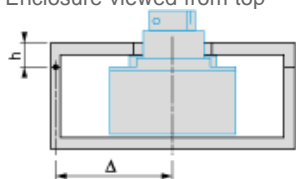
Direct Rotary Handle GV7AP03 or GV7AP04 with Conversion Accessory GV7AP05



Front face cut-out



Enclosure viewed from top



Door cut-outs require a minimum distance between the centre of the circuit breaker and the door hinge point $\Delta \geq 100 + (h \times 5)$