

## ATV950D90N4

frekventni pretvarač - ATV950 - 90kW - 400/480V - s  
kočionom jedinicom - IP55



### Glavno

Range of product	Altivar Process ATV900
Product or component type	Variable speed drive
Device application	Industrial application
Device short name	ATV950
Variant	Standard version With braking chopper
Product destination	Asynchronous motors Synchronous motors
Mounting mode	Wall mount
EMC filter	Integrated conforming to EN/IEC 61800-3 category C3 with <= 150 m motor cable maxi
IP degree of protection	IP55 conforming to IEC 60529 IP55 conforming to IEC 61800-5-1
Type of cooling	Forced convection
Supply frequency	50...60 Hz (+/- 5 %)
Network number of phases	3 phases
[Us] rated supply voltage	380...480 V (- 15... 10 %)
Motor power kW	90 kW (normal duty) 75 kW (heavy duty)
Motor power hp	125 hp (normal duty) 100 hp (heavy duty)
Line current	156.2 A at 380 V (normal duty) 135.8 A at 480 V (normal duty) 134.3 A at 380 V (heavy duty) 118.1 A at 480 V (heavy duty)
Prospective line I <sub>sc</sub>	50 kA
Apparent power	112.9 kVA at 480 V (normal duty) 98.2 kVA at 480 V (heavy duty)
Continuous output current	173 A at 2.5 kHz (normal duty) 145 A at 2.5 kHz (heavy duty)
Maximum transient current	217.5 A during 60 s (heavy duty) 207.6 A during 60 s (normal duty)
Asynchronous motor control profile	Constant torque standard Variable torque standard Optimized torque mode
Synchronous motor control profile	Permanent magnet motor Synchronous reluctance motor
Speed drive output frequency	0.1...599 Hz
Nominal switching frequency	2.5 kHz
Switching frequency	2.5...8 kHz with derating factor 1...8 kHz adjustable
Safety function	STO (safe torque off) SIL 3
Discrete input logic	16 preset speeds
Communication port protocol	Ethernet/IP Modbus serial Modbus TCP
Option card	Slot A: communication modulefor Profibus DP V1 Slot A: communication modulefor Profinet Slot A: communication modulefor DeviceNet Slot A: communication modulefor CANopen daisy chain RJ45 Slot A: communication modulefor CANopen SUB-

Informacije dane u ovoj dokumentaciji sadrže opće opise i/ili tehničke karakteristike o performansama ovdje sadržanih proizvoda. Ova dokumentacija nije namijenjena kao zamjena za niti bi se trebala koristiti za određivanje prikladnosti ili pouzdanosti predmetnih proizvoda za konkretne korisničke primjene. Svaki takav korisnik ili integrator dužan je provesti odgovarajuću i poplunu analizu rizika, procjenu i ispitivanje proizvoda u odnosu na odgovarajuću specifičnu primjenu ili uporabu istog. Niti društvo Schneider Electric, Industries SAS niti bilo koje od njegovih povezanih poduzeća ili podružnica neće preuzeti obvezu ili snositi odgovornost za pogrešnu upotrebu ovdje sadržanih informacija.

D 9  
Slot A: communication module for CANopen screw terminals  
Slot A: communication module for EtherCAT  
Slot A/slot B/slot C: digital and analog I/O extension module  
Slot A/slot B/slot C: output relay extension module  
Slot B: 5/12 V digital encoder interface module  
Slot B: analog encoder interface module  
Slot B: resolver encoder interface module  
Communication module for Ethernet Powerlink

## Komplementarno

Output voltage	<= power supply voltage
Motor slip compensation	Adjustable Automatic whatever the load Can be suppressed Not available in permanent magnet motor law
Acceleration and deceleration ramps	Linear adjustable separately from 0.01...9999 s
Braking to standstill	By DC injection
Protection type	Motor: thermal protection Motor: safe torque off Motor: motor phase break Drive: thermal protection Drive: safe torque off Drive: overheating Drive: overcurrent between output phases and earth Drive: overload of output voltage Drive: short-circuit protection Drive: motor phase break Drive: overvoltages on the DC bus Drive: line supply overvoltage Drive: line supply undervoltage Drive: line supply phase loss Drive: overspeed Drive: break on the control circuit
Frequency resolution	Display unit: 0.1 Hz Analog input: 0.012/50 Hz
Electrical connection	Control, screw terminal: 0.5...1.5 mm <sup>2</sup> (AWG 20...AWG 16) Line side, screw terminal: 95...120 mm <sup>2</sup> (AWG 3/0...250 kcmil) Motor, screw terminal: 120 mm <sup>2</sup> (AWG 4/0...250 kcmil) DC bus, screw terminal: 95...120 mm <sup>2</sup> (AWG 3/0...250 kcmil)
Connector type	2 RJ45 (on the control block) for Ethernet IP/Modbus TCP 1 RJ45 (on the control block) for Modbus serial
Physical interface	2-wire RS 485 for Modbus serial
Transmission frame	RTU for Modbus serial
Transmission rate	10/100 Mbit/s for Ethernet IP/Modbus TCP 4.8, 9.6, 19.2, 38.4 kbit/s for Modbus serial
Exchange mode	Half duplex, full duplex, autonegotiation for Ethernet IP/Modbus TCP
Data format	8 bits, configurable odd, even or no parity for Modbus serial
Type of polarization	No impedance for Modbus serial
Number of addresses	1...247 for Modbus serial
Method of access	Slave for Modbus TCP
Supply	External supply for digital inputs: 24 V DC (19...30 V) current <= 1.25 mA (overload and short-circuit protection) Internal supply for reference potentiometer (1 to 10 kOhm): 10.5 V DC +/- 5 % current <= 10 mA (overload and short-circuit protection) Internal supply for digital inputs and STO: 24 V DC (21...27 V) current <= 200 mA (overload and short-circuit protection)
Local signalling	3 mono/dual colour LED for local diagnostic 5 dual colour LED for embedded communication status 2 dual colour LED for communication module status 1 red LED for presence of voltage
Width	345 mm
Height	1250 mm
Depth	375 mm
Product weight	87.7 kg
Analogue input number	3

Analogue input type	Software-configurable voltage AI1, AI2, AI3: 0...10 V DC impedance 30 kOhm, resolution 12 bits Software-configurable current AI1, AI2, AI3: 0...20 mA/4...20 mA impedance 250 Ohm, resolution 12 bits
Discrete input number	10
Discrete input type	Programmable DI1...DI8: 24 V DC ( $\leq 30$ V) impedance 3.5 kOhm Programmable as pulse input DI7, DI8 0...30 kHz: 24 V DC ( $\leq 30$ V) Safe torque off STOA, STOB: 24 V DC ( $\leq 30$ V) impedance $> 2.2$ kOhm
Input compatibility	Discrete input STOA, STOB: level 1 PLC conforming to EN/IEC 61131-2 Discrete input DI1...DI8: level 1 PLC conforming to EN/IEC 61131-2 Pulse input DI7, DI8: level 1 PLC conforming to IEC 65A-68
Discrete input logic	DI1...DI8, DI1...DI8 positive logic (source) : $< 5$ V (state 0) $> 11$ V (state 1) DI1...DI8, DI1...DI8 negative logic (sink) : $> 16$ V (state 0) $< 10$ V (state 1) DI7, DI8, DI7, DI8 positive logic (source) : $< 0.6$ V (state 0) $> 2.5$ V (state 1) STOA, STOB, STOA, STOB positive logic (source) : $< 5$ V (state 0) $> 11$ V (state 1)
Analogue output number	2
Analogue output type	Software-configurable voltage AQ1, AQ2, AQ1, AQ2 : 0...10 V DC impedance 470 Ohm, resolution 10 bits Software-configurable current AQ1, AQ2, AQ1, AQ2 : 0...20 mA impedance 500 Ohm, resolution 10 bits
Discrete output number	2
Discrete output type	Logic output DQ+ : 0...1 kHz ( $\leq 30$ V) DC, 100 mA Programmable as pulse output DQ+ : 0...30 kHz ( $\leq 30$ V) DC, 20 mA Logic output DQ- : 0...1 kHz ( $\leq 30$ V) DC, 100 mA
Sampling duration	Discrete input DI1...DI8: 2 ms (+/- 0.5 ms) Pulse input DI7, DI8: 5 ms (+/- 1 ms) Analog input AI1, AI2, AI3: 1 ms (+/- 1 ms) Analog output AQ1, AQ2: 5 ms (+/- 1 ms)
Accuracy	Analog input AI1, AI2, AI3: +/- 0.6 % for a temperature variation 60 °C Analog output AQ1, AQ2: +/- 1 % for a temperature variation 60 °C
Linearity error	Analog input AI1, AI2, AI3: +/- 0.15 % of maximum value Analog output AQ1, AQ2: +/- 0.2 %
Maximum switching current	Relay output R1 on inductive load ( $\cos \phi = 0.4$ and $L/R = 7$ ms) : 2 A at 250 V AC Relay output R1 on inductive load ( $\cos \phi = 0.4$ and $L/R = 7$ ms) : 2 A at 30 V DC Relay output R2, R3 on inductive load ( $\cos \phi = 0.4$ and $L/R = 7$ ms) : 2 A at 250 V AC Relay output R2, R3 on inductive load ( $\cos \phi = 0.4$ and $L/R = 7$ ms) : 2 A at 30 V DC Relay output R1 on resistive load ( $\cos \phi = 1$ ) : 3 A at 250 V AC Relay output R1 on resistive load ( $\cos \phi = 1$ ) : 3 A at 30 V DC Relay output R2, R3 on resistive load ( $\cos \phi = 1$ ) : 5 A at 250 V AC Relay output R2, R3 on resistive load ( $\cos \phi = 1$ ) : 5 A at 30 V DC
Relay output number	3
Relay output type	Configurable relay logic R1: fault relay NO/NC electrical durability 100000 cycles Configurable relay logic R2: sequence relay NO electrical durability 1000000 cycles Configurable relay logic R3: sequence relay NO electrical durability 1000000 cycles
Refresh time	Relay output R1, R2, R3: 5 ms (+/- 0.5 ms)
Minimum switching current	Relay output R1, R2, R3: 5 mA at 24 V DC
Isolation	Between power and control terminals
Specific application	Process
IP degree of protection	IP55

## Okolina

insulation resistance	$> 1$ mOhm at 500 V DC for 1 minute to earth
noise level	69.9 dB conforming to 86/188/EEC
vibration resistance	1 gn ( $f = 13...200$ Hz) conforming to IEC 60068-2-6 1.5 mm peak to peak ( $f = 2...13$ Hz) conforming to IEC 60068-2-6
shock resistance	15 gn during 11 ms conforming to IEC 60068-2-27
operating position	Vertical +/- 10 degree
THDI	$\leq 48$ % from 80...100 % of load conforming to IEC 61000-3-12
electromagnetic compatibility	1.2/50 $\mu$ s - 8/20 $\mu$ s surge immunity test level 3 conforming to IEC 61000-4-5 Electrical fast transient/burst immunity test level 4 conforming to IEC 61000-4-4 Electrostatic discharge immunity test level 3 conforming to IEC 61000-4-2 Radiated radio-frequency electromagnetic field immunity test level 3 conforming to IEC 61000-4-3 Conducted radio-frequency immunity test level 3 conforming to IEC 61000-4-6
pollution degree	2 EN/IEC 61800-5-1

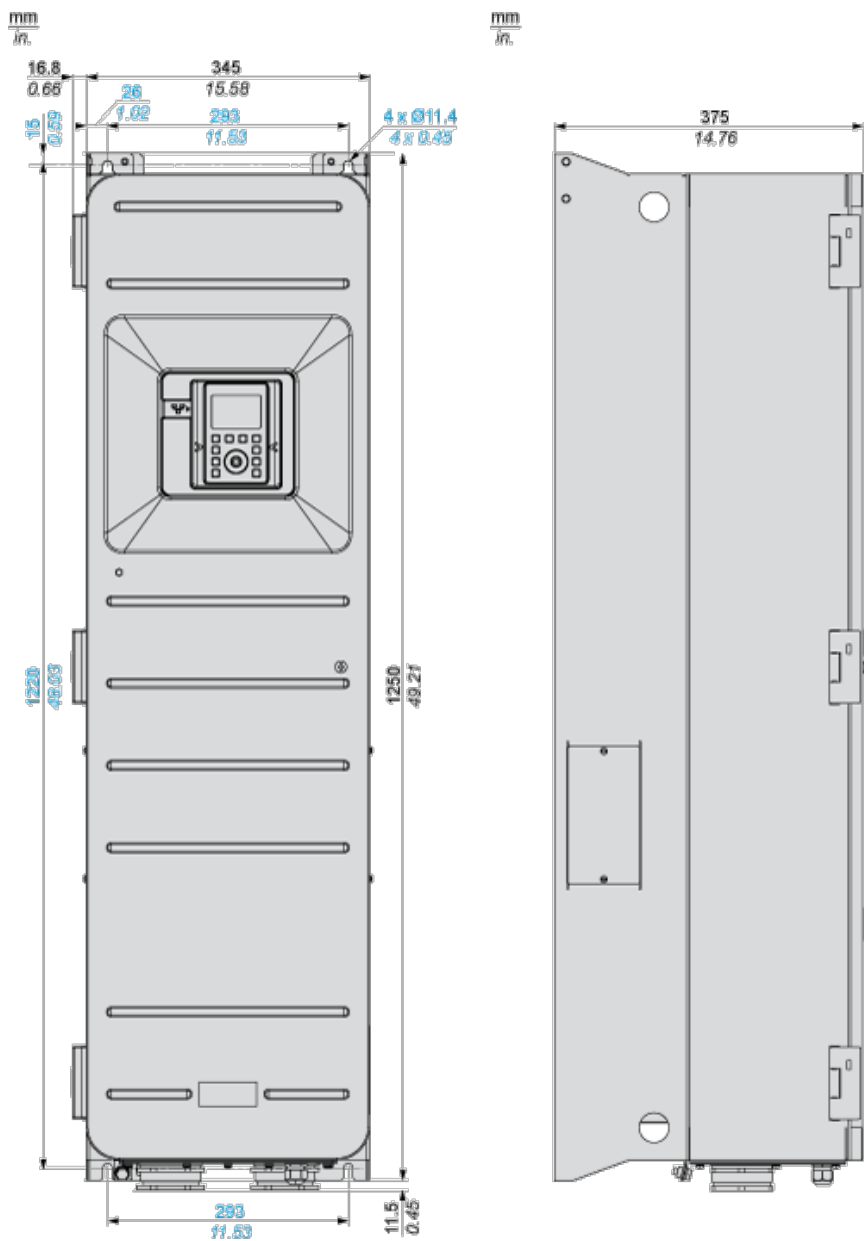
environmental characteristic	Chemical pollution resistance class 3C3 conforming to EN/IEC 60721-3-3 Dust pollution resistance class 3S3 conforming to EN/IEC 60721-3-3
relative humidity	5...95 % without condensation conforming to IEC 60068-2-3
ambient air temperature for operation	-15...40 °C without derating 40...50 °C with derating factor
ambient air temperature for storage	-40...70 °C
operating altitude	<= 1000 m without derating 1000...4800 m with current derating 1 % per 100 m
standards	EN/IEC 61800-3 UL 508C EN/IEC 61800-5-1 IEC 61000-3-12 IEC 60721-3 IEC 61508 IEC 13849-1 EN/IEC 61800-3 (environment 1 category C2) EN/IEC 61800-3 (environment 2 category C3)
product certifications	CSA TÜV UL REACH
marking	CE

## Offer Sustainability

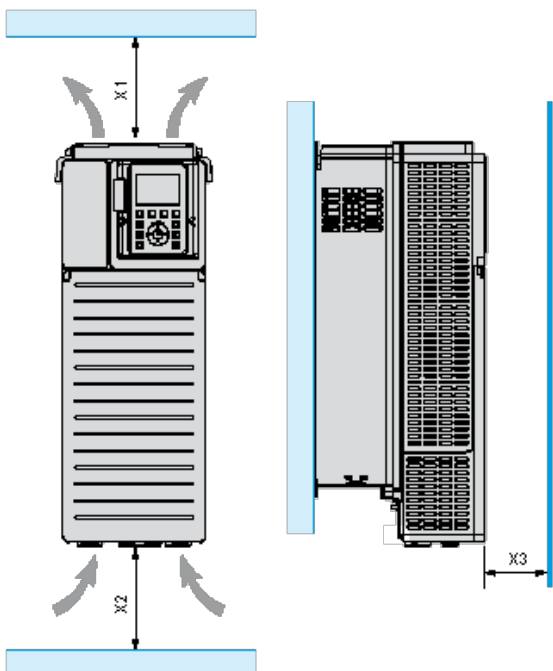
Green Premium product	Green Premium product
Compliant - since 1526 - Schneider Electric declaration of conformity	Compliant - since 1526 - Schneider Electric declaration of conformity
Reference not containing SVHC above the threshold	Reference not containing SVHC above the threshold
Available	Available
Available	Available

## Dimensions

Front and Left View



### Clearances

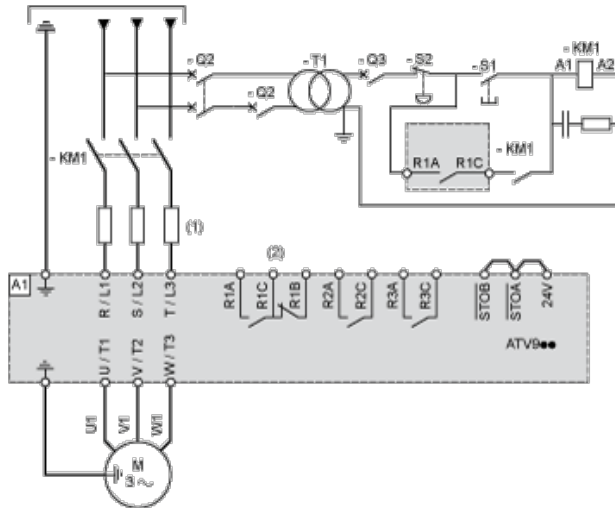


X1	X2	X3
≥ 100 mm (3.94 in.)	≥ 100 mm (3.94 in.)	≥ 10 mm (0.39 in.)

- Mount the device in a vertical position ( $\pm 10^\circ$ ). This is required for cooling the device.
- Do not mount the device close to heat sources.
- Leave sufficient free space so that the air required for cooling purposes can circulate from the bottom to the top of the drive.

### Three-Phase Power Supply with Upstream Breaking via Line Contactor

Connection diagrams conforming to standards EN 954-1 category 1 and IEC/EN 61508 capacity SIL1, stopping category 0 in accordance with standard IEC/EN 60204-1



- (1) Line choke if used
- (2) Use relay R1 set to operating state Fault to switch Off the product once an error is detected.

A1 : Drive

KM1 :Line Contactor

Q2, Circuit breakers

Q3 :

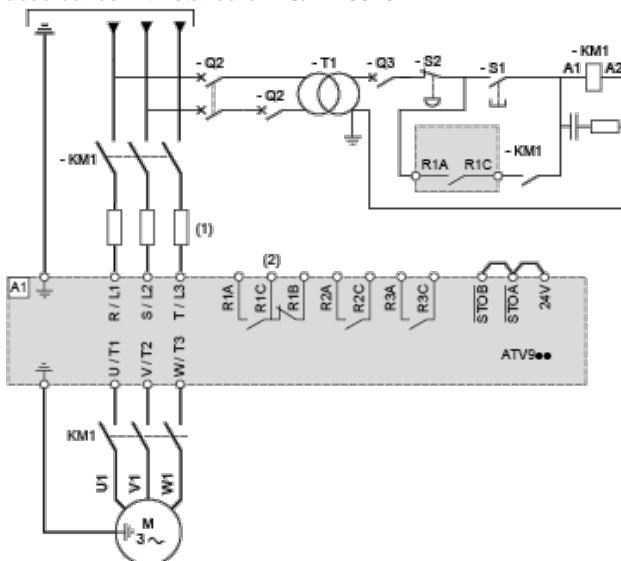
S1, Pushbuttons

S2 :

T1 : Transformer for control part

### Three-Phase Power Supply with Downstream Breaking via Contactor

Connection diagrams conforming to standards EN 954-1 category 1 and IEC/EN 61508 capacity SIL1, stopping category 0 in accordance with standard IEC/EN 60204-1

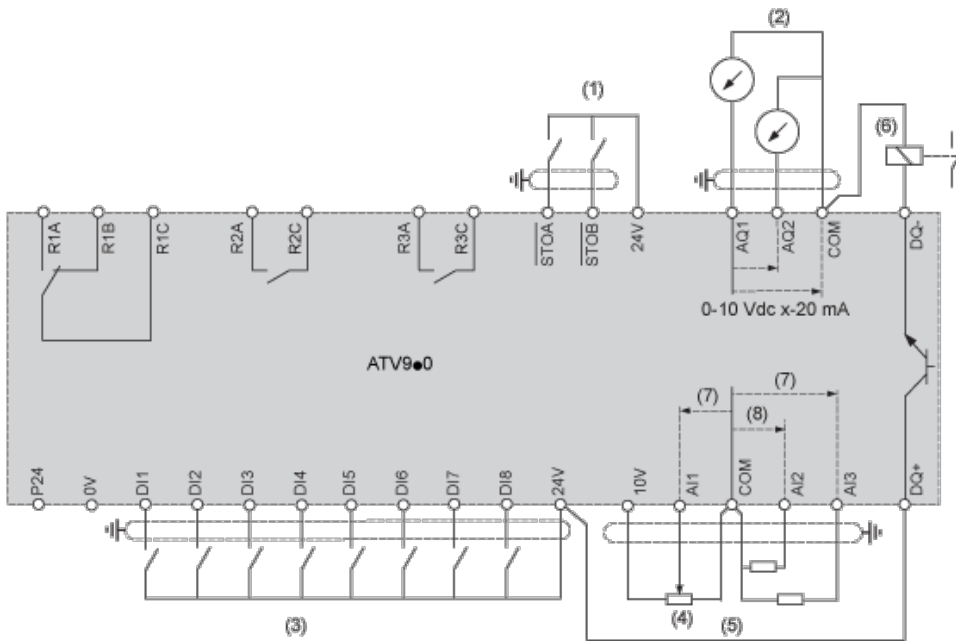


- (1) Line choke if used

- (2) Use relay R1 set to operating state Fault to switch Off the product once an error is detected.

A1 : Drive  
 KM1 :Contactor

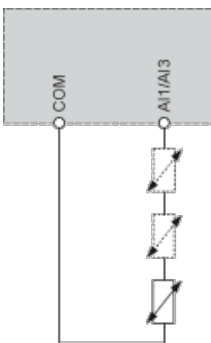
### Control Block Wiring Diagram



- (1) Safe Torque Off
- (2) Analog Output
- (3) Digital Input
- (4) Reference potentiometer
- (5) Analog Input
- (6) Digital Output
- (7) 0-10 Vdc, x-20 mA
- (8) 0-10 Vdc, -10 Vdc...+10 Vdc

R1A, Fault relay  
 R1B,  
 R1C :  
 R2A, Sequence relay  
 R2C :  
 R3A, Sequence relay  
 R3C :

### Sensor Connection



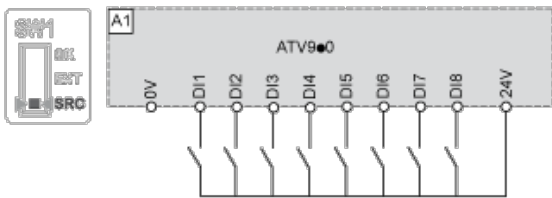
It is possible to connect either 1 or 3 sensors on terminals AI1 or AI3

### Sink / Source Switch Configuration

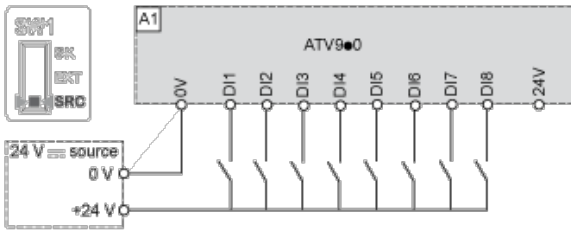
The switch is used to adapt the operation of the logic inputs to the technology of the programmable controller outputs.

- ▮ Set the switch to Source (factory setting) if using PLC outputs with PNP transistors.
- ▮ Set the switch to Ext if using PLC outputs with NPN transistors.

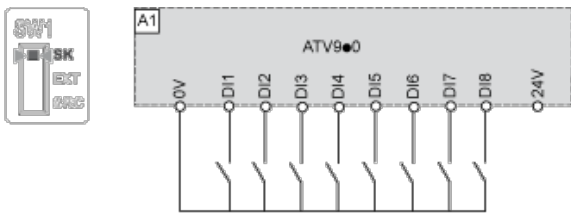
### Switch Set to SRC (Source) Position Using the Output Power Supply for the Digital Inputs



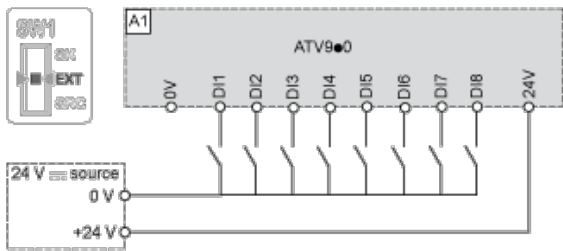
Switch Set to SRC (Source) Position and Use of an External Power Supply for the DIs



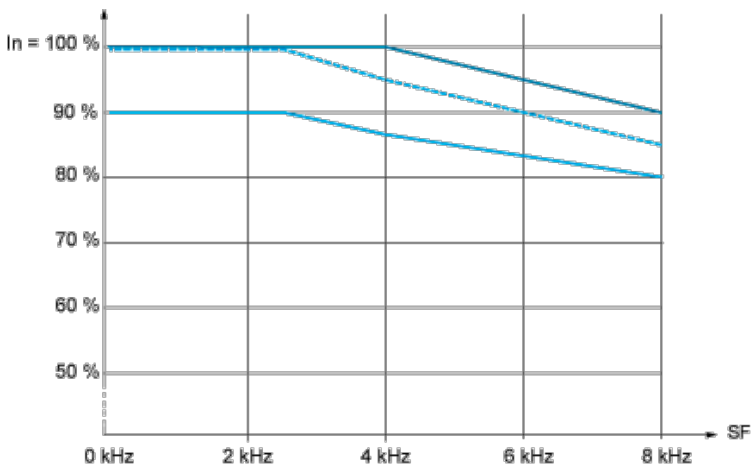
Switch Set to SK (Sink) Position Using the Output Power Supply for the Digital Inputs



Switch Set to EXT Position Using an External Power Supply for the DIs



### Derating Curves



— 40 °C (104 °F)

⋯ 45 °C (113 °F)

— 50 °C (122 °F)

In : Nominal Drive Current

SF : Switching Frequency