



### Glavno

|                           |                             |
|---------------------------|-----------------------------|
| Range of product          | Phaseo                      |
| Product or component type | Redundancy module           |
| Input voltage             | 24...28.8 V DC              |
| Output voltage            | (U <sub>in</sub> -0.2) V DC |
| Maximum output current    | 40 A                        |

### Komplementarno

|                           |                                                                                                                                                                                                                                                                                                                                                                                                                                                            |
|---------------------------|------------------------------------------------------------------------------------------------------------------------------------------------------------------------------------------------------------------------------------------------------------------------------------------------------------------------------------------------------------------------------------------------------------------------------------------------------------|
| Input voltage limits      | 22...30 V                                                                                                                                                                                                                                                                                                                                                                                                                                                  |
| Input current             | 20 A                                                                                                                                                                                                                                                                                                                                                                                                                                                       |
| Number of output channels | 1                                                                                                                                                                                                                                                                                                                                                                                                                                                          |
| Output protection type    | Against overload, protection technology: external protection by power supply<br>Against short-circuits, protection technology: external protection by power supply                                                                                                                                                                                                                                                                                         |
| Connections - terminals   | Screw type terminals for output connection, connection capacity: 2 x 0.5...2 x 10 mm <sup>2</sup><br>AWG 20...AWG 8<br>Screw type terminals for input connection, connection capacity: 4 x 0.5...4 x 10 mm <sup>2</sup><br>AWG 20...AWG 8<br>Removable screw terminal block for diagnostic relay, connection capacity: 1 x 2.5 mm <sup>2</sup> AWG 14                                                                                                      |
| Fixing mode               | By clips on 35 mm symmetrical DIN rail, operating position: horizontal<br>By clips on 35 mm symmetrical DIN rail, operating position: vertical                                                                                                                                                                                                                                                                                                             |
| Output coupling           | Parallel                                                                                                                                                                                                                                                                                                                                                                                                                                                   |
| Operating altitude        | 2000 m                                                                                                                                                                                                                                                                                                                                                                                                                                                     |
| Marking                   | CE                                                                                                                                                                                                                                                                                                                                                                                                                                                         |
| Name of test              | Conducted/radiated emissions conforming to EN 55022 Class B<br>Electrostatic discharges conforming to EN/IEC 61000-4-2<br>Emission conforming to EN 50081-1<br>Emission conforming to EN 61000-6-3<br>Induced electromagnetic field conforming to EN/IEC 61000-4-6 level 3<br>Radiated electromagnetic field conforming to EN/IEC 61000-4-3 level 3<br>Rapid transient conforming to IEC 61000-4-4 level 3<br>Surge conforming to EN/IEC 61000-4-5 level 2 |
| Local signalling          | 1 LED per input green, function: power supply status<br>1 relay, function: power supply status                                                                                                                                                                                                                                                                                                                                                             |
| Product weight            | 0.7 kg                                                                                                                                                                                                                                                                                                                                                                                                                                                     |

### Okolina

|                                       |                                                                                                                |
|---------------------------------------|----------------------------------------------------------------------------------------------------------------|
| IP degree of protection               | Conforming to EN/IEC 60529                                                                                     |
| ambient air temperature for operation | -25...60 °C                                                                                                    |
| ambient air temperature for storage   | -40...85 °C                                                                                                    |
| relative humidity                     | 0...90 % during operation<br>0...95 % during storage                                                           |
| overvoltage category                  | Class II conforming to VDE 0106-1                                                                              |
| vibration resistance                  | 3.5 mm (f = 3...11.9 Hz) conforming to EN/IEC 61131-2<br>2 gn (f = 11.9...150 Hz) conforming to EN/IEC 61131-2 |
| dielectric strength                   | 500 V between input and ground<br>500 V between output and ground                                              |
| product certifications                | RCM<br>EAC                                                                                                     |
| standards                             | UL 508                                                                                                         |

Informacije dane u ovoj dokumentaciji sadrže opće opise i/ili tehničke karakteristike o performansama ovdje sadržanih proizvoda. Ova dokumentacija nije namijenjena kao zamjena za niti bi se trebala koristiti za određivanje prikladnosti ili pouzdanosti predmetnih proizvoda za konkretne korisničke primjene. Svaki takav korisnik ili integrator dužan je provesti odgovarajuću i potpunu analizu rizika, procjenu i ispitivanje proizvoda u odnosu na odgovarajuću specifičnu primjenu ili uporabu istog. Niti društvo Schneider Electric Industries SAS niti bilo koje od njegovih povezanih podružnica neće preuzeti obvezu ili snositi odgovornost za pogrešnu upotrebu ovdje sadržanih informacija.

environmental characteristic

EMC conforming to EN 61000-6-3  
 EMC conforming to EN/IEC 61000-6-2  
 Safety conforming to EN/IEC 60950-1  
 Safety conforming to EN/IEC 61204

### Offer Sustainability

Not Green Premium product

Not Green Premium product

Compliant - since 0501 - Schneider Electric declaration of conformity

Compliant - since 0501 - Schneider Electric declaration of conformity

Reference not containing SVHC above the threshold

Reference not containing SVHC above the threshold

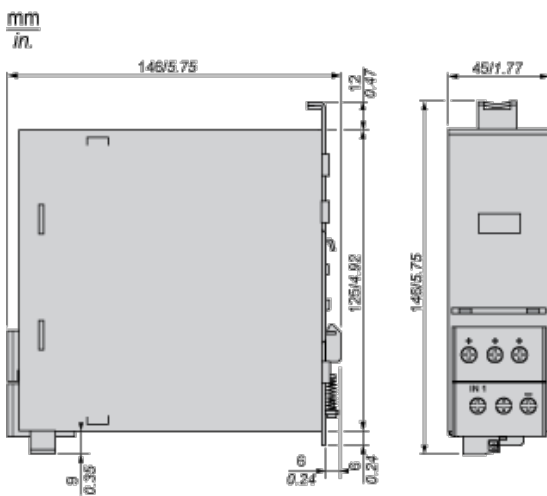
### Contractual warranty

Warranty period

18 months

## Redundancy Module

### Dimensions



## Redundancy Module

### Mounting

Redundancy modules can be installed on a DIN rail. The graphic below provides the characteristics and references of the compatible DIN rails for the mounting of the module.

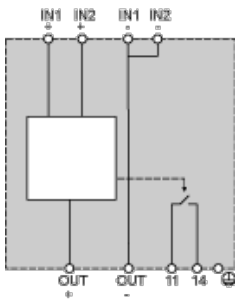


## Wiring Requirements

### Cable Types and Wire Sizes

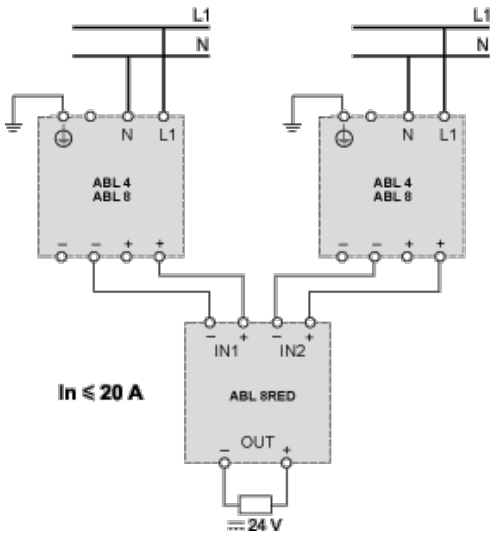
| mm<br>in.                           | 10<br>0.39                          | 17<br>0.67 | ABL                  | 8RPS24030 | 8RPS24050<br>8RPS24100 | 8RPM24200<br>8WPS24200/24400 |
|-------------------------------------|-------------------------------------|------------|----------------------|-----------|------------------------|------------------------------|
| Ø ≤ 4 mm <sup>2</sup><br>Ø ≤ 12 AWG | Ø > 4 mm <sup>2</sup><br>Ø > 12 AWG |            |                      |           |                        |                              |
| + In -                              |                                     |            | mm <sup>2</sup> /AWG |           | 1...4 / 16...12        |                              |
| + Out -                             |                                     |            | mm <sup>2</sup> /AWG |           | 1...4 / 16...12        | 4...10 / 12...6              |
| ⊕ ⊖                                 |                                     |            | mm/in                |           | 4 / 0.16               |                              |
| 11...14                             |                                     |            | mm <sup>2</sup> /AWG | -         |                        | 0,2...2,5 / 24...14          |

### Internal Wiring Diagram



## Scheme of Use with Power Supplies

### Wiring Diagram with $I_n \leq 20\text{mA}$



### Wiring Diagram with $I_n \leq 40\text{mA}$

