

## ABL8PRP24100

elektronički zaštitni modul – 28..28,8 V DC – 10 A –  
za regulirani SMPS



### Glavno

Range of product	Phaseo
Product or component type	Electronic protection module
Input voltage	24...28.8 V DC
Output voltage	(U <sub>in</sub> -0.3) V DC
Maximum output current	10 A per channel, rating: 1/2.5/4/5/7/8/10

### Komplementarno

Input voltage limits	19...32 V
Input current	40 A
Number of output channels	4
Output protection type	Against overload, protection technology: 1.3 x I <sub>n</sub> Against short-circuits, protection technology: automatic reset Line protection, protection technology: 1 x 15 A integrated fuse per channel
Complementary function	2-pole breaking by channel
Breaking capacity	1000 A at 32 V DC by fuse
Connections - terminals	Screw type terminals for input connection, connection capacity: 4 x 0.5...4 x 10 mm <sup>2</sup> AWG 20...AWG 8 Removable screw terminal block for diagnostic relay, connection capacity: 1 x 2.5 mm <sup>2</sup> AWG 14 Screw type terminals for output connection, connection capacity: 8 x 0.5...8 x 4 mm <sup>2</sup> AWG 20...AWG 10
Fixing mode	By clips on 35 mm symmetrical DIN rail, operating position: vertical On panel
Operating altitude	2000 m
Marking	CE
Name of test	Conducted/radiated emissions conforming to EN 55022 Class B Electrostatic discharges conforming to EN/IEC 61000-4-2 Emission conforming to EN 50081-1 Emission conforming to EN 61000-6-3 Induced electromagnetic field conforming to EN/IEC 61000-4-6 level 3 Radiated electromagnetic field conforming to EN/IEC 61000-4-3 level 3 Rapid transient conforming to IEC 61000-4-4 level 3 Surge conforming to EN/IEC 61000-4-5 level 2
Local signalling	1 LED per channel green/red, function: channel status 1 relay, function: channel status
Product weight	0.47 kg

### Okolina

IP degree of protection	Conforming to EN/IEC 60529
ambient air temperature for operation	-25...60 °C
ambient air temperature for storage	-40...85 °C
relative humidity	0...90 % during operation 0...95 % during storage
overvoltage category	Class II conforming to VDE 0106-1
vibration resistance	3.5 mm (f = 3...11.9 Hz) conforming to EN/IEC 61131-2 2 gn (f = 11.9...150 Hz) conforming to EN/IEC 61131-2

Informacije dane u ovoj dokumentaciji sadrže opće opise i/ili tehničke karakteristike o performansama ovdje sadržanih proizvoda.  
Ova dokumentacija nije namijenjena kao zamjena za niti bi se trebala koristiti za određivanje prikladnosti ili pouzdanosti predmetnih proizvoda za konkretne korisničke primjene.  
Svaki takav korisnik ili integrator dužan je provesti odgovarajuću i potpunu analizu rizika, procjenu i ispitivanje proizvoda u odnosu na odgovarajuću specifičnu primjenu ili uporabu istog.  
Niti društvo Schneider Electric Industries SAS niti bilo koje od njegovih povezanih poduzeća ili podružnica neće preuzeti obvezu ili snositi odgovornost za pogrešnu upotrebu ovdje sadržanih informacija.

dielectric strength	500 V between input and ground 500 V between output and ground
product certifications	RCM EAC
standards	UL 508 CSA C22.2 No 60950-1
environmental characteristic	EMC conforming to EN 61000-6-3 EMC conforming to EN/IEC 61000-6-2 Safety conforming to EN/IEC 60950-1 Safety conforming to EN/IEC 61204-3

## Offer Sustainability

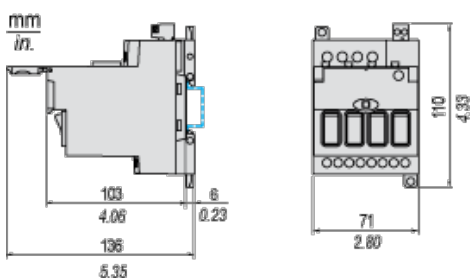
Green Premium product	Green Premium product
Compliant - since 0501 - Schneider Electric declaration of conformity	Compliant - since 0501 - Schneider Electric declaration of conformity
Reference not containing SVHC above the threshold	Reference not containing SVHC above the threshold
Available	Available
Available	Available

## Contractual warranty

Warranty period	18 months
-----------------	-----------

## Downstream Electronic Protection Module

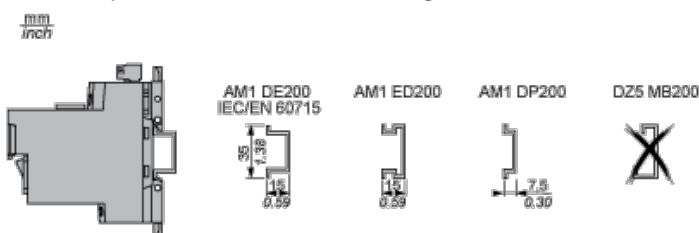
### Dimensions



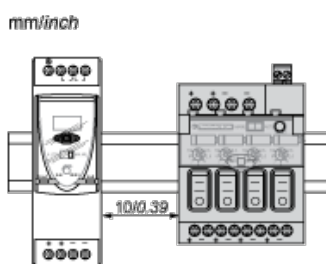
## Downstream Electronic Protection Module

### Mounting DIN rails

Downstream electronic protection modules can be installed on a DIN rail. The graphic below provides the characteristics and references of the compatible DIN rails for the mounting of the module.



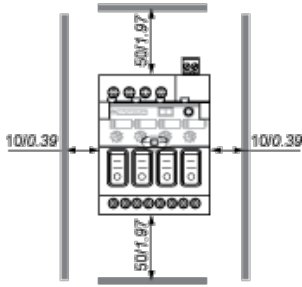
### Module Mounting



## Downstream Electronic Protection Module

## Clearance

mm/inch

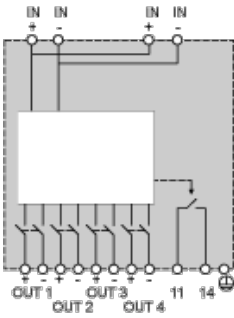


## Wiring Requirements

### Cable Types and Wire Sizes

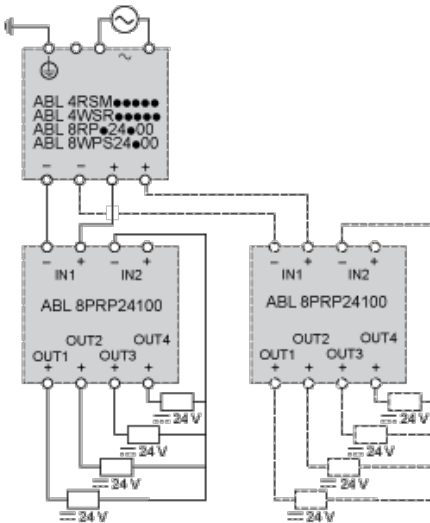
mm inch	$\frac{10}{0.39}$		ABL	8RPS24030 8RPS24050 8RPS24100	8RPM24200 8WPS24200/24400
		lin / Ulin	mm <sup>2</sup> /AWG	1...4 / 16...12	4...10 / 12...6
		Isut / Uout	mm <sup>2</sup> /AWG	0,5...4 / 20...12	
		11...14	mm <sup>2</sup> /AWG	0,2...2,5 / 24...14	

## Internal Wiring Diagram



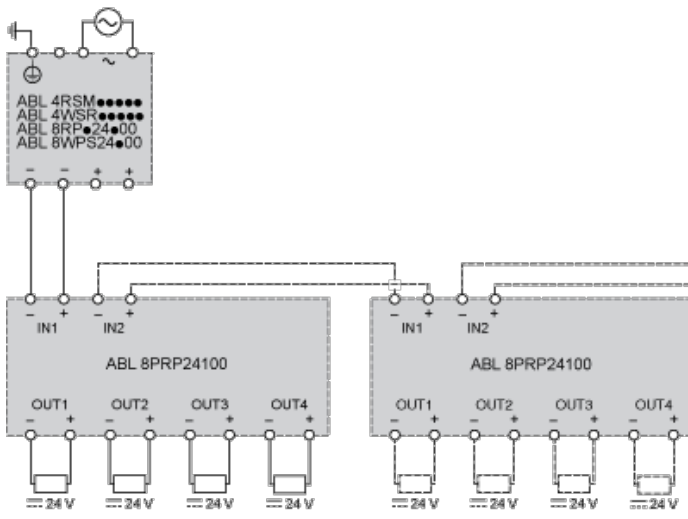
## Wiring Diagrams

### 24 Vdc Output Circuits with Common Point



IN1 and IN2 terminals limited to 40 A

### 24 Vdc Output Circuits without Common Point



IN1 and IN2 terminals limited to 40 A