



## Glavno

Range of product	Phaseo
Product or component type	Buffer module
Input voltage	24...28.8 V DC
Output voltage	(U <sub>in</sub> -0.25) V in nominal mode DC (U <sub>in</sub> -1) V in buffer mode DC
Maximum output current	40 A
Holding time	0.1 sat 40 A 6 sat 0.5 A

## Komplementarno

Input voltage limits	22...30 V
Current consumption	<= 40.6 A 0.6 A, on load 0.1 mA, no load
Charging time	25 h
Power dissipation in W	<= 15 W
Activation threshold	(U <sub>in</sub> -1) V and 22 V min
Number of output channels	1
Output protection type	Against overload, protection technology: > 45 A Against short-circuits, protection technology: power-supplied mode, automatic reset Against undervoltage, protection technology: tripping if U < 19 V
Connections - terminals	Screw type terminals for input connection, connection capacity: 2 x 0.5...2 x 10 mm <sup>2</sup> AWG 20...AWG 8 Screw type terminals for output connection, connection capacity: 2 x 0.5...2 x 10 mm <sup>2</sup> AWG 20...AWG 8 Removable screw terminal block for diagnostic relay, connection capacity: 1 x 2.5 mm <sup>2</sup> AWG 14
Fixing mode	By clips on 35 mm symmetrical DIN rail, operating position: horizontal By clips on 35 mm symmetrical DIN rail, operating position: vertical
Output coupling	Parallel
Operating altitude	2000 m
Marking	CE
Name of test	Electrostatic discharges conforming to EN/IEC 61000-4-2 Emission conforming to EN 61000-6-3 Induced electromagnetic field conforming to EN/IEC 61000-4-6 level 3 Radiated electromagnetic field conforming to EN/IEC 61000-4-3 level 3 Rapid transient conforming to IEC 61000-4-4 level 3 Surge conforming to EN/IEC 61000-4-5 level 2 Conducted/radiated emissions conforming to EN 55022 Class B, 20 % derating factor
Local signalling	1 LED green, function: buffer ready 1 relay, function: buffer ready
Product weight	1.2 kg

## Okolina

IP degree of protection	Conforming to EN/IEC 60529
ambient air temperature for operation	-25...60 °C
ambient air temperature for storage	-40...85 °C
relative humidity	0...90 % during operation 0...95 % during storage
overvoltage category	Class II conforming to VDE 0106-1
vibration resistance	3.5 mm (f = 3...11.9 Hz) conforming to EN/IEC 61131-2

Informacije dane u ovoj dokumentaciji sadrže opće opise i/ili tehničke karakteristike o performansama ovdje sadržanih proizvoda.  
 Ova dokumentacija nije namijenjena kao zamjena za niti bi se trebala koristiti za određivanje prikladnosti ili pouzdanosti predmetnih proizvoda za konkretne korisničke primjene.  
 Svaki takav korisnik ili integrator dužan je provesti odgovarajuću i potpunu analizu rizika, procjenu i ispitivanje proizvoda u odnosu na odgovarajuću specifičnu primjenu ili uporabu istog.  
 Niti društvo Schneider Electric, Industries SAS niti bilo koje od njegovih povezanih poduzeća ili podružnica neće preuzeti obvezu ili snositi odgovornost za pogrešnu upotrebu ovdje sadržanih informacija.

	2 gn (f = 11.9...150 Hz) conforming to EN/IEC 61131-2
dielectric strength	500 V between input and ground 500 V between output and ground
product certifications	RCM EAC
standards	UL 508 CSA C22.2 No 60950-1
environmental characteristic	EMC conforming to EN 61000-6-3 EMC conforming to EN/IEC 61000-6-2 Safety conforming to EN/IEC 60950-1 Safety conforming to EN/IEC 61204-3

## Offer Sustainability

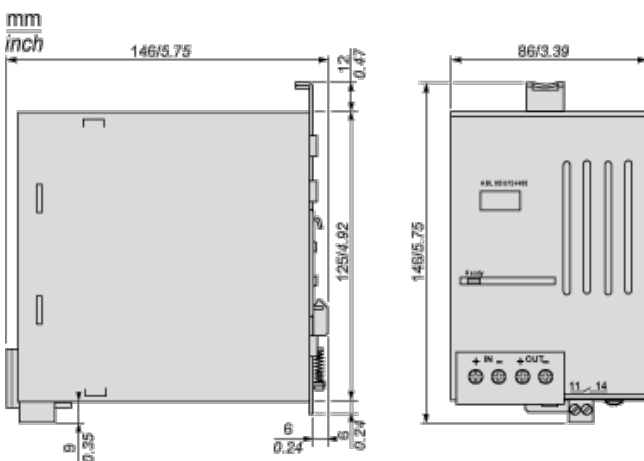
Not Green Premium product	Not Green Premium product
Compliant - since 0501 - Schneider Electric declaration of conformity	Compliant - since 0501 - Schneider Electric declaration of conformity
Reference not containing SVHC above the threshold	Reference not containing SVHC above the threshold

## Contractual warranty

Warranty period	18 months
-----------------	-----------

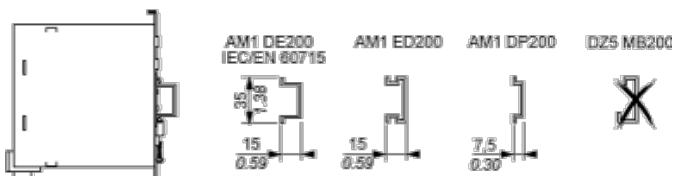
## 24...28.8 Vdc/40 A Power Supply Buffer Module

### Dimensions



## 24...28.8 Vdc/40 A Power Supply Buffer Module

### Mounting



## Wiring Requirements

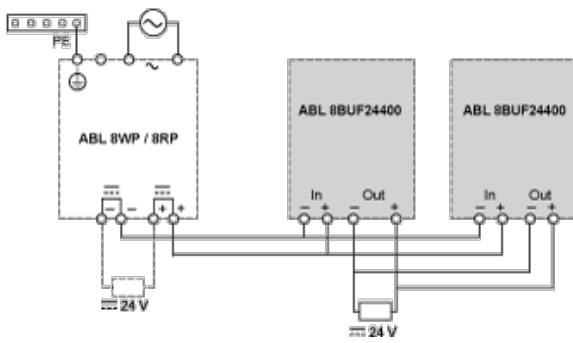
### Cable Types and Wire Sizes

mm inch		ABL	8RPS24030	8RPS24050 8RPS24100	8RPM124200 8WPS24200/24400
+ In -	mm <sup>2</sup> /AWG			1...4 / 16...12	
+ Out -	mm <sup>2</sup> /AWG			1...4 / 16...12	4...10 / 12...6
	mm/in			4 / 0.16	
11...14	mm <sup>2</sup> /AWG			-	0,2...2,5 / 24...14

## Paralleling Power Supply Buffer Modules

### Wiring Diagram

Two outputs of buffer modules at maximum can be connected in parallel.



Supply by R/C (NMTR2, NMTR8), (E164867), Model ABL8 series.