

ABL8BPK24A12

baterija – 24 V DC – 75 A – 7 AH – za upravljački modul baterije



Glavno

Range of product	Phaseo
Product or component type	Battery module
Input voltage	24 V DC
Output voltage	24 V DC
Maximum output current	75 A
Battery capacity	12 AH
Holding time	< 20 hat 0.6 A, 20 °C > 5 minat 31.3 A, 20 °C

Komplementarno

Input voltage limits	21...29 V
Load current	1.2 A
Charging time	72 h
Output protection type	Against overload and short-circuits, protection technology: 2 x 30 A automotive type fuses
Connections - terminals	Screw type terminals for input connection, connection capacity: 4 x 0.5...4 x 10 mm ² AWG 20...AWG 8 Screw type terminals for output connection, connection capacity: 4 x 0.5...4 x 10 mm ² AWG 20...AWG 8
Self-discharge rate	15 %, 6 months 3 %, 1 month 9 %, 3 months
Fixing mode	By 2 screws, screw(s) Ø = 5 mm on horizontal panel, operating position: horizontal By 4 screws, screw(s) Ø = 5 mm on vertical panel, operating position: vertical
Output coupling	Parallel
Operating altitude	2000 m
Service life in hours	11000 hat 40 °C 15000 hat 35 °C 22000 hat 30 °C 31000 hat 25 °C 44000 hat 20 °C 5000 hat 50 °C 7300 hat 45 °C
Marking	CE
Product weight	12 kg

Okolina

IP degree of protection	Conforming to EN/IEC 60529
ambient air temperature for operation	0...40 °C
ambient air temperature for storage	-20...50 °C
overvoltage category	Class 3 conforming to VDE 0106-1
vibration resistance	3.5 mm (f = 3...11.9 Hz) conforming to EN/IEC 61131-2 2 gn (f = 11.9...150 Hz) conforming to EN/IEC 61131-2
product certifications	GOST UL

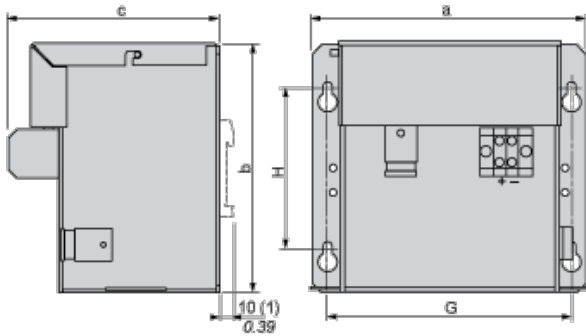
Contractual warranty

Warranty period	18 months
-----------------	-----------

24 Vdc Battery Module

Dimensions

mm
inch

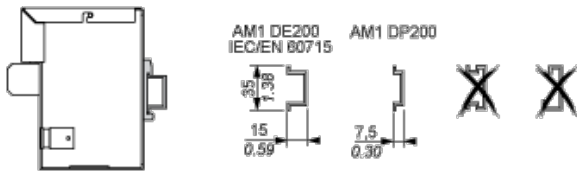


ABL	a	b	c	G	H
8BPK24A03	184/7.24	138,5/5.45	131	156/6.14	83/3.27
8BPK24A07	170/6.69	155,5/6.12	131	152/5.98	100/3.94
8BPK24A12	236/9.29	155,5/6.12	131	218/3.94	100/3.94

(1) ABL8BPK24A03 (with kit ABL1A02)

24 Vdc Battery Module

Mounting



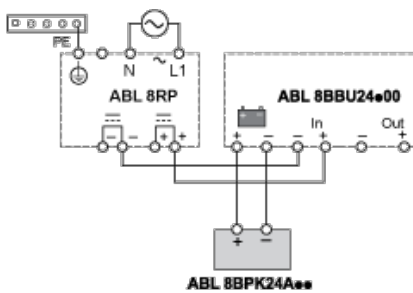
Wiring Requirements

Cable Types and Wire Sizes

ITEM	17	18	17	ABL	ABL
$\varnothing \leq 4 \text{ mm}^2$ $\varnothing \leq 12 \text{ AWG}$	$\varnothing > 4 \text{ mm}^2$ $\varnothing > 12 \text{ AWG}$	$\varnothing > 4 \text{ mm}^2$ $\varnothing > 12 \text{ AWG}$	$\varnothing > 4 \text{ mm}^2$ $\varnothing > 12 \text{ AWG}$	8BBU24200	8BBU24400
ABL 8BPK24A**				6 / 10	10 / 6
$\varnothing 5,5 \text{ mm} / 0.22 \text{ in}$			Nm 1,7 lb-in 15		

24 Vdc Battery Module Wiring

Wiring Diagram



Paralleling 2 x ABL8PK24A12

Wiring Diagram

