

ABL8BPK24A03

baterija – 24 V DC – 32 A – 3,2 AH – za upravljački modul baterije



Glavno

Range of product	Phaseo
Product or component type	Battery module
Input voltage	24 V DC
Output voltage	24 V DC
Maximum output current	32 A
Battery capacity	3.2 AH
Holding time	< 20 hat 0.16 A, 20 °C > 5 minat 8.4 A, 20 °C

Komplementarno

Input voltage limits	21...29 V
Load current	0.3 A
Charging time	72 h
Output protection type	Against overload and short-circuits, protection technology: 1 x 20 A automotive type fuse
Connections - terminals	Screw type terminals for input connection, connection capacity: 2 x 0.5...2 x 10 mm ² AWG 20...AWG 8 Screw type terminals for output connection, connection capacity: 2 x 0.5...2 x 10 mm ² AWG 20...AWG 8
Self-discharge rate	15 %, 6 months 3 %, 1 month 9 %, 3 months
Fixing mode	By 2 screws, screw(s) Ø = 5 mm on horizontal panel, operating position: horizontal By 4 screws, screw(s) Ø = 5 mm on vertical panel, operating position: vertical By clips (with mounting kit) on 35 mm symmetrical DIN rail, operating position: horizontal By clips (with mounting kit) on 35 mm symmetrical DIN rail, operating position: vertical
Output coupling	Parallel
Operating altitude	2000 m
Service life in hours	11000 hat 40 °C 15000 hat 35 °C 22000 hat 30 °C 31000 hat 25 °C 44000 hat 20 °C 5000 hat 50 °C 7300 hat 45 °C
Marking	CE
Product weight	3.5 kg

Okolina

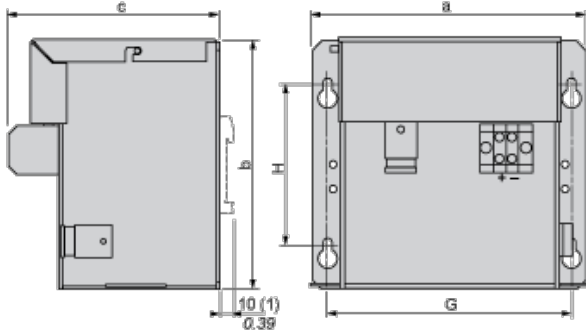
IP degree of protection	Conforming to EN/IEC 60529
ambient air temperature for operation	0...40 °C
ambient air temperature for storage	-20...50 °C
overvoltage category	Class 3 conforming to VDE 0106-1
vibration resistance	3.5 mm (f = 3...11.9 Hz) conforming to EN/IEC 61131-2 2 gn (f = 11.9...150 Hz) conforming to EN/IEC 61131-2
product certifications	GOST UL

Informacije dane u ovoj dokumentaciji sadrže opće opise i/ili tehničke karakteristike o performansama ovdje sadržanih proizvoda. Ova dokumentacija nije namijenjena kao zamjena za niti bi se trebala koristiti za određivanje prikladnosti ili pouzdanosti predmetnih proizvoda za konkretne korisničke primjene. Svaki takav korisnik ili integrator dužan je provesti odgovarajuću i popunnu analizu rizika, procjenu i ispitivanje proizvoda u odnosu na odgovarajuću specifičnu primjenu ili uporabu istog. Niti društvo Schneider Electric Industries SAS niti bilo koje od njegovih povezanih poduzeća ili podružnica neće preuzeti obvezu ili snositi odgovornost za pogrešnu upotrebu ovdje sadržanih informacija.

24 Vdc Battery Module

Dimensions

mm
inch

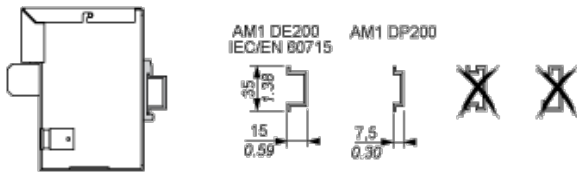


ABL	a	b	c	G	H
8BPK24A03	184/7.24	138,5/5.45	131	156/6.14	83/3.27
8BPK24A07	170/6.69	155,5/6.12	131	152/5.98	100/3.94
8BPK24A12	238/9.29	155,5/6.12	131	218/3.94	100/3.94

(1) ABL8BPK24A03 (with kit ABL1A02)

24 Vdc Battery Module

Mounting



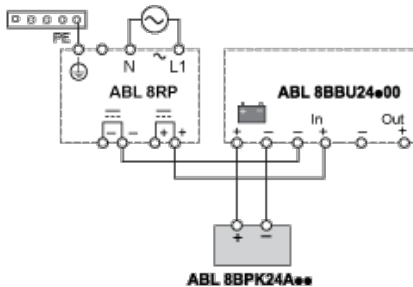
Wiring Requirements

Cable Types and Wire Sizes

mm	AWG	mm	AWG	ABL 8BBU24200	ABL 8BBU24400
Ø ≤ 4 mm ²	Ø ≤ 12 AWG	Ø ≥ 4 mm ²	Ø ≥ 12 AWG	6 / 10	10 / 6
ABL 8BPK24A** 4/ - mm ² /AWG					
Ø 5,5 mm/0.22 in				Nm	1,7 Nm max
				lb-in	15

24 Vdc Battery Module Wiring

Wiring Diagram



Paralleling 2 x ABL8PK24A0•

Wiring Diagram

