

## ABL1RPM24062

regulirani SMPS – jednofazni – 100..240 V ulaz – 24 V izlaz – 150 W



### Glavno

Range of product	Phaseo Dedicated
Product or component type	Power supply
Power supply type	Regulated switch mode
Rated power in W	150 W
Input voltage	100...120 V AC single phase 180...370 V DC 200...240 V AC single phase
Output voltage	24 V DC
Power supply output current	6.2 A
Operating position	Any position
Vibration resistance	2 gn (f = 9...150 Hz) conforming to EN/IEC 61131-2 3.5 mm (f = 5...9 Hz) conforming to EN/IEC 61131-2
Name of test	Conducted interference conforming to EN 61000-4-8 level 4 Conducted/radiated emissions conforming to EN 55022 Class B Conducted/radiated emissions conforming to EN/IEC 55011 Electrostatic discharges conforming to EN/IEC 61000-4-2 level 3 Emission conforming to EN/IEC 61000-6-3 Induced electromagnetic field conforming to EN/IEC 61000-4-6 level 3 Primary outage conforming to IEC 61000-4-11 Radiated electromagnetic field conforming to EN/IEC 61000-4-3 level 3 Rapid transient conforming to IEC 61000-4-4 level 3 Surge conforming to EN/IEC 61000-4-5

### Komplementarno

Input voltage limits	170...264 V 85...132 V
Network frequency	47...63 Hz
Inrush current	<= 50 A at 115 V AC <= 100 A at 230 V AC
Cos phi	0.7...0.95
Efficiency	> 80 %
Power dissipation in W	37.5 W
Current consumption	5 A at 100 V 2.5 A at 240 V
Input protection type	Integrated fuse (not interchangeable)
Output voltage limits	21.6...26.4 V
Line and load regulation	+/- 3 %
Holding time	>= 10 ms at 100 V >= 40 ms at 240 V
Output protection type	Against overload, protection technology: 1.1...1.5 x In Against overvoltage, protection technology: tripping if U > 1.25 x Un Against short-circuits, protection technology: automatic reset Thermal
Connections - terminals	Screw type terminalsfor ground connection, connection capacity: 1 x 4 mm <sup>2</sup> AWG 12 Screw type terminalsfor input connection, connection capacity: 2 x 4 mm <sup>2</sup> AWG 12 Screw type terminalsfor output connection, connection capacity: 4 x 4 mm <sup>2</sup> AWG 12
Marking	CE

Informacije dane u ovoj dokumentaciji sadrže opće opise i/ili tehničke karakteristike o performansama ovdje sadržanih proizvoda. Ova dokumentacija nije namijenjena kao zamjena za niti bi se trebala koristiti za određivanje prikladnosti ili pouzdanosti predmetnih proizvoda za konkretne korisničke primjene. Svaki takav korisnik ili integrator dužan je provesti odgovarajuću i potpunu analizu rizika, procjenu i ispitivanje specifičnu primjenu ili uporabu istog. Niti društvo Schneider Electric Industries SAS niti bilo koje od njegovih povezanih poduzeća ili podružnica neće preuzeti obvezu ili snositi odgovornost za pogrešnu upotrebu ovdje sadržanih informacija.

Mounting support	Panel Reversible mounting bracket
Operating altitude	2000 m
Output coupling	Parallel Series
Overvoltage category	II
Meantime between failure [MTBF]	> 100000 h at 40 °C
Status LED	1 LED greenfor output voltage
Product weight	0.97 kg

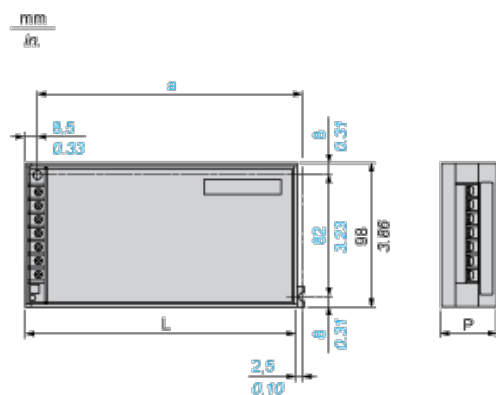
## Okolina

product certifications	CCSAus CSA 22-2 No 60950-1 TUV 60950-1 UL 508 RCM EAC KC
environmental characteristic	EMC conforming to EN 50081-1 EMC conforming to EN 50082-2 EMC conforming to EN 61000-6-3 EMC conforming to EN/IEC 61000-6-2 Safety conforming to EN/IEC 60950-1 Safety conforming to SELV Low frequency harmonic currents conforming to EN/IEC 61000-3-2
IP degree of protection	IP20 conforming to EN/IEC 60950
ambient air temperature for operation	0...45 °C without derating factor 45...60 °C with derating factor
ambient air temperature for storage	-25...85 °C
relative humidity	20...90 %
overvoltage category	Class I conforming to VDE 0106-1
pollution degree	2
dielectric strength	1500 V between input and ground 3000 V between input and output 500 V between output and ground

## Contractual warranty

Warranty period	18 months
-----------------	-----------

## Dimensions



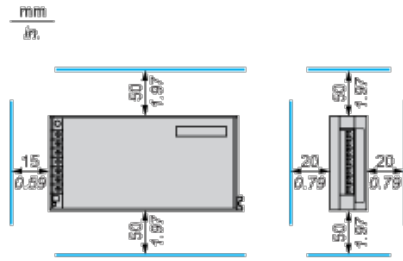
Dimensions in mm

a	L	P
194	200	50

Dimensions in in.

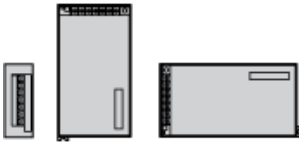
a	L	P

### Clearance



### Mounting Way

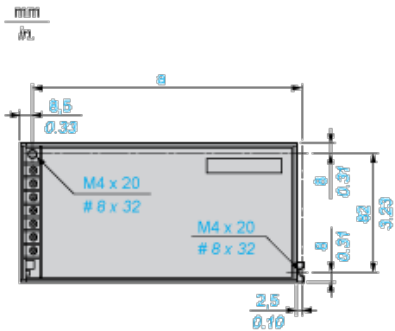
#### Mounting on Vertical Plane



#### Mounting on Horizontal Plane



### Direct Mounting by 2 M4 x 20 Screws



Dimensions in mm

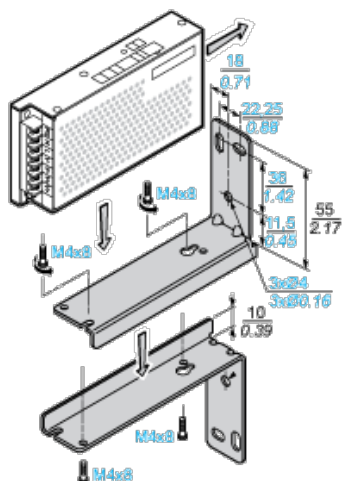
a
194

Dimensions in in

a
7.64

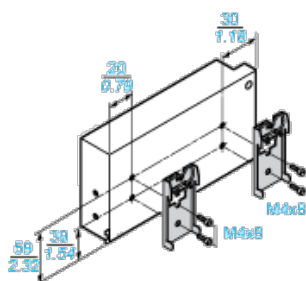
### Mounting on the Back on ABL 1A01 Reversible Bracket by Three 4 mm Diameter Screws

mm  
in.

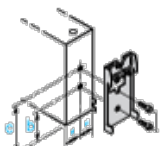


### Mounting on ABL 1A02 Clip-on Mounting on 35 mm Rail

mm  
in.



### Mounting by the Back



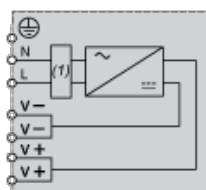
Dimensions in mm

b	c
28	48

Dimensions in in.

b	c
1.10	1.89

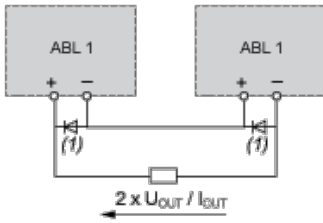
### Internal Wiring Diagram



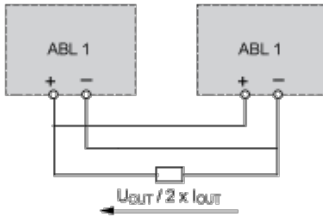
(1) Filter

### Series or Parallel Connection

### Series Connection



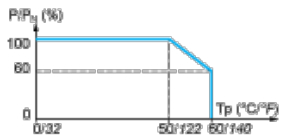
### Parallel Connection



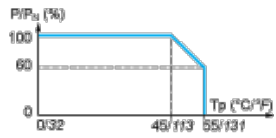
(1) 15 A/100 V Shottky diode

### Derating Curves

#### Mounting on Vertical Plane



#### Mounting on Horizontal Plane



### Load Limits Curve

