

Glavno

Range of product	Modicon Momentum automation platform
Product or component type	Processor
Product compatibility	Modicon STB I/O
Integrated connection type	Ethernet USB port

Komplementarno

Concept	Transparent Ready class B
Web services	Ethernet statistics Home pages CPU status Properties Bandwidth monitoring
Software designation	Unity Pro
Communication service	Modbus TCP I/O Scanner and Messaging Modbus messaging 125 words, 200 I/O message per second Global Data, 1600 I/O message per second
Processor name	Spear 320s
Word length	32 bit
Supply voltage limits	4.75...5.25 V
Clock frequency	333 MHz
Topology	Multidrop Modbus Star Modbus TCP
Communication port protocol	Modbus RS485/RS232 1 RJ45 19200 bps 2-wire Modbus TCP Ethernet 1 RJ45 10/100 Mbps twisted shielded pairs cable CAT 5E UTP
Method of access	Master/slave Client/server
Control parameter	CRC-16 for Modbus CRC-32 for Modbus TCP/IP
Addressing	1...247 Modbus Unique IEEE global address Modbus TCP
Fail state	Safe I/O mode
Memory description	Program memory IEC 3584 kB Program memory LL984 3584 kB
Register words	26048
I/O limit processor capacity	2048 inputs/2048 outputs
Number of devices	32 Modbus
Exact time for 1 Kinstruction	83 ns
Local signalling	1 LED green processor running (RUN) 1 LED green status of Ethernet network (ETH STS) 1 LED red processor or system fault (ERR) 1 LED green data rate (ETH LINK) 1 LED red I/O module fault (I/O) 1 LED yellow channel 0 operating (CH0) 1 LED green data rate (ETH 100)
Marking	CE
Current consumption	500 mA at 5 V DC

Module format	Standard
Product mounting	35 mm symmetrical DIN rail
Height	60.6 mm
Width	144 mm
Depth	53.47 mm
Product weight	0.163 kg

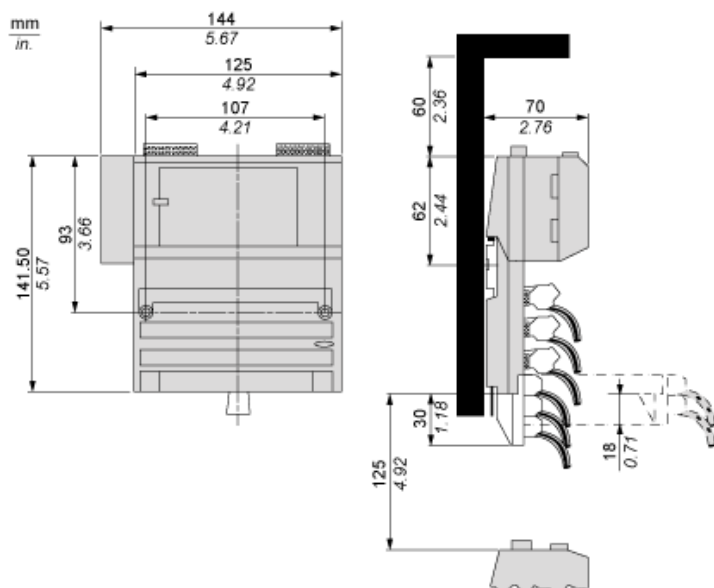
Okolina

material	Lexan
dielectric strength	0 V not isolated RS485/RS232 5000 V for 1 minute Ethernet
product certifications	C-Tick FM
standards	CSA C22.2 No 142 EN/IEC 61131-2 UL 508
IP degree of protection	IP20
shock resistance	15 gn during 11 ms sinusoidal vibrations
resistance to electrostatic discharge	6 kV contact conforming to EN/IEC 61131-2 zone B 6 kV contact conforming to IACS E10 8 kV on air conforming to EN/IEC 61000-4-2
resistance to electromagnetic fields	15 V/m 80...2700 MHz conforming to EN/IEC 61000-4-3
ambient air temperature for operation	0...60 °C
ambient air temperature for storage	-40...85 °C
relative humidity	5...96 %
operating altitude	<= 2000 m

Offer Sustainability

Green Premium product	Green Premium product
Compliant - since 1623 - Schneider Electric declaration of conformity	Compliant - since 1623 - Schneider Electric declaration of conformity
Reference not containing SVHC above the threshold	Reference not containing SVHC above the threshold
Available	Available
Available	Available

Processor and Option Adapter on a Typical Base



Mounting on a Wall

