



Glavno

Range of product	Modicon Momentum automation platform
Product or component type	Discrete relay I/O base AC
Group of channels	1 group of 10 inputs 2 groups of 4 outputs
Discrete input number	10 IEC 1131-2 Type 1
Discrete input logic	Positive
Discrete input voltage	24...230 V AC
Discrete output number	8
Discrete output type	Relay normally open
Discrete output voltage	24...230 V AC
Protective treatment	TC

Komplementarno

[Us] rated supply voltage	120 V AC
Input voltage limits	- 3...30 V
Voltage state 0 guaranteed	-3...5 V
Voltage state 1 guaranteed	11...30 V
Current state 0 guaranteed	<= 1.2 mA
Current state 1 guaranteed	>= 2.5 mA
Input resistance	4 kOhm
Discrete output current	<= 0.15 mA 115 V inductive <= 0.5 mA 115 V resistive <= 1 mA 24 V inductive <= 2 mA 24 V resistive >= 0.005 A 24 V
Output overload protection	External by varistor in parallel with each contact
Output short-circuit protection	External by varistor in parallel with each contact
Mechanical durability	<= 30000000 cycles
Electrical durability	<= 100000 cycles inductive
Response time	2.2 ms from state 0 to state 1 on input 3.3 ms from state 1 to state 0 on input 10 ms 60 Hz from state 0 to state 1 on output 10 ms 60 Hz from state 1 to state 0 on output
Isolation between output channels group	1780 V AC
Isolation between group of I/O channels	1780 V AC
Isolation between channels and bus	500 V AC
Power dissipation	<= 8.5 W 5.5 W
Protection type	Without protection
Associated fuse rating	4 A fast blow operating voltage
Marking	CE
Terminals description PLC n°1	(1)IN_DIS#1 (10)IN_DIS#10 (2)IN_DIS#2 (3)IN_DIS#3 (4)IN_DIS#4 (5)IN_DIS#5 (6)IN_DIS#6 (7)IN_DIS#7

Informacije dane u ovoj dokumentaciji sadrže opće opise i/ili tehničke karakteristike o performansama ovdje sadržanih proizvoda. Ova dokumentacija nije namijenjena kao zamjena za niti bi se trebala koristiti za određivanje prikladnosti ili pouzdanosti predmetnih proizvoda za konkretne korisničke primjene. Svaki takav korisnik ili integrator dužan je provesti odgovarajuću i potpunu analizu rizika, procjenu i ispitivanje proizvoda u odnosu na odgovarajuću specifičnu primjenu ili uporabu istog. Niti društvo Schneider Electric Industries SAS niti bilo koje od njegovih povezanih poduzeća ili podružnica neće preuzeti obvezu ili snositi odgovornost za pogrešnu upotrebu ovdje sadržanih informacija.

(8)IN_DIS#8
(9)IN_DIS#9
(L1)PW
(N)PW
TB

Terminals description PLC n°2	(1)OUT_DIS#1 (1L+)PW (2)OUT_DIS#2 (2L1)PW (3)OUT_DIS#3 (4)OUT_DIS#4 (5)OUT_DIS#5 (6)OUT_DIS#6 (7)OUT_DIS#7 (8)OUT_DIS#8 TB_1
Current consumption	5 mA 120 V AC
Depth	47.5 mm
Height	141.5 mm
Width	125 mm
Product weight	0.26 kg

Okolina

product certifications	CSA FM Class 1 Division 2 UL
resistance to electrostatic discharge	4 kV contact IEC 801-2 8 kV on air IEC 801-2
resistance to electromagnetic fields	10 V/m 80...1000 MHz IEC 801-3
ambient air temperature for operation	0...60 °C
ambient air temperature for storage	-40...85 °C
relative humidity	95 % without condensation
operating altitude	<= 5000 m

Offer Sustainability

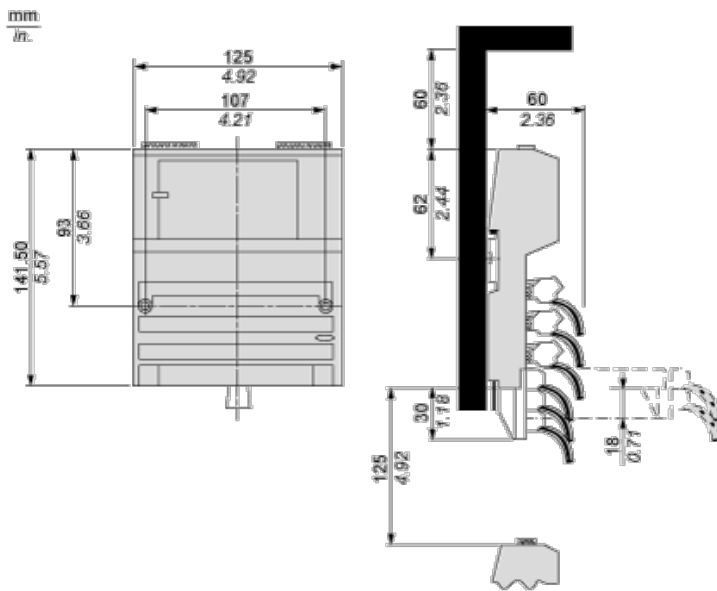
Green Premium product	Green Premium product
Compliant - since 1350 - Schneider Electric declaration of conformity	Compliant - since 1350 - Schneider Electric declaration of conformity
Reference not containing SVHC above the threshold	Reference not containing SVHC above the threshold
Available	Available
Available	Available

Contractual warranty

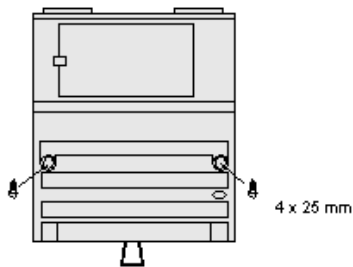
Warranty period	18 months
-----------------	-----------

Standard Adapter on a Typical Base

Dimensions

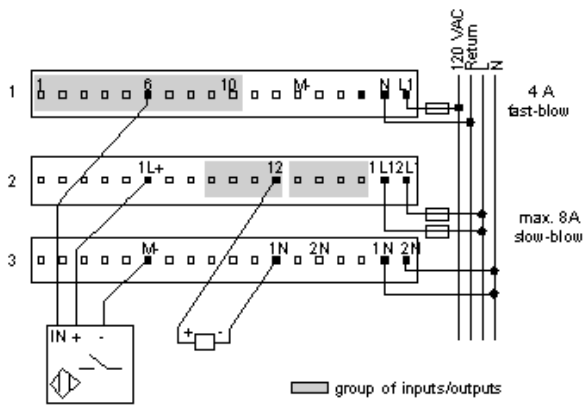


Mounting on a Wall

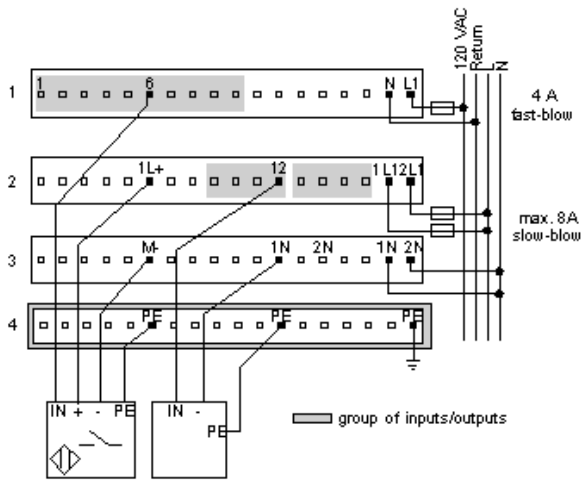


External Wiring Diagrams

3-Wire Sensor with a 2-Wire Actuator



4-Wire Sensor with a 3-Wire Actuator



Internal Pin Connections

Rows 1 through 3 show the internal connections between terminals on the I/O base. Row 4 shows the internal connections on the optional busbar.

