



### Glavno

Range of product	Modicon Momentum automation platform
Product or component type	Analogue, discrete I/O base
Group of channels	1 group of 4 analog outputs 1 group of 6 analog inputs 1 group of 8 discrete outputs 2 groups of 4 discrete inputs
Analogue input range	0...10 V
Analogue input type	Single ended
Analogue input resolution	14 bits 0...10 V
Discrete input voltage	24 V DC
Analogue output range	0...10 V 14 bits
Discrete output voltage	10...30 V
Output short-circuit protection	With discrete output
Output overload protection	With discrete output

### Komplementarno

Discrete input number	8 IEC 1131-2 Type 2
[Us] rated supply voltage	24 V 19.2...30 V DC
Analogue input voltage	<= 15 V
Input voltage limits	3...32 V
Discrete input logic	Positive
Voltage state 0 guaranteed	<= 5 V discrete input
Voltage state 1 guaranteed	>= 11 V discrete input
Current state 0 guaranteed	<= 2 mA discrete input
Current state 1 guaranteed	>= 6 mA discrete input
Input overvoltage protection	45 V 10 s discrete input
Input resistance	> 1 MOhm analogue input circuit
Output load	>= 2 kOhm 0...10 V analogue output
Conversion time	<= 0.75 ms analogue input circuit 1.2 ms analogue output
Conversion error	+/- 0.4 % 0...10 V 25 °C analogue output 0,002 0...10 V 25 °C analogue input circuit
Fail state	Hold analogue output Reset to zero analogue output
Discrete output type	Transistor
Discrete output logic	Positive
Discrete output current	2 A per group 2 A per module 0.25 A per point
Leakage current	< 0.4 mA DC 30 V discrete output
Voltage drop	< 0.4 V 0.25 A at state on discrete output
Surge current	2.5 A 1 ms discrete output
Response time	1.05 ms from state 1 to state 0 discrete output 1.2 ms from state 0 to state 1 discrete input 1.2 ms from state 0 to state 1 discrete output 1.2 ms from state 1 to state 0 discrete input
Isolation voltage	500 V 1 min between analogue I/O and operating voltage 500 V 1 min between operating voltage and I/O from ground
Power dissipation in W	<= 6 W

Informacije dane u ovoj dokumentaciji sadrže opće opise i/ili tehničke karakteristike o performansama ovdje sadržanih proizvoda. Ova dokumentacija nije namijenjena kao zamjena za niti bi se trebala koristiti za određivanje prikladnosti ili pouzdanosti predmetnih proizvoda za konkretne korisničke primjene. Svaki takav korisnik ili integrator dužan je provesti odgovarajuću i potpunu analizu rizika, procjenu i ispitivanje proizvoda u odnosu na odgovarajuću specifičnu primjenu ili uporabu istog. Niti društvo Schneider Electric Industries SAS niti bilo koje od njegovih povezanih podružnica neće preuzeti obvezu ili snositi odgovornost za pogrešnu upotrebu ovdje sadržanih informacija.

Marking	CE
Local signalling	4 LEDs channel status
Electrical connection	2 connectors for removable terminal blocks
Current consumption	400 mA 24 V DC
Depth	47.5 mm
Height	125 mm
Width	141.5 mm
Product weight	0.24 kg

## Okolina

product certifications	CSA UL
protective treatment	TC
resistance to electrostatic discharge	4 kV contact IEC 801-2 8 kV on air IEC 801-2
resistance to electromagnetic fields	10 V/m 80...1000 MHz IEC 801-3
ambient air temperature for operation	0...60 °C
ambient air temperature for storage	-40...85 °C
relative humidity	95 % without condensation
operating altitude	<= 5000 m

## Offer Sustainability

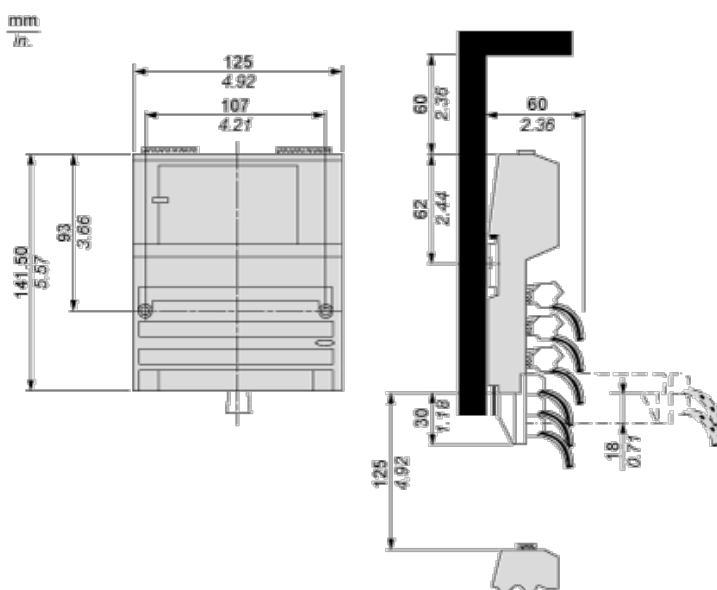
Green Premium product	Green Premium product
Compliant - since 1350 - Schneider Electric declaration of conformity	Compliant - since 1350 - Schneider Electric declaration of conformity
Reference not containing SVHC above the threshold	Reference not containing SVHC above the threshold
Available	Available
Available	Available

## Contractual warranty

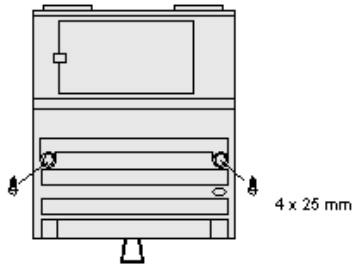
Warranty period	18 months
-----------------	-----------

## Standard Adapter on a Typical Base

### Dimensions

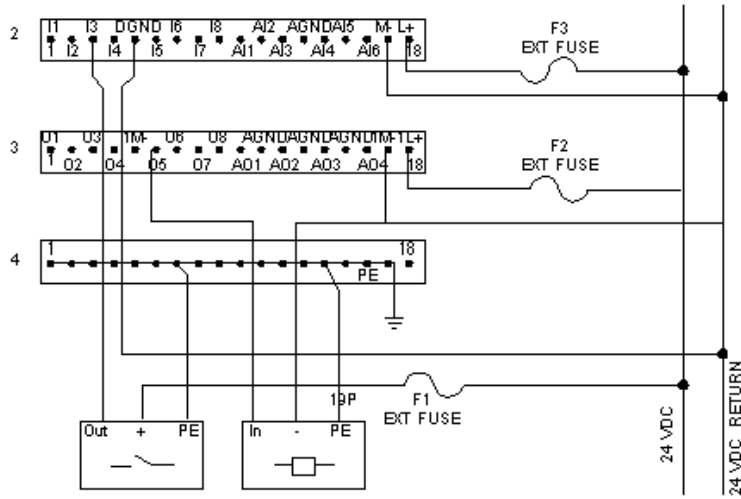


## Mounting on a Wall



## External Wiring Diagrams

### Discrete I/O Devices

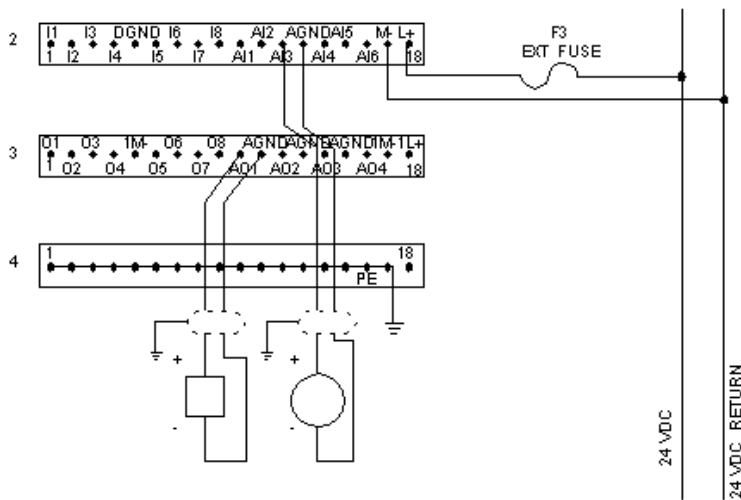


F1, 1 A fuse

F3

F2 2.5 A fuse

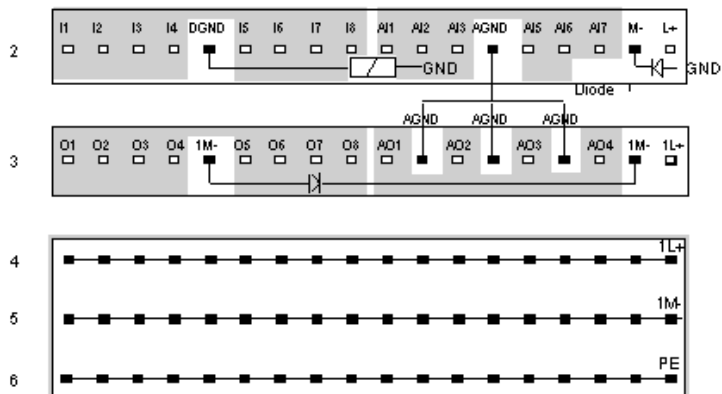
### Analog I/O Devices



F3 1 A fuse

### Internal Pin Connections

Rows 2 and 3 show the internal connections between terminals on the I/O base. Rows 4 through 6 show the internal connections on the optional busbar.



NOTE: AGND and DGND are separated inside the module. External digital inputs must be returned to the DGND terminal. External analog circuits must be returned to AGND terminals.