

170AEC92000

Modicon Momentum - baza modula brzog brojača - 6
U / 4 I



Glavno

Range of product	Modicon Momentum automation platform
Product or component type	High speed counter module base
Group of channels	2 groups of 2 discrete outputs 2 groups of 3 discrete inputs
Number of counter	2
Discrete input number	6
Discrete output number	4

Komplementarno

Discrete input logic	Positive
Discrete input voltage	- 3...30 V DC 24 V DC
Input overvoltage protection	45 V 10 s
Voltage state 1 guaranteed	>= 11 V
Voltage state 0 guaranteed	<= 5 V
Current state 1 guaranteed	>= 2.5 mA
Current state 0 guaranteed	<= 1.2 mA
Discrete output logic	Positive
Discrete output voltage	24 V
Discrete output current	1 A per counter 2 A per module 0.5 A per point
Voltage drop	< 0.5 V 0.5 A at state on
Leakage current	< 1 mA DC 24 V
Surge current	5 A 1 ms
Response time	< 0.1 ms from state 0 to state 1 output circuit < 0.1 ms from state 1 to state 0 output circuit 3 ms from state 0 to state 1 input circuit 3 ms from state 1 to state 0 input circuit
Counting input type	Absolute SSI up, down with 4 sub-modes Incremental up, down, quadrature
Counting input voltage	24 V single ended 5 V differential
Counting frequency	<= 10 kHz single ended <= 200 kHz differential
Counter inputs resolution	24 bits + sign
Counter configuration	Via comm adapter
Marking	CE
Electrical connection	2 connectors for removable terminal blocks
Current consumption	280 mA 24 V DC
Product weight	0.21 kg

Okolina

product certifications	CSA UL
protective treatment	TC

Informacije dane u ovoj dokumentaciji sadrže opće opise i/ili tehničke karakteristike o performansama ovdje sadržanih proizvoda. Ova dokumentacija nije namijenjena kao zamjena za niti bi se trebala koristiti za određivanje prikladnosti ili pouzdanosti predmetnih proizvoda za konkretne korisničke primjene. Svaki takav korisnik ili integrator dužan je provesti odgovarajuću i potpunu analizu rizika, procjenu i ispitivanje proizvoda u odnosu na odgovarajuću specifičnu primjenu ili uporabu istog. Niti društvo Schneider Electric, Industries SAS niti bilo koje od njegovih povezanih poduzeća ili podružnica neće preuzeti obvezu ili snositi odgovornost za pogrešnu upotrebu ovdje sadržanih informacija.

resistance to electrostatic discharge	4 kV contact IEC 801-2 8 kV on air IEC 801-2
resistance to electromagnetic fields	10 V/m 80...1000 MHz IEC 801-3
ambient air temperature for operation	0...60 °C
ambient air temperature for storage	-40...85 °C
relative humidity	95 % without condensation
operating altitude	<= 5000 m

Offer Sustainability

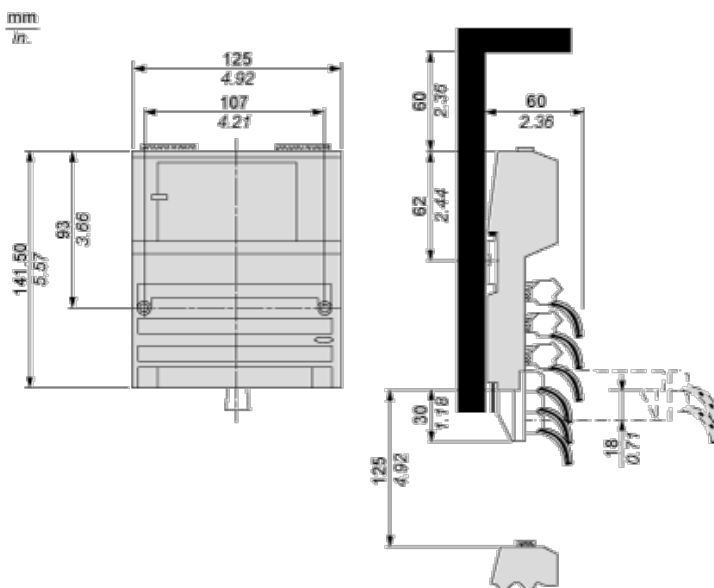
Green Premium product	Green Premium product
Compliant - since 1039 - Schneider Electric declaration of conformity	Compliant - since 1039 - Schneider Electric declaration of conformity
Reference not containing SVHC above the threshold	Reference not containing SVHC above the threshold
Available	Available
Available	Available

Contractual warranty

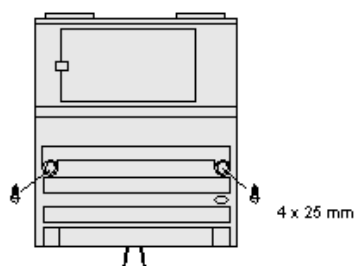
Warranty period	18 months
-----------------	-----------

Standard Adapter on a Typical Base

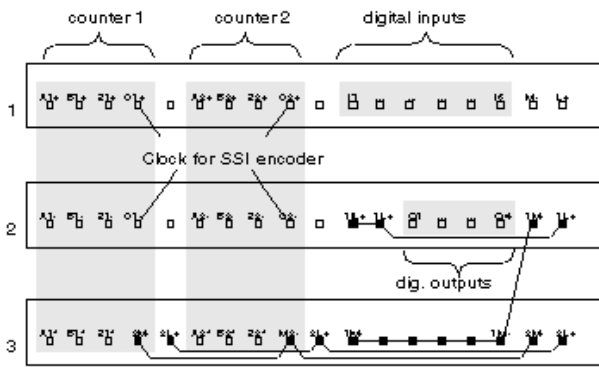
Dimensions



Mounting on a Wall

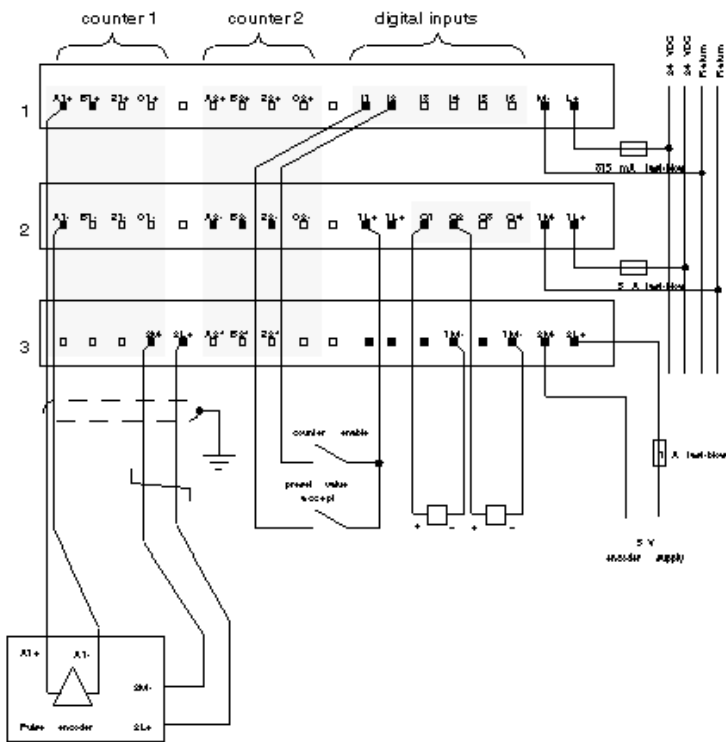


Internal Pin Connections

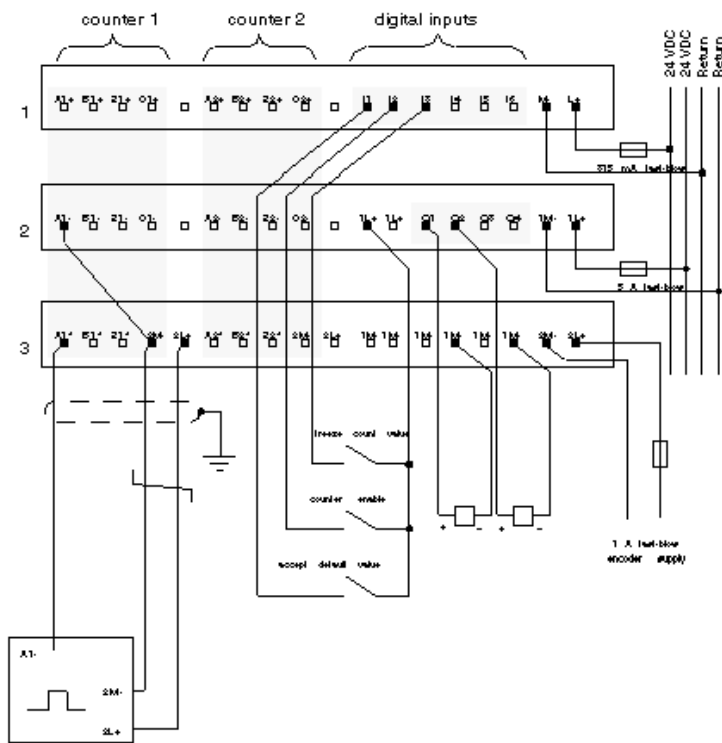


External Wiring Diagrams

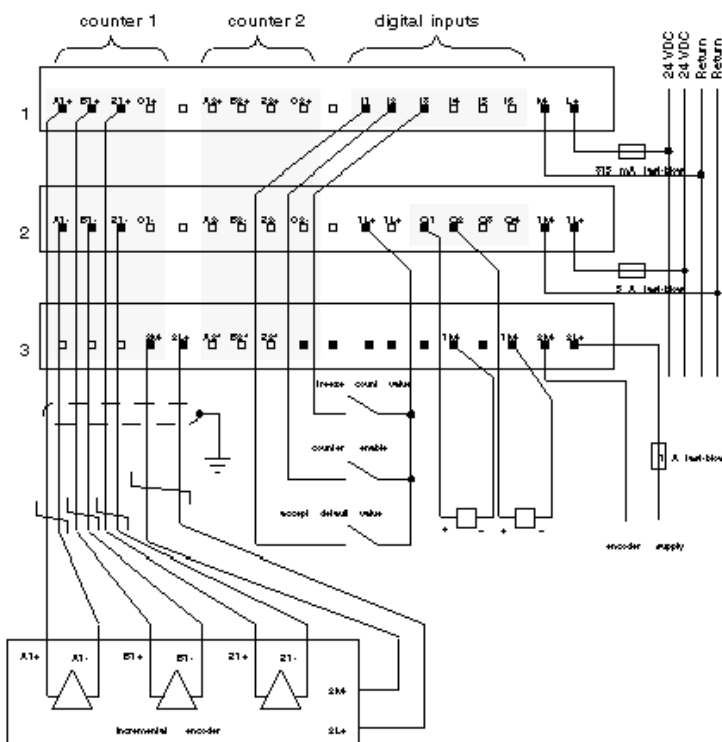
Example for Pulse Encoder (5 V)



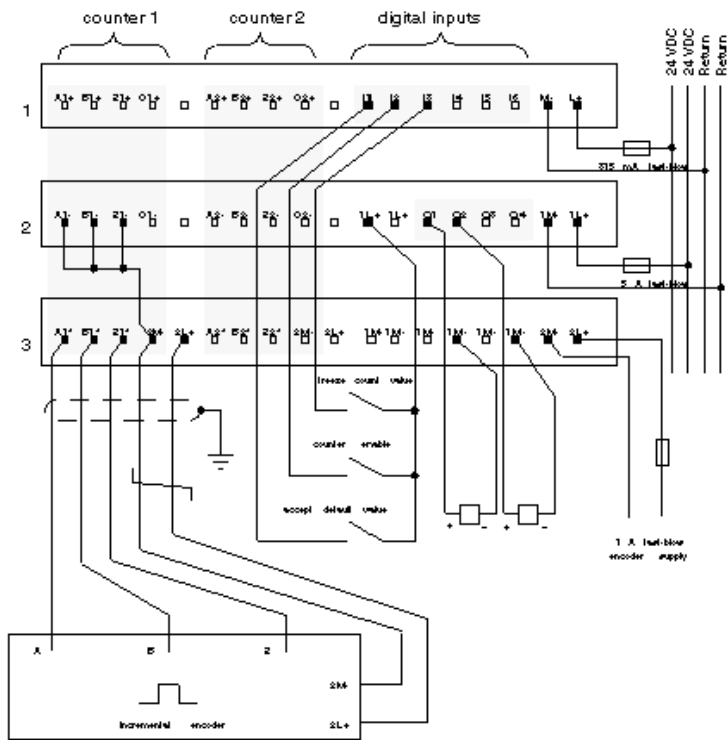
Example for Pulse Encoder (24 V)



Example for Incremental Encoders (RS 422)



Example for 24 V Pulse Encoder on A, B, and R Lines



Example for Absolute Encoders with Actuators

